

VICTAULIC

Fire Protection Systems





More than 80 years of piping systems solutions

Victaulic® innovation began in 1925 with the first grooved-end mechanical pipe joining technology. In 1952, Victaulic released the first approved coupling for fire protection services. Today, Victaulic technology includes a complete offering of sprinklers, couplings, fittings, valves, accessories and tools to meet the needs of any fire protection application.

Every person at Victaulic is dedicated to providing the most innovative technologies and the fastest, most dedicated service in the industry to ensure product is available where and when you need it.



Innovation

Built into every FireLock® system are innovative features aimed to optimize system design and shorten installation hours. As an example, the FireLock EZ™ coupling eliminates loose parts which results in faster installation times.

Productivity

The Victaulic brand is synonymous with mechanical piping innovation. Innovation that provides better performance, easier installations, and a product line that is unmatched in the industry.

The result? You work smarter and more productively while delivering the reliability and performance your customers demand.





Efficiency

Ask your local sales representative about the many ways you can save time and resources by specifying genuine FireLock products for your system, from couplings to sprinklers to valves. Or by making use of some of our tools and accessories to help simplify your scheduled maintenance calls and service checks.

By specifying and installing Victaulic FireLock systems, your business is poised to become more profitable. Our labor-saving innovations and on-site project assistance combine to help your crew work more efficiently.

table of contents

- 1-2 **Global Solutions**
- 1-4 **System Solutions Guide**
- 1-6 **Fire Protection Innovations**
- 2-1 **Design Data**
- 3-1 **Couplings**
- 4-1 **Fittings**
- 5-1 **Hole Cut Piping System**
- 6-1 **Valves and Accessories**
- 7-1 **FireLock Automatic Devices and Accessories**
- 8-1 **FireLock Automatic Sprinklers**
- 9-1 **Specialty Products**
- 10-1 **Pipe Preparation Tools**
- 11-1 **Product Index**
- 12-1 **Applications**



Piping. Systems. Solutions.



Global Solutions

A world of applications at work

Our solutions are truly global.

Victaulic piping systems solutions are found in some of the world's most stunning and challenging engineering projects – buildings that arguably “push the design and construction envelope.”

Custom solutions for demanding challenges

Whether new construction or retrofit, Victaulic delivers a level of versatility unmatched in mechanical piping systems technology for today's engineering marvels.

Victaulic solutions provide superior design flexibility, the ability to accommodate seismic moments, noise and vibration attenuation, system access, system scalability, installation-friendly products and service, and more.

Projects spanning the globe

The projects illustrated here are just a few of the many buildings around the world for which Victaulic has provided innovative piping solutions.

For additional information on these and many other projects around the world, please visit www.victaulic.com.



UNITED STATES
Bellagio Casino



EGYPT
Alexandria Library



CHINA
Jin Mao Tower



GERMANY
Sony Center



CANADA
Adobe Tower



AUSTRALIA
Sydney Olympic Stadium



- UNITED STATES
- EUROPE
- MIDDLE EAST
- CANADA
- CENTRAL AND SOUTH AMERICA
- ASIA
- AUSTRALIA AND NEW ZEALAND

Typical System Solutions*

Fire Protection Systems Solutions

Use this convenient guide to select the Victaulic product or system solution most appropriate for your next fire protection project.

We have selected a few building types for which Victaulic fire protection products are typically specified. Not all are listed here. Consult your Victaulic sales representative for additional information.



BUILDING TYPE	RESIDENTIAL MULTI-STORY	PARKING GARAGE
System Goal	Life safety	Property protection
Considerations	Need maximum coverage in multi-floor, multi-unit living space	Multi-level structure that is prone to freezing and exposed to flammable fuels in automobiles
Recommended coupling/fitting piping system	FireLock couplings, fittings, and valves	FireLock couplings, fittings, and valves
Recommended device type	Series 751 alarm valves, Series 717/717R check valves	FireLock NXT Series 768 dry valves@
Recommended sprinkler type	Quick response commercial and residential recessed pendent and horizontal sidewall sprinklers	Upright extended coverage, ordinary hazard (ECOH)
Recommended sprinkler finishes/coatings	White, chrome, or custom-painted	Brass or proprietary nickel/Teflon ‡

* This solutions guide is a representative example of typical Victaulic fire protection applications.

@ In areas that do not experience freezing conditions the Series 751 alarm valves can be used.



INDUSTRIAL PLANT	MUSEUM	WAREHOUSE STORAGE (UNHEATED)	RESIDENTIAL (SINGLE FAMILY)
Provide maximum coverage to suppress fires quickly, eliminate risk of catastrophic event	Protect scientifically or historically significant artifacts, paintings, etc.	Provide maximum protection in large storage areas	Provide maximum protection for personal safety
Presence of multiple types of flammables	Archival areas need special care, minimize risk of damage to property	Freezing temperatures in unheated spaces, tall ceilings, high flows at low pressure required	Install system that accommodates low water pressure and pleasing aesthetics
FireLock couplings, fittings, and valves	FireLock couplings, fittings, and valves	FireLock couplings, fittings, and valves	FireLock couplings, fittings, and valves
FireLock NXT Series 769 deluge valves	FireLock NXT Series 769 preaction valves	FireLock NXT Series 768 dry valves	FireLock Series 717/717R check valves
Open Spray, Deluge	Quick response, recessed or concealed pendent	LP-46 low pressure pendent and upright, ESFR pendent, horizontal sidewall, upright or intermediate	Residential recessed pendent, sidewall or concealed pendent
Brass or nickel/Teflon [†]	Brass, chrome, or custom-painted cover plate	Brass or nickel/Teflon [‡] plate	White, chrome, or custom-painted

[†] Teflon is a registered trademark of Dupont Corporation.



Fire Protection Innovations

A constant flow of innovation since 1925

Founded in 1925 on the basis of marketing a single product called the “Victory Joint,” the Victaulic name comes from joining the words “victory” and “hydraulics” together. Used in World War I to provide fuel and water to the front, Victaulic products have evolved into the most innovative systems for joining pipe.

1925

1950

1925 Introduced grooved end pipe joining to the U.S.

1926

1927

1928

1929

1930 AWWA products introduced for underground services

1931

1932

1933

1934

1935

1936

1937

1938

1939

1940

1941

1942

1943

1944

1945

1946 Vic-Groover® cut grooving tools and Style 99 Roust-A-Bout® plain end coupling introduced

1947

1948

1949



1950

1951

1952 First grooved-end coupling to achieve UL listing

1953

1954

1955

1956

1957 Introduced roll grooving to the industry

1958

1959

1960

1961

1962 Introduced first production roll groover

1963

1964 FlushSeal® gasket developed for dry systems

1965

1966 First adjustable field cut grooving tool

1967

1968

1969 First outlet coupling and first direct flanged-to-grooved adapter

1970

1971

1972 Pioneered & achieved UL Approval of roll grooving for 0.188 lightwall pipe

1973

1974 First grooved coupling for reducing on-the-run connections





ROLL GROOVING GREATLY REDUCES GROOVING TIMES

The hallmark of Victaulic product development is finding faster, easier and better ways to join pipe, and in the 1950's, it led to one of the most significant concepts the company ever developed – roll grooving. By introducing this patented solution, Victaulic brought the efficiencies of the grooved coupling out of the realm of heavy wall pipe and into the lighter wall and smaller diameters used in such vital applications as fire protection.

1957

1975



1975 First bolted mechanical branch connection; Vic hole cutting tool; Vic-Check check valve

1976
1977

Introduced FIT – First locking lug assembly system for small diameter pipe, no threading needed



1978 Vic-Tap – First positive location, full port hot tapping device with UL Listing

1979
1980
1981
1982



1983 Zero-Flex, the first rigid grooved coupling, using angle-pad design

1984



1985 Series 718/719 TestMaster – First alarm test module combining 24 field assembled parts into one factory assembled unit

1986



1986 First rubber coated disc butterfly valve with grooved ends designed specifically for fire protection

1987



1988 Style 005 FireLock coupling – First rigid grooved end coupling designed specifically for fire protection services

1989



1990 FireLock Fittings – First CAD designed, high flow efficiency, short radius grooved end fittings for fire protection

1991



1991 Pressfit System – First IPS imperial size pressed fitting system

1992



1993 In-place roll groover for grooving previously installed pipe; Portable, easy set-up, retrofit hole cutting tool

1994



1994 717 FireLock Check Valve – First extended body swing; check design, grooved end check valve for fire protection

Introduced 717-R FireLock Check, with a riser kit

Enhanced tracking rolls for "hands off" grooving

1995



1995
1996
1997

1998 FireLock line of devices – engineered to be the lightest, most compact devices designed to date

1999 FireLock line of automatic sprinklers

2000
2001
2002



2003 Introduced V36 dry fire sprinklers with UL listing

2004



Patented

2005 Introduced FireLock EZ – first rigid coupling designed as a lightweight, installation ready coupling with no loose parts

2005



2006 Introduced FireLock NXT valve line with a single set point for all dry, deluge and preaction services

2006



2007 Expanded FireLock NXT product line with Series 7C7 compressor package

2008 Introduced LP-46 Low-Pressure Storage Pendant Sprinkler

2009

Design Data

Introduction

This Victaulic Fire Protection Catalog provides general information on mechanical piping methods and Victaulic products for fire protection systems. For the latest and most up-to-date information, always consult the individual product submittals provided on the Victaulic web site. This catalog is organized to provide information in the context and form most readily usable. For easy identification of major sections of interest, see the condensed table of contents on pg. 1-1, for a fully detailed index, see pg. 11-1. For more detailed design guidelines, consult Design Data, Publication 26.01.

Important Information

Victaulic has developed, in over 80 years in mechanical piping, variations of piping practice for use on a wide variety of piping materials.

Victaulic standard grooved pipe couplings are designed for use with pipe grooved to meet Victaulic groove specifications and Victaulic grooved end fittings, valves, and related grooved end components only. They are not intended for use with plain end pipe and/or fittings. Victaulic plain end couplings are designed for use only with plain end or beveled end steel pipe (unless otherwise indicated) and Victaulic plain end fittings. **Victaulic plain end couplings must not be used with grooved end threaded pipe and/or fittings.**

Pipe must be prepared to meet Victaulic specifications outlined for each specific product style. Performance data listed herein is based on proper pipe preparation. The proper gasket must be selected for the service intended. **It should be noted that there are various services for which Victaulic gaskets are not recommended. Reference should always be made to the latest Victaulic Gasket Selection Guide (request publication 05.01) for specific gasket service recommendations and for a listing of services which are not recommended. Gaskets for Victaulic products always must be lubricated for proper assembly.** Gasket lubricant must meet manufacturer's specifications. Thorough lubrication of the gasket exterior, when required, including the lips and/or pipe ends and housing interiors, is essential to prevent gasket pinching. Lubrication assists proper gasket seating and alignment during installation.

Victaulic FireLock devices require proper set up and maintenance. Always refer to the latest manual included with each valve for details.

When installing Victaulic FireLock automatic sprinklers it is important to select the proper wrench for installation. A complete guide for proper installation of Victaulic automatic sprinklers is available by requesting publication I-40.

Victaulic has a complete line of tools for preparing pipe to Victaulic specifications. Use of these tools is recommended in preparing pipe to receive Victaulic products. Always read and understand the Tool Operating Instructions supplied with every Victaulic tool prior to using any tools. All data contained herein, is subject to change without notice.

All rights reserved. No part of this Victaulic catalog may be reproduced, stored in a retrieval system, or transmitted, in any form or by any means, electronic, mechanical, photocopy, recording or otherwise, without the prior written permission of Victaulic.

© Copyright 2009, Victaulic Company.

® Registered trademark of Victaulic Company.

Design Data

Notice

The technical and performance data, weights, dimensions and specifications published are current as of the date of publication. For the most up-to-date information visit the Victaulic web site for detailed specific product submittal information.

Victaulic maintains a policy of continual product improvement and, therefore, reserves the right to change product specifications, designs, and standard equipment without notice and without incurring obligation.

For the most up-to-date Victaulic product information, please visit www.victaulic.com.

The material presented in this catalog is intended for piping design reference in utilization of Victaulic products for their intended application. It is not intended as a substitute for competent, professional assistance which is an obvious requisite to any specific application.

Design

Reference should always be made to design information available at no charge on request from Victaulic. Good piping practices should always prevail. Specific pressures, temperatures, external or internal loads, performance standards and tolerances must never be exceeded. Many applications require recognition of special conditions, code requirements and use of safety factors. Qualified engineers must make these decisions.

While every effort has been made to ensure its accuracy, Victaulic, its subsidiaries and affiliated companies, make no express or implied warranty of any kind respecting the information contained in this catalog or the material referred to herein.

Anyone making use of the information or material contained herein does so at their own risk and assumes any and all liability resulting from such use.

Installation

Reference should always be made to the specific Victaulic Field Installation Handbook for the product you are installing. The following is a list of handbooks that can be requested for free from Victaulic:

- I-40 FireLock Automatic Sprinklers
- I-100 General Handbook
- I-300 AWWA Product Handbook
- I-500 Pressfit System Handbook
- I-600 Copper Products Handbook
- I-751 FireLock Alarm Valve Manual
- I-759 FireLock Alarm Valve Manual
- I-768 FireLock NXT Dry Valve Manual
- I-769D FireLock NXT Deluge Valve Manual
- I-769P FireLock NXT Preaction Valve Manual
- I-900 HDPE Products Handbook

Handbooks are included with each shipment of Victaulic products for complete installation and assembly data, and are available in PDF format on our website at www.victaulic.com.

Design Data

Global Pipe Size Designations

Victaulic product data is utilized worldwide and all technical data is shown in both imperial (U.S.) and metric terms. The following chart shows a comparison between typical metric and IPS pipe sizes.

Imperial Inches – Size Group	Outside Diameter mm/Spec Ref	DIN mm	JIS mm	ANSI inches	China Standard (GB) mm
1/2	21.3 mm	15	15 A/21.7 mm	1/2	15*/21.3 mm
3/4	26.7 mm	20/26.9 mm	20 A/27.2 mm	3/4	20*/26.9 mm
1	33.4 mm	25/33.7 mm	25 A/34 mm	1	25*/33.7 mm
1 1/4	42.2 mm	32/42.4 mm	32 A/42.7 mm	1 1/4	32*/42.4 mm
1 1/2	48.3 mm	40	40 A/48.6 mm	1 1/2	40*/48.3 mm
2	60.3 mm	DN & ISO 50	50 A/60.5 mm	2	50*/60.3 mm
2 1/2	73.1 mm	—	—	2 1/2	—
3	76.1 mm DIN/ISO (3 OD)	DN & ISO 65	65 A/76.3 mm	—	65*/76.1 mm
	88.9 mm	DN & ISO 80	JIS 80 A	3	80*/88.9 mm
4	108 mm China and old DIN	DIN 108 mm	—	—	108 mm
	114.3 mm	DN & ISO 100	JIS 100 A	4	100*/114.3 mm
5	133 mm China and old DIN	DIN 133 mm	—	—	133 mm
	139.7 mm DIN/ISO (5.5 OD)	DN & ISO 125	125 A/139.8 mm	—	125*/139.7 mm
	141.3 mm	—	—	5	—
6	159 mm China and old DIN	DIN 159 mm	—	—	159 mm
	165.1 mm JIS (6.5 OD)	—	150 A/165.2 mm	—	—
	168.3 mm	DN & ISO 150	—	6	150*/168.3 mm
8	216.3 JIS	—	JIS 200 A	—	—
	219.1 mm	DN 200	—	8	219.1 mm
10	267.4 JIS	—	JIS 250 A	—	—
	273 mm	DN 250	—	10	273 mm
12	318.5 JIS	—	JIS 300 A	—	—
	323.9 mm	DN 300	—	12	323.9 mm

IMPORTANT NOTE:

Nominal designations are used where the actual OD of the pipe matches the ANSI size. Otherwise both the nominal and actual OD are listed. China sizes are listed as actual OD in mm. China sizes in orange are tubing sizes.

* Nominal sizes for China standard pipe.

Design Data

Imperial (U.S.)/Metric Conversion Chart

This chart is provided as a guide for converting imperial and metric measurements provided within this catalog.

Convert Imperial (U.S.) to Metric				Convert Metric to Imperial (U.S.)		
25.4	×	Inches (In.)	↔	Millimeters (mm)	×	0.03937
0.3048	×	Feet (Ft.)	↔	Meters (m)	×	3.281
0.4536	×	Pounds (Lbs.)	↔	Kilograms (kg)	×	2.205
28.35	×	Ounces (Oz.)	↔	Grams (g)	×	0.03527
6.894	×	Pressure (psi)	↔	Kilopascals (kPa)	×	0.145
.069	×	Pressure	↔	Bar	×	14.5
4.45	×	End Load (Lbs.)	↔	Newtons (N)	×	0.2248
1.356	×	Torque (Lb. Ft.)	↔	Newton Meters (N•m)	×	0.738
$F - 32 \div 1.8$		Temp. (°F)	↔	Celsius (°C)		$C + 17.78 \times 1.8$
745.7	×	Horsepower (hp)	↔	Watts (w)	×	1.341×10^3
3.785	×	Gal. per Min. (GPM)	↔	Liters per min. (L/M)	×	0.2642
3.7865	×	10^{-3} Gal. per Min. (GPM)	↔	Cubic Meters per min. (m3/m)	×	264.2

Couplings

- Victaulic, the originator and innovator of grooved coupling technology, offers a variety of coupling sizes and styles for fire protection piping systems
- Victaulic developed the first UL Listed coupling in 1952 and continues to develop products that allow for faster and easier joining of pipe
- New product development continued with the introduction of the Style 009 FireLock EZ coupling—this installation ready, patented coupling eliminates the need for disassembling and reassembling components during installation



FireLock EZ® Rigid Coupling

STYLE 009, PG. 3-3



STYLE 009V, PG. 3-3



FireLock Rigid Coupling

STYLE 005, PG. 3-4



Zero-Flex® Rigid Coupling

STYLE 07, PG. 3-5



Standard Flexible Coupling

STYLE 77, PG. 3-6



Flexible Coupling

STYLE 75, PG. 3-7



Reducing Coupling

STYLE 750, PG. 3-8







GENERAL NOTES:

Working Pressure and **End Load** are total, from all internal and external loads, based on standard weight steel pipe, standard **roll** or **cut** grooved in accordance with Victaulic specifications. Contact Victaulic for performance on other pipe.

Warning: For one time field test only, the Maximum Joint Working Pressure may be increased to 1½ times the figures shown. **For specific pressure ratings by product, consult the individual product submittal publications.**

Allowable Pipe End Separation and **Deflection** figures show the maximum nominal range of movement available at each joint for standard **roll** grooved pipe. Figures for standard **cut** grooved pipe may be doubled. These figures are maximums; for design and installation purposes these figures should be reduced by: 50% for ¾ – 3½/20 – 90 mm; 25% for 4"/100 mm and larger.

Couplings

Gasket Type	Style 005	Style 009	Style 07	Style 77	Style 75	Style 750	Style 72 †	Style HP-70	Style 791
STANDARD 	●		●	●	●		●	●	●
REDUCING 						●			
FLUSHSEAL® 	●		●	●	●				●
FIRELOCK EZ 		●							

† Separate gasket specifically designed for outlet couplings.

FireLock Flange Adapter
ANSI Class 150
PN10
JIS 10K
STYLE 744, PG. 3-9



Vic-Flange® Adapter
ANSI Class 150
PN10
JIS 10K
STYLE 741, PG. 3-10



Vic-Flange Adapter
ANSI Class 300
PN16
JIS 20K
STYLE 743, PG. 3-10



PRODUCTS

- 3-1 Couplings**
- 4-1 Fittings
- 5-1 Hole Cut Piping System
- 6-1 Valves and Accessories
- 7-1 FireLock Automatic Devices and Accessories
- 8-1 FireLock Automatic Sprinklers
- 9-1 Specialty Products
- 10-1 Pipe Preparation Tools
- 11-1 Product Index

Outlet Coupling
STYLE 72, PG. 3-11



Available with female threaded outlets (shown) and grooved outlets

Rigid Coupling
STYLE HP-70, PG. 3-12



Vic-Boltless® Coupling
STYLE 791 COUPLING AND
STYLE 792 ASSEMBLY TOOL,
PG. 3-12



Couplings

FireLock EZ Rigid Coupling

STYLE 009

For Complete Information Request Publication 10.60



Size		Max. Work Pressure * psi kPa	Max. End Load * Lbs. N	Allow. Pipe End Sep. † Inches mm	Dimensions					Approx. Wgt. Each Lbs. kg
Nominal Size Inches mm	Actual Outside Dia. Inches mm				Pre-assembled		Joint Assembled			
					X Inches mm	Y Inches mm	X Inches mm	Y Inches mm	Z Inches mm	
1 1/4 32	1.660 42.4	300 2065	649 2888	0.10 2.54	3.13 80	4.93 125	2.86 73	4.83 123	1.93 49	1.5 0.7
1 1/2 40	1.900 48.3	300 2065	851 3787	0.10 2.54	3.38 86	5.16 131	3.11 79	5.07 129	1.86 47	1.7 0.8
2 50	2.375 60.3	300 2065	1329 5914	0.12 3.05	3.88 99	5.81 148	3.59 91	5.68 144	1.86 47	1.9 0.9
2 1/2 65	2.875 73.0	300 2065	1948 8668	0.12 3.05	4.38 111	6.21 158	4.08 104	6.10 155	1.87 48	2.0 0.9
3 80	3.500 88.9	300 2065	2886 12842	0.12 3.05	5.03 128	6.88 175	4.70 119	6.78 172	1.88 48	2.3 1.0
4 100	4.500 114.3	300 2065	4771 21230	0.17 4.32	6.19 157	8.11 206	5.94 151	8.01 203	2.09 53	3.9 1.8

† The allowable pipe end separation dimension shown is for system layout purposes only. FireLock EZ couplings are considered rigid connections and will not accommodate expansion or contraction of the piping system.

* Refer to General Notes on pg. 3-1.



STYLE 009V (EUROPE ONLY)

For Complete Information Request Publication 10.60



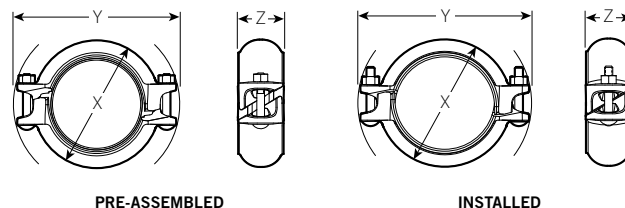
Size		Max. Work. Press. * psi kPa	Max. End Load * Lbs. N	Allow. Pipe End Sep. † Inches mm	@ Bolt/Nut No. – Size Inches	Dimensions – Inches/mm					Aprx. Wgt. Ea. Lbs. kg
Nominal Size Inches mm	Actual Outside Dia. Inches mm					Pre-assembled (Stab in condition)		Joint Assembled			
						X	Y	X	Y	Z	
1 1/4 32	1.660 42.4	300 2068	649 2888	0.10 2.54	2 – M10 x 57	3.14 80	4.84 123	2.85 72	4.65 118	1.91 49	1.6 0.7
1 1/2 40	1.900 48.3	300 2068	851 3787	0.10 2.54	2 – M10 x 57	3.34 85	5.06 129	3.13 80	4.85 123	1.92 49	1.7 0.8
2 50	2.375 60.3	300 2068	1329 5914	0.12 3.05	2 – M10 x 64	3.91 99	5.66 144	3.61 92	5.47 139	1.94 49	2.1 0.9
76.1 mm	3.000 76.1	300 2068	1948 8668	0.12 3.05	2 – M10 x 64	4.57 116	6.46 164	4.17 106	6.18 157	1.96 50	2.3 1.1
3 80	3.500 88.9	300 2068	2886 12842	0.12 3.05	2 – M10 x 64	5.15 131	7.12 181	4.73 120	6.67 169	1.94 49	2.6 1.2
4 100	4.500 114.3	300 2068	4771 21230	0.17 4.32	2 – M10 x 64	6.39 162	8.74 222	6.05 154	8.46 215	2.11 54	4.6 2.1

† The allowable pipe end separation dimension shown is for system layout purposes only. FireLock EZ couplings are considered rigid connections and will not accommodate expansion or contraction of the piping system.

* Refer to General Notes on pg. 3-1.

IMPORTANT NOTES:

When assembling FireLock EZ couplings onto end caps, take additional care to make certain the end cap is fully seated against the gasket end stop. For FireLock EZ Style 009/009V couplings, use FireLock No. 006 end caps containing the "EZ" marking on the inside face or No. 60 end caps containing the "QV EZ" marking on the inside face. Non-Victaulic end cap products should not be used with Style 009/009V couplings.



PRE-ASSEMBLED

INSTALLED

- Provides rigidity; does not accommodate expansion, contraction or angular deflection
- Installation-ready design – assemble a joint without disassembling the bolts, nuts, gasket and housings
- For use in fire protection systems only
- Reduces installation time up to 60%
- Available with hot dipped galvanized finish
- Proprietary gasket design
- Rated up to 300 psi/2065 kPa - see submittal publication 10.60 for complete performance ratings
- Sizes from 1 1/4 – 4" / 32 – 100 mm



Couplings

FireLock Rigid Coupling

STYLE 005

For Complete Information Request Publication 10.02



- Unique angle-pad design for rigidity
- Allows supporting/hanging same as welded or threaded in accordance with NFPA-13 requirements
- For use in fire protection services only
- Available with hot dipped galvanized finish
- Pressure rated up to 350 psi/2410 kPa
- Sizes from 1¼–8"/32–200mm

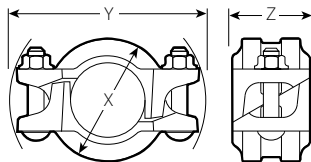
Size		Max. Work Pressure §*	Max. End Load *	Allow. Pipe End Sep. †**	Dimensions			Approx. Wgt. Each
Nominal Size Inches mm	Actual Outside Dia. Inches mm	psi kPa	Lbs. N	Inches mm	X Inches mm	Y Inches mm	Z Inches mm	Lbs. Kg
1¼ 32	1.660 42.4	350 2410	755 3370	0.05 1.2	2.75 70	4.50 114	1.88 48	1.2 0.5
1½ 40	1.900 48.3	350 2410	990 4415	0.05 1.2	3.00 76	4.75 121	1.88 48	1.2 0.5
2 50	2.375 60.3	350 2410	1550 6900	0.07 1.7	3.50 89	5.25 133	1.88 48	1.6 0.7
2½ 65	2.875 73.0	350 2410	2270 10110	0.07 1.7	4.00 102	5.75 146	1.88 48	1.9 0.9
76.1 mm	3.000 76.1	350 2410	2475 11010	0.07 1.7	4.13 105	5.75 146	1.88 48	1.9 0.9
3 80	3.500 88.9	350 2410	3365 14985	0.07 1.7	4.63 118	6.13 156	1.88 48	2.1 1.0
4 ** 100	4.500 114.3	350 2410	5565 24770	0.16 4.1	5.75 146	7.25 184	2.13 54	3.1 1.4
108.0 mm	4.250 108.0	300 2065	4255 18940	0.16 4.1	5.63 143	7.25 184	2.13 54	3.1 1.4
5 125	5.563 141.3	300 2065	7290 32445	0.16 4.1	6.88 175	9.00 229	2.13 54	4.5 2.0
133.0 mm	5.250 133.0	300 2065	6495 28900	0.16 4.1	6.63 168	9.00 229	2.13 54	4.5 2.0
139.7 mm	5.500 139.7	300 2065	7125 31715	0.16 4.1	6.88 175	9.00 229	2.13 54	4.8 2.2
6 150	6.625 168.3	300 2065	10340 46020	0.16 4.1	8.00 203	10.00 254	2.13 54	5.0 2.3
159.0 mm	6.250 159.0	300 2065	9200 40955	0.16 4.1	7.63 194	10.00 254	2.13 54	5.5 2.5
165.1 mm	6.500 165.1	300 2065	9955 44295	0.16 4.1	8.15 207	10.00 254	2.13 54	5.5 2.5
8 ** 200	8.625 219.1	300 2065	17525 78000	0.19 4.8	10.50 267	13.13 334	2.63 67	11.3 5.1

† For field installation only. FireLock Style 005 couplings are essentially rigid and do not accommodate expansion/contraction.

§ Style 005 couplings are VdS and LPCB Approved to 12 Bar/175 psi.

* Refer to General Notes on pg.3-1.

** Korea MPI Approved



TYPICAL FOR ALL SIZES

Couplings

Zero-Flex Rigid Coupling

STYLE 07

For Complete Information Request Publication **06.02**



- Angled-pad design for rigidity
- Resists flexural and torsional loads
- Pressure rated up to 500 psi/3450 kPa
- Sizes from 1 – 12"/25 – 300 mm

Size		Max. Work Pressure ‡	Max. End Load *	Allow. Pipe End Sep. *	Dimensions			Approx. Wgt. Each
Nominal Size Inches mm	Actual Outside Dia. Inches mm	psi kPa	Lbs. N	Inches mm	X Inches mm	Y Inches mm	Z Inches mm	Lbs. kg
1 25	1.315 33.7	500 3450	679 3020	0.05 1.2	2.36 60	4.22 107	1.84 47	1.6 0.7
1¼ 32	1.660 42.4	500 3450	1082 4813	0.05 1.2	2.69 68	4.62 117	1.84 47	1.6 0.7
1½ 40	1.900 48.3	500 3450	1417 6305	0.05 1.2	2.94 75	5.81 148	1.84 47	1.6 0.7
2 50	2.375 60.3	500 3450	2214 9852	0.07 1.7	3.35 85	5.78 147	1.84 47	2.3 1.0
2½ 65	2.875 73.0	500 3450	3244 14437	0.07 1.7	3.88 98	6.38 162	1.84 47	2.6 1.2
76.1 mm	3.000 76.1	500 3450	3533 15720	0.07 1.7	4.21 107	6.61 168	1.84 47	3.6 1.6
3 80	3.500 88.9	500 3450	4808 21396	0.07 1.7	4.54 115	6.81 173	1.84 47	3.0 1.4
4 ** 100	4.500 114.3	500 3450	7948 35369	0.16 4.1	5.81 148	8.21 209	2.07 53	5.3 2.4
108.0 mm	4.250 108.0	500 3450	7090 31548	0.16 4.1	5.56 141	7.98 203	2.07 53	5.2 2.4
5 125	5.563 141.3	500 3450	12147 54053	0.16 4.1	7.03 179	9.89 251	2.07 53	7.4 3.4
133.0 mm	5.250 133.0	500 3450	10818 48141	0.16 4.1	6.69 170	9.60 244	2.07 53	7.4 3.4
139.7 mm	5.500 139.7	500 3450	11873 52835	0.16 4.1	6.94 176	9.82 249	2.07 53	7.6 3.4
6 150	6.625 168.3	500 3450	17227 76660	0.16 4.1	8.26 210	10.83 275	2.07 53	8.3 3.8
159.0 mm	6.250 159.0	500 3450	15332 68228	0.16 4.1	7.84 199	10.54 268	2.07 53	9.2 4.2
165.1 mm	6.500 165.1	500 3450	16583 73795	0.16 4.1	8.13 207	10.84 275	2.07 53	8.3 3.8
8 ** 200	8.625 219.1	450 3100	26278 116939	0.19 4.8	10.54 268	13.74 349	2.51 64	15.1 6.8
10 #@ 250	10.750 273.0	400 2750	36287 161475	0.13 3.3	12.86 327	16.98 431	2.56 65	23.5 10.7
12 #@ 300	12.750 323.9	400 2750	51045 227149	0.13 3.3	14.86 377	18.88 480	2.56 65	28.2 12.8

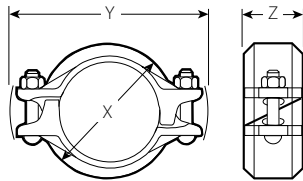
‡ Pressure ratings for Victaulic couplings used in services other than fire protection will differ from the ratings published here. Please consult the individual product submittal for specific pressure rating information.

* Refer to General Notes on pg. 3-1.

Couplings in 8"/200mm, 10"/250mm and 12"/300mm sizes are approved for JIS piping standards

@ Only couplings in 10"/250mm and 12"/300mm sizes are approved for use in China

** Korea MPI Approved



TYPICAL FOR ALL SIZES

Couplings

Standard Flexible Coupling

STYLE 77

For Complete Information
Request Publication **06.04**



- Cross-ribbed construction design
- Provides flexibility for expansion, contraction, and deflection
- Pressure rated up to 500 psi/3450 kPa
- Sizes from 3/4" – 12"/20 – 300 mm

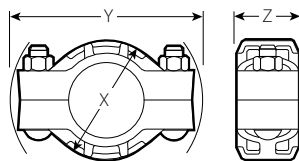
Size		Max. Work Pressure ‡	Max. End Load *	Allow. Pipe End Sep. *	Dimensions			Approx. Wgt. Each
Nominal Size Inches mm	Actual Outside Dia. Inches mm	psi kPa	Lbs. N	Inches mm	X Inches mm	Y Inches mm	Z Inches mm	Lbs. kg
3/4 20	1.050 26.7	500 3450	433 1926	0 – 0.06 0 – 1.6	2.13 54	4.00 102	1.75 44	1.1 0.5
1 25	1.315 33.4	500 3450	679 3020	0 – 0.06 0 – 1.6	2.38 61	4.12 105	1.75 44	1.2 0.5
1 1/4 32	1.660 42.2	500 3450	1082 4813	0 – 0.06 0 – 1.6	2.65 67	5.00 127	1.88 48	2.0 0.9
1 1/2 40	1.900 48.3	500 3450	1417 6305	0 – 0.06 0 – 1.6	3.13 79	5.38 137	1.88 48	2.1 1.0
2 50	2.375 60.3	500 3450	2214 9852	0 – 0.06 0 – 1.6	3.63 92	5.88 149	1.88 48	2.6 1.2
2 1/2 65	2.875 73.0	500 3450	3244 14437	0 – 0.06 0 – 1.6	4.25 108	6.50 165	1.88 48	3.1 1.4
76.1 mm	3.000 76.1	500 3450	3533 15720	0 – 0.06 0 – 1.6	4.38 111	6.63 168	1.88 48	3.2 1.5
3 80	3.500 88.9	500 3450	4808 21396	0 – 0.06 0 – 1.6	5.00 127	7.13 181	1.88 48	3.7 1.7
4 ** 100	4.500 114.3	500 3450	7948 35369	0 – 0.13 0 – 3.3	6.13 156	8.88 226	2.13 54	6.7 3.0
108.0 mm	4.250 108.0	500 3450	7090 31548	0 – 0.13 0 – 3.2	6.00 152	8.63 219	2.13 54	11.0 5.0
5 125	5.563 141.3	500 3450	12147 54053	0 – 0.13 0 – 3.3	7.75 197	10.65 270	2.13 54	10.6 4.8
133.0 mm	5.250 133.0	500 3450	10818 48141	0 – 0.13 0 – 3.3	7.63 194	10.38 264	2.13 54	10.0 4.5
139.7 mm	5.500 139.7	500 3450	11873 52835	0 – 0.13 0 – 3.3	8.63 219	10.65 270	2.13 54	10.0 4.5
6 150	6.625 168.3	500 3450	17227 76660	0 – 0.13 0 – 3.3	8.63 219	11.88 302	2.13 54	12.0 5.4
159.0 mm	6.250 159.0	500 3450	15332 68228	0 – 0.13 0 – 3.3	8.63 219	11.50 292	2.13 54	13.2 6.0
165.1 mm	6.500 165.1	500 3450	16583 73795	0 – 0.13 0 – 3.3	8.88 226	11.63 295	2.13 54	13.2 6.0
8 # 200	8.625 219.1	500 3450	29198 129933	0 – 0.13 0 – 3.3	11.00 279	14.75 375	2.50 63	20.8 9.4
10 # 250	10.750 273.0	500 3450	45358 201844	0 – 0.13 0 – 3.3	13.63 346	17.13 435	2.63 67	31.1 14.1
12 # 300	12.750 323.9	500 3450	63806 283936	0 – 0.13 0 – 3.3	15.63 397	19.25 489	2.63 67	27.8 12.6

‡ Pressure ratings for Victaulic couplings used in services other than fire protection will differ from the ratings published here. Please consult the individual product submittal for specific pressure rating information.

* Refer to General Notes on pg. 3-1.

Couplings in 8"/200mm, 10"/250mm and 12"/300mm sizes are approved for JIS piping standards

** Korea MPI Approved



TYPICAL FOR ALL SIZES

Couplings

Flexible Coupling

STYLE 75

For Complete Information
Request Publication **06.05**



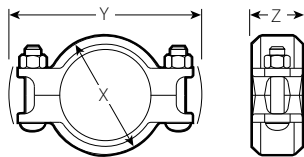
- For use where moderate pressures are expected and weight considerations are flexibility factors
- 50% lighter in weight than Style 77
- Pressure rated up to 500psi/3450kPa
- Sizes from 1–8"/25–304.8mm

Size		Max. Work Pressure *	Max. End Load *	Allow. Pipe End Sep. *	Dimensions			Approx. Wgt. Each
Nominal Size Inches mm	Actual Outside Dia. Inches mm	psi kPa	Lbs. N	Inches mm	X Inches mm	Y Inches mm	Z Inches mm	Lbs. kg
1 25	1.315 33.4	500 3450	680 3025	0 – 0.06 0 – 1.6	2.38 61	4.27 108	1.77 45	1.3 0.6
1¼ 32	1.660 42.2	500 3450	1,080 4805	0 – 0.06 0 – 1.6	2.68 68	4.61 117	1.77 45	1.4 0.6
1½ 40	1.900 48.3	500 3450	1,420 6320	0 – 0.06 0 – 1.6	2.91 74	4.82 122	1.77 45	1.5 0.6
2 50	2.375 60.3	500 3450	2,215 9860	0 – 0.06 0 – 1.6	3.43 87	5.22 133	1.88 48	1.7 0.8
2½ 65	2.875 73.0	500 3450	3,245 14440	0 – 0.06 0 – 1.6	3.88 98	5.68 144	1.88 48	1.9 0.9
76.1 mm	3.000 76.1	500 3450	3,535 15730	0 – 0.06 0 – 1.6	4.00 102	5.90 150	1.88 48	1.9 0.9
3 80	3.500 88.9	500 3450	4,800 21360	0 – 0.06 0 – 1.6	4.50 114	7.00 178	1.88 48	2.9 1.3
3½ 90	4.000 101.6	500 3450	6,300 28035	0 – 0.06 0 – 1.6	5.00 127	7.50 191	1.88 48	2.9 1.3
4 ** 100	4.500 114.3	500 3450	7,950 35380	0 – 0.13 0 – 3.2	5.80 147	8.03 204	2.13 54	4.1 1.9
108.0 mm	4.250 108.0	450 3100	6,380 28395	0 – 0.13 0 – 3.2	5.55 141	7.79 198	2.13 54	3.7 1.7
4½ 120	5.000 127.0	450 3100	8,820 39250	0 – 0.13 0 – 3.2	6.13 156	9.43 240	2.13 54	5.5 2.5
5 125	5.563 141.3	450 3100	10,935 48660	0 – 0.13 0 – 3.2	6.88 175	10.07 256	2.13 54	5.8 2.6
133.0 mm	5.250 133.0	450 3100	9,735 43325	0 – 0.13 0 – 3.2	6.55 166	9.37 238	2.13 54	6.0 2.7
139.7 mm	5.500 139.7	450 3100	10,665 47460	0 – 0.13 0 – 3.2	6.80 173	9.59 244	2.13 54	6.3 2.9
6 150	6.625 168.3	450 3100	15,525 69085	0 – 0.13 0 – 3.2	8.00 203	11.07 281	2.13 54	7.0 3.2
152.4 mm	6.000 152.4	450 3100	12,735 56670	0 – 0.13 0 – 3.2	7.38 187	10.48 266	1.88 48	6.2 2.8
159.0 mm	6.250 159.0	450 3100	13,800 61405	0 – 0.13 0 – 3.2	7.63 194	10.49 266	2.13 54	6.8 3.1
165.1 mm	6.500 165.1	450 3100	14,940 66483	0 – 0.13 0 – 3.2	7.84 199	10.66 271	2.06 52	7.2 3.3
203.2 mm #	8.000 203.2	450 3100	22,635 100725	0 – 0.13 0 – 3.2	9.72 247	13.33 339	2.31 54	12.6 5.7
8 ** 200	8.625 219.1	450 3100	26,280 116945	0 – 0.13 0 – 3.2	10.34 263	13.97 355	2.32 59	12.4 5.6
254.0 mm #	10.000 254.0	350 2400	27,500 122375	0 – 0.13 0 – 3.2	12.16 309	15.81 402	2.53 64	20.8 9.4
304.8 mm #	12.000 304.8	350 2400	39,500 175775	0 – 0.13 0 – 3.2	14.16 360	17.69 449	2.53 64	23.6 10.7

Style 74 Coupling.

* Refer to General Notes on pg.3-1.

** Korea MPI Approved



TYPICAL FOR ALL SIZES

Couplings

Reducing Coupling

STYLE 750

For Complete Information
Request Publication **06.08**



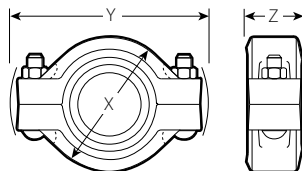
- Direct reduction on the piping run
- Designed to replace two couplings and a reducing fitting
- Special reducing gasket for pressure responsive sealing
- Pressure rated up to 350 psi/2410 kPa
- Sizes from 2×1"/50×25mm through 8×6"/200×150mm

Size		Max. Work Pressure *	Max. End Load *	Allow. Pipe End Sep. *	Dimensions			Approx. Wgt. Each
Nominal Size Inches mm		psi kPa	Lbs. N	Inches mm	X Inches mm	Y Inches mm	Z Inches mm	Lbs. kg
2 50	× 1 25	350	1,000	0 – 0.07	3.38	5.28	1.88	2.7
		2410	4450	0 – 1.8	85	134	48	1.2
	1½ 40	350 2410	1,000 4450	0 – 0.07 0 – 1.8	3.38 85	5.28 134	1.88 48	2.0 1.0
2½ 65	× 2 50	350	2,215	0 – 0.07	4.00	5.93	1.88	3.1
		2410	9850	0 – 1.8	102	151	48	1.4
76.1	× 2 50	350	1,550	0 – 0.07	4.38	6.00	1.88	4.6
		2410	6900	0 – 1.8	111	152	48	2.1
3 80	× 2 50	350	1,550	0 – 0.07	4.75	7.13	1.88	4.9
		2410	6900	0 – 1.8	121	181	48	2.2
	2½ 65	350 2410	3,250 14460	0 – 0.07 0 – 1.8	4.75 121	7.13 181	1.88 48	4.3 2.0
88.9	× 76.1	350	2,275	0 – 0.07	4.75	7.13	1.88	4.2
		2410	10125	0 – 1.8	121	181	48	1.9
4 100	× 2 50	350	1,550	0 – 0.13	6.25	8.90	2.25	8.1
		2410	6900	0 – 3.2	159	226	57	3.7
	2½ 65	350 2410	2,275 10125	0 – 0.13 0 – 3.2	6.25 159	8.90 226	2.25 57	8.6 3.9
114.3	× 76.1	350	4,810	0 – 0.13	6.00	8.90	2.25	6.7
		2410	21400	0 – 3.2	152	226	57	3.0
5 125	× 4 100	350	2,275	0 – 0.13	6.25	8.90	2.25	6.9
		2410	10125	0 – 3.2	159	226	57	3.1
6 150	× 4 100	350	5,565	0 – 0.13	7.18	10.70	2.13	11.2
		2410	24765	0 – 3.2	182	272	54	5.1
	5 125	350 2410	5,565 24765	0 – 0.13 0 – 3.2	8.63 219	11.90 302	2.25 57	16.7 7.6
165.1	× 4 100	350	8,500	0 – 0.13	8.31	11.90	2.25	12.9
		2410	37825	0 – 3.2	211	302	57	5.9
8 200	× 6 150	350	5,565	0 – 0.13	8.63	11.90	2.25	15.2
		2410	24765	0 – 3.2	219	302	57	6.9
200	× 150	350	12,000	0 – 0.13	10.81	14.88	2.50	22.4
		2410	53400	0 – 3.2	275	378	64	10.2

* Refer to General Notes on pg. 3-1.

IMPORTANT NOTES:

No. 60 Cap is not for use in vacuum services with Style 72 or 750 couplings. No. 61 bull plug should be used.



TYPICAL FOR ALL SIZES

Couplings

FireLock Flange Adapter
ANSI Class 150
PN10
JIS 10K

STYLE 744

For Complete Information
Request Publication 10.04



- Directly incorporates ANSI Class 150, PN10, JIS 10K or ANSI Class 300, PN16, JIS 20K bolt hole patterns into a grooved system
- Hinged for easy handling with integral end tabs which facilitate assembly
- Small teeth inside the key shoulder inside diameter prevent rotation
- Pressure rated up to 175psi/1200kPa
- Sizes from 2–8"/50–200mm

Size		Max. Work Pressure *	Max. End Load *	Sealing Surface		Dimensions		Approx. Wgt. Each
Nominal Size Inches mm	Actual Outside Dia. Inches mm	psi kPa	Lbs. N	A Max. Inches mm	B Min. Inches mm	W Inches mm	Z Inches mm	Lbs. kg
2 50	2.375 60.3	175 1200	775 3450	2.38 60	3.41 87	6.75 172	0.75 19	2.7 1.2
2 ½ 65	2.875 73.0	175 1200	1135 5050	2.88 73	3.91 99	7.88 200	0.88 22	4.2 1.9
3 80	3.500 88.9	175 1200	1685 7500	3.50 89	4.53 115	8.44 214	0.94 24	4.8 2.2
4 100	4.500 114.3	175 1200	2780 11045	4.50 114	5.53 141	9.94 252	0.94 24	7.1 3.2
5 125	5.563 141.3	175 1200	4250 18920	5.56 141	6.71 171	11.00 279	1.00 25	8.3 3.8
6 150	6.625 168.3	175 1200	6030 26840	6.63 168	7.78 198	12.00 305	1.00 25	9.3 4.2
8 200	8.625 219.1	175 1200	10219 45475	8.63 219	9.94 252	14.63 372	1.13 29	13.9 6.3

* Working Pressure and End Load are total, from all internal and external loads, based on standard weight steel pipe, standard **roll** or **cut** grooved in accordance with Victaulic specification. Contact Victaulic for performance on other pipe.

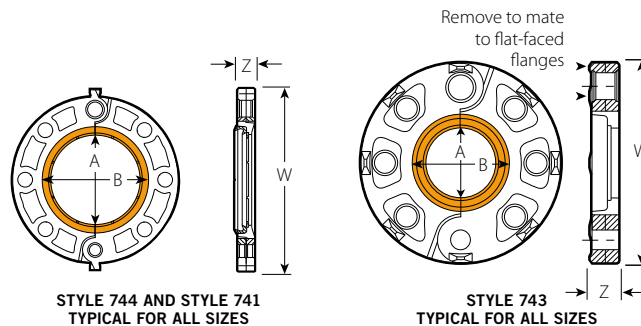
IMPORTANT NOTES

WARNING: For one time field test only, the Maximum Joint Working Pressure may be increased to 1½ times the figures shown.

Style 744 FireLock Flange adapters provide rigid joints when used on pipe with standard roll or cut groove dimensions and consequently allow no linear or angular movement at the joint.

WARNING: Depressurize and drain the piping system before attempting to install, remove, or adjust any Victaulic piping products.

Style 744 FireLock flange adapters provide rigid joints when used on pipe with standard cut or roll groove dimensions and consequently allow no linear or angular movement at the joint. When used with Victaulic Series 765/705W/707 butterfly valves, plastic pipe or lightwall metallic pipe, small teeth in inside diameter of key section should be removed and may be used on one side of the valve.



Orange area of mating face must be free from gouges, undulations or deformities of any type for effective sealing.

Couplings

Vic-Flange Adapter ANSI Class 300 PN16 JIS 20K

STYLE 741

For Complete Information
Request Publication 06.06



- Directly incorporates ANSI Class 150 PN10 JIS 10K or ANSI Class 300 PN16 JIS 20K flanged components into a grooved system
- Pressure rated up to 250psi/1725kPa
- Sizes from 2–12"/50–300mm (hinged)

Size		Max. Work Pressure *	Max. End Load *	Sealing Surface		Dimensions		Approx. Wgt. Each
Nominal Size Inches mm	Actual Outside Dia. Inches mm	psi kPa	Lbs. N	A Max. Inches mm	B Min. Inches mm	W Inches mm	Z Inches mm	Lbs. kg
2	2.375	250	1107	2.38	3.41	6.75	0.75	3.1
50	60.3	1725	4926	60	87	172	19	1.4
2½	2.875	250	1622	2.88	3.91	7.87	0.88	4.8
65	73.0	1725	7218	73	99	200	22	2.1
3	3.500	250	2404	3.50	4.53	8.29	0.94	5.3
80	88.9	1725	10698	89	115	211	24	2.4
4	4.500	250	3974	4.50	5.53	9.87	0.94	7.4
100	114.3	1725	17685	114	141	251	24	3.4
5	5.563	250	6073	5.56	6.71	10.90	1.00	8.6
125	141.3	1725	27026	141	171	277	25	3.9
6	6.625	250	8614	6.63	7.78	11.90	1.00	9.9
150	168.3	1725	38330	168	198	302	25	4.5
165.1 mm	6.500	250	8292	6.50	7.66	11.92	1.00	10.0
	165.1	1725	36897	165	195	303	25	4.5
8	8.625	250	14599	8.63	9.94	14.50	1.13	16.6
200	219.1	1725	64966	219	252	368	29	7.5
10	10.750	250	22679	10.75	12.31	17.24	1.19	24.2
250	273.0	1725	100922	273	313	438	30	11.0
12	12.750	250	31903	12.75	14.31	20.25	1.25	46.8
300	323.9	1725	141968	324	364	514	32	21.2

* Refer to Publication 06.06 for more details.

IMPORTANT NOTES:

Style 741 Vic-Flange adapters provide rigid joints when used on pipe with standard cut or roll groove dimensions and consequently allow no linear or angular movement at the joint. When used with Victaulic Series 765/705W/707 butterfly valves, plastic pipe or lightwall metallic pipe, small teeth in I.D. of key section should be removed and may be used on one side of the valve. Total bolts required to be supplied by installer, may be ordered from Victaulic Company.

For restrictions on where and how Vic-Flange adapters and flange washers can be used, refer to Publication 06.06.

Vic-Flange Adapter ANSI Class 300 PN16 JIS 20K

STYLE 743

For Complete Information
Request Publication 06.06



- Pressure rated up to 500psi/3450kPa
- Sizes from 2–12"/50–300mm

Size		Max. Work Pressure *	Max. End Load *	Sealing Surface		Dimensions		Approx. Wgt. Each
Nominal Size Inches mm	Actual Outside Dia. Inches mm	psi kPa	Lbs. N	A Max. Inches mm	B Min. Inches mm	W Inches mm	Z Inches mm	Lbs. kg
2	2.375	250	1107	2.38	3.41	7.70	0.94	4.8
50	60.3	1725	4926	60	87	196	24	2.2
2½	2.875	250	1622	2.88	3.91	8.61	1.06	7.4
65	73.0	1725	7218	73	99	219	27	3.4
3	3.500	250	2404	3.50	4.53	9.48	1.18	9.1
80	88.9	1725	10698	89	115	241	30	4.1
4	4.500	250	3974	4.50	5.53	11.35	1.31	15.3
100	114.3	1725	17685	114	141	288	33	6.9
5	5.563	250	6073	5.56	6.71	12.31	1.43	17.7
125	141.3	1725	27026	141	171	313	36	8.0
6	6.625	250	8614	6.63	7.78	13.77	1.50	23.4
150	168.3	1725	38330	168	198	350	38	10.6
8	8.625	250	14599	8.63	9.94	16.68	1.68	34.3
200	219.1	1725	64966	219	252	424	43	15.6
10	10.750	250	22679	10.75	12.31	19.25	1.93	48.3
250	273.0	1725	100922	273	313	489	49	21.9
12	12.750	250	31903	12.75	14.31	22.25	2.06	70.5
300	323.9	1725	141968	324	364	565	52	32.0

* Refer to Publication 06.06 for more details.

IMPORTANT NOTES:

Style 743 Vic-Flange must be ordered as a factory assembly when connected to a Victaulic fitting or valve. Contact Victaulic for details. Total bolts required to be supplied by installer, may be ordered from Victaulic.

For restrictions on where and how Vic-Flange adapters and flange washers can be used, refer to Publication 06.06.

Couplings

Outlet Coupling

STYLE 72

For Complete Information
Request Publication **06.10**



- Serves dual purpose as a coupling and outlet
- Designed to seal on the joined pipe ends and in the neck of the outlet
- Outlet can be prepared for grooved, female threaded or male threaded connections
- Pressure rated up to 500 psi/3450 kPa
- Sizes from 1½ × ½"/40 × 15 mm through 6 × 2"/150 × 50 mm

Size	Max. Work Pressure *	Allow. Pipe End Sep. *	Dimensions					Approx. Wgt. Each	
Run × Reducing Outlet Nominal Size Inches mm									
Female Pipe Thread	Grooved Male Pipe Thread	psi kPa	Inches mm	T † Inches mm	V § Inches mm	X Inches mm	Y Inches mm	Z Inches mm	Lbs. kg
1½ × 40	½ —	500 3450	0.75 – 0.88 19 – 22	2.06 52	2.63 67	2.94 75	4.50 114	2.75 70	1.4 0.6
	¾ —	500 3450	0.75 – 0.88 19 – 22	2.06 52	2.63 67	2.94 75	4.50 114	2.75 70	1.4 0.6
	1 —	500 3450	0.75 – 0.88 19 – 22	1.94 49	2.63 67	2.94 75	4.50 114	2.75 70	1.4 0.6
2 × 50	½ —	500 3450	0.81 – 0.88 20 – 22	2.47 63	3.03 77	3.38 86	5.00 127	2.75 70	3.5 1.6
	¾ —	500 3450	0.81 – 0.88 20 – 22	2.47 63	3.03 77	3.38 86	5.00 127	2.75 70	2.5 1.1
	1 —	500 3450	0.81 – 0.88 20 – 22	2.34 60	3.03 77	3.38 86	5.00 127	2.75 70	2.5 1.1
2½ × 65	½ —	500 3450	0.81 – 0.88 20 – 22	2.56 65	3.13 79	3.88 98	6.00 152	2.75 70	4.5 2.0
	¾ —	500 3450	0.81 – 0.88 20 – 22	2.56 65	3.13 79	3.88 98	6.00 152	2.75 70	4.6 2.1
	1 —	500 3450	0.81 – 0.88 20 – 22	2.44 62	3.13 79	3.88 98	6.00 152	2.75 70	4.6 2.1
	1¼ —	500 3450	1.25 – 1.50 32 – 38	3.00 76	3.69 94	4.06 103	6.88 175	3.25 83	5.0 2.3
	1½ —	500 3450	1.25 – 1.50 32 – 38	—	3.69 94	4.06 103	6.88 175	3.25 83	5.0 2.3
3 × 80	¾ —	500 3450	0.50 – 0.63 13 – 16	2.75 70	3.31 84	4.50 114	7.00 178	2.38 60	3.4 1.5
	1 —	500 3450	0.50 – 0.63 13 – 16	—	3.31 84	4.50 114	7.00 178	2.38 60	7.0 3.2
	1 —	500 3450	1.25 – 1.50 32 – 38	4.06 103	4.75 121	4.75 121	8.00 203	3.25 83	7.0 3.2
	1½ —	500 3450	1.25 – 1.50 32 – 38	—	4.25 108	4.75 121	8.00 203	3.25 83	7.0 3.2
4 × 100	¾ —	500 3450	0.44 – 0.63 11 – 16	3.25 83	3.81 97	5.69 145	8.38 213	2.50 64	6.8 3.1
	1 —	500 3450	0.44 – 0.63 11 – 16	—	3.81 97	5.69 145	8.38 213	2.50 64	6.8 3.1
	1½ —	400 2750	1.63 – 1.81 41 – 46	3.91 99	4.59 117	6.13 156	9.00 229	3.69 94	11.4 5.2
	2 —	400 2750	1.63 – 1.81 41 – 46	—	4.59 117	6.13 156	9.00 229	3.69 94	11.4 5.2
6 × 150	1 —	400 2750	1.63 – 1.81 41 – 46	6.19 157	6.88 175	8.13 206	12.00 305	3.69 94	18.0 8.2
	1½ —	400 2750	1.63 – 1.81 41 – 46	6.19 157	6.88 175	8.13 206	12.00 305	3.69 94	18.0 8.2
	2 —	400 2750	1.63 – 1.81 41 – 46	—	6.06 154	8.13 206	12.00 305	3.69 94	18.0 8.2

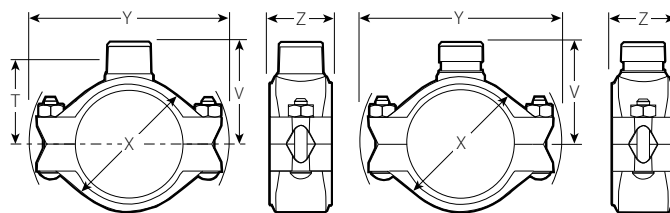
* Refer to General Notes on pg. 3-1.

§ Center of run to end of fittings.

† Center of run to the engaged pipe end. Female threaded outlet only (dimensions approximate).

IMPORTANT NOTES:

No. 60 Cap is not for use in vacuum services with Style 72 or 750 couplings. No. 61 bull plug should be used.



TYPICAL
1½ × ½" – 6 × 1½"/40 × 25 mm – 150 × 40 mm
SIZES WITH FEMALE THREADED OUTLET

TYPICAL
2 × 1" – 6 × 2"/50 × 25 mm – 150 × 50 mm
SIZES WITH GROOVED OUTLET

Couplings

Rigid Coupling

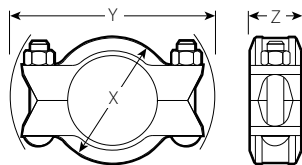
STYLE HP-70

For Complete Information
Request Publication **06.12**



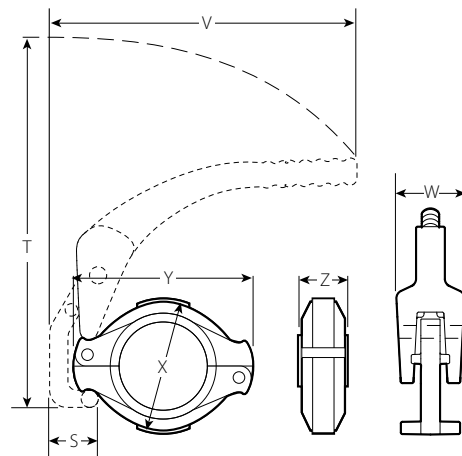
- Essentially rigid joint
- Pressure rated up to 750psi/5170kPa
- Sizes from 2 – 12"/50 – 300mm

Size		Max. Work Pressure *	Max. End Load *	Allow. Pipe End Sep. *	Dimensions			Approx. Wgt. Each
Nominal Size Inches mm	Actual Outside Dia. Inches mm	psi kPa	Lbs. N	Inches mm	X Inches mm	Y Inches mm	Z Inches mm	Lbs. kg
2	2.375	750	3321	0.14	3.50	6.68	2.00	3.2
50	60.3	5170	14778	3.6	89	168	51	1.5
2½	2.875	750	4866	0.14	4.13	7.13	2.00	4.0
65	73.0	5170	21655	3.6	105	181	51	1.8
3	3.500	750	7212	0.14	4.75	7.75	2.00	4.4
80	88.9	5170	32094	3.6	121	197	51	2.0
4	4.500	750	11922	0.25	6.00	9.63	2.13	7.5
100	114.3	5170	53054	6.4	152	245	54	3.4
6	6.625	750	25841	0.25	8.63	12.68	2.50	16.0
150	168.3	5170	114991	6.4	219	321	64	7.3
8	8.625	750	43797	0.25	11.00	15.00	2.75	26.1
200	219.1	5170	194899	6.4	279	381	70	11.8
10	10.750	700	63502	0.25	13.50	17.25	3.00	32.8
250	273.0	4825	282582	6.4	343	438	76	14.9
12	12.750	700	89328	0.25	15.63	19.13	3.13	46.0
300	323.9	4825	397510	6.4	397	486	80	20.9



TYPICAL FOR ALL SIZES

* Refer to General Notes on pg.3-1.



TYPICAL FOR ALL SIZES

Vic-Boltless Coupling

STYLE 791 COUPLING AND STYLE 792 ASSEMBLY TOOL

For Complete Information
Request Publication **06.11**



- Provides secure, tamper resistant, low profile joint
- Features locking pin installation with a separate tool
- Pressure rated up to 350psi/2410kPa
- Sizes from 2 – 8"/50 – 200mm

Size		Max. Work Pressure *	Max. End Load *	Allow. Pipe End Sep. *	Locking Pin Size	Dimensions							Approx. Wgt. Each
Nominal Size Inches mm	Actual Outside Dia. Inches mm	psi kPa	Lbs. N	Inches mm	Diameter x Length Inches	S Inches mm	T Inches mm	V Inches mm	W Inches mm	X Inches mm	Y Inches mm	Z Inches mm	Lbs. kg
2	2.375	350	1550	0 – 0.06	5/16 x 1 7/8	1.55	13.05	9.24	2.63	3.43	4.75	1.84	1.8
50	60.3	2410	6896	0 – 1.6	3/8 x 1 7/8	40	332	235	67	87	121	47	0.8
2½	2.875	350	2271	0 – 0.06	3/8 x 1 7/8	1.55	13.05	9.24	2.63	3.97	5.53	1.84	2.7
65	73.0	3410	10106	0 – 1.6	3/8 x 1 7/8	40	332	235	67	101	140	47	1.2
3	3.500	350	3366	0 – 0.06	3/8 x 1 7/8	1.55	13.05	9.24	2.63	4.59	6.20	1.84	2.6
80	88.9	2410	14977	0 – 1.6	3/8 x 1 7/8	40	332	235	67	117	157	47	1.2
4	4.500	350	5564	0 – 0.13	7/16 x 2	1.55	13.05	9.24	2.63	5.94	7.67	1.93	4.8
100	114.3	2410	24758	0 – 3.2	7/16 x 2	40	332	235	67	151	195	49	2.2
6	6.625	350	12059	0 – 0.13	1/2 x 2 1/16	1.55	13.05	9.24	2.63	8.06	10.17	2.06	6.3
150	168.3	2410	53662	0 – 3.2	1/2 x 2 1/16	40	332	235	67	205	258	51	2.9
8	8.625	350	20439	0 – 0.13	1/2 x 2 5/16	1.55	13.05	9.24	2.63	10.34	12.48	2.31	12.0
200	219.1	2410	90953	0 – 3.2	1/2 x 2 5/16	40	332	235	67	263	317	59	5.4

* Refer to General Notes on pg.3-1.

IMPORTANT NOTES:

Complete coupling includes one-piece hinged housing, gasket and locking pin only. Assembly tool Style 792 is required for assembly (one tool fits all size couplings).

Fittings

FIRELOCK FITTINGS

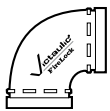
- CAD-developed, hydrodynamic design that has a shorter center-to-end dimension than standard fittings
- A noticeable bulge allows the water to make a smoother turn to maintain similar flow characteristics as standard full flow fittings
- Pressure ratings conform to the ratings of Victaulic FireLock Style 005 and Style 009 couplings

STANDARD FITTINGS

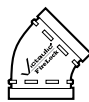
- Standard fittings conform to Style 77 coupling ratings



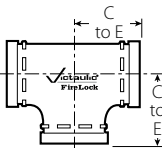
Fittings*



FireLock 90° Elbow
NO. 001, PG. 4-2



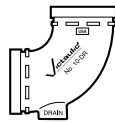
FireLock 45° Elbow
NO. 003, PG. 4-2



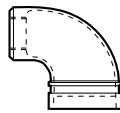
FireLock Straight Tee
NO. 002, PG. 4-2



FireLock Cap
NO. 006, PG. 4-2



Drain Elbow
NO. 10-DR, PG. 4-3



Vic®-End II End of Run Elbow
NO. 67, PG. 4-3

PRODUCTS

3-1 Couplings

4-1 Fittings

5-1 Hole Cut Piping System

6-1 Valves and Accessories

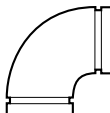
7-1 FireLock Automatic Devices and Accessories

8-1 FireLock Automatic Sprinklers

9-1 Specialty Products

10-1 Pipe Preparation Tools

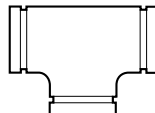
11-1 Product Index



90° Elbow
NO. 10, PG. 4-4



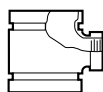
45° Elbow
NO. 11, PG. 4-4



Tee
NO. 20, PG. 4-4



Cap
NO. 60, PG. 4-4



Standpipe Tee*
NO. 27, PG. 4-3

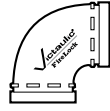
* See individual fitting submittals for approvals.

Fittings

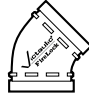
FireLock Elbows, Tee and Cap

- NO. 001** 90° Elbow
- NO. 003** 45° Elbow
- NO. 002** Straight Tee
- NO. 006** Cap

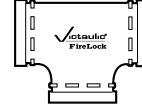
For Complete Information
Request Publication **10.03**



NO. 001*



NO. 003*



NO. 002*



NO. 006*

Size		No. 001 90° Elbow		No. 003 45° Elbow		No. 002 Straight Tee		No. 006 Cap	
Nominal Size Inches mm	Actual Outside Diameter Inches mm	C to E Inches mm	Approx. Wgt. Each Lbs. kg	C to E Inches mm	Approx. Wgt. Each Lbs. kg	C to E Inches mm	Approx. Wgt. Each Lbs. kg	T Thickness Inches mm	Approx. Wgt. Each Lbs. kg
1¼ 32	1.660 42.4	—	—	—	—	—	—	0.82 21	0.3 0.1
1½ 40	1.900 48.3	—	—	—	—	—	—	0.82 21	0.4 0.2
2 50	2.375 60.3	2.75 70	1.7 0.8	2.00 51	1.8 0.8	2.75 70	2.4 1.1	0.88 22	0.6 0.3
2½ 65	2.875 73.0	3.00 76	3.1 1.4	2.25 57	2.2 1.0	3.00 76	3.6 1.6	0.88 22	1.0 0.5
76.1 mm	3.000 76.1	3.00 76	3.3 1.5	2.25 57	2.4 1.1	—	—	—	—
3 80	3.500 88.9	3.38 86	4.0 1.8	2.50 64	3.1 1.4	3.38 86	5.3 2.4	0.88 22	1.2 0.5
4 100	4.500 114.3	4.00 102	6.7 3.0	3.00 76	5.6 2.5	4.00 102	8.7 3.9	1.00 25	2.4 1.1
108.0 mm	4.250 108.0	4.00 102	5.7 2.6	3.00 76	5.1 2.3	4.00 102	7.5 3.4	—	—
5 125	5.563 141.3	4.88 124	12.6 5.7	3.25 83	8.3 3.8	4.88 124	15.7 7.1	1.00 25	4.1 1.9
6 150	6.625 168.3	5.50 140	18.3 8.3	3.50 89	11.7 5.3	5.50 140	22.7 10.3	1.00 25	5.9 2.7
159.0 mm	6.250 159.0	5.50 140	12.6 5.7	3.50 89	9.2 4.2	5.50 140	17.9 8.0	—	—
8 200	8.625 219.1	6.81 173	25.5 11.6	4.25 108	20.4 9.3	6.94 176	38.7 17.6	1.13 29	12.7 5.8

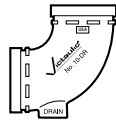
* See individual fitting submittals for approvals.

Fittings

Drain Elbow

NO. 10-DR

For Complete Information
Request Publication **10.05**



NO. 10-DR

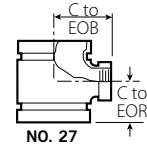
Size		Dimensions			Approx. Weight Each
Nominal Size Inches mm	Actual Outside Dia. Inches mm	C to E Inches mm	H Inches mm	P Inches mm	Lbs. kg
2½ 65	2.875 73.0	3.75 95	2.75 70	1.68 43	5.2 2.4
3 80	3.500 88.9	4.25 108	2.75 70	2.10 53	5.3 2.4
4 100	4.500 114.3	5.00 127	2.75 70	2.60 66	8.8 4.0
6 150	6.625 168.3	6.50 165	2.75 70	3.65 93	18.7 8.5

Standpipe Tee

NO. 27

(Ductile iron)

For Complete Information
Request Publication **07.01**



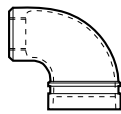
NO. 27

Size			Dimensions		Approx. Weight Each
Nominal Size Inches mm			C to EOR (End Of Run) Inches mm	C to EOB (End Of Branch) Inches mm	Lbs. kg
4 100	×	4 100	×	2½ 65	9.1 4.1
6 150	×	6 150	×	2½ 65	14.8 6.7

Vic-End II End of Run Elbow

NO. 67

For Complete Information
Request Publication **10.21**



NO. 67

Size		Dimensions	Approx. Weight Each	Equivalent Length of Pipe
Nominal Size Inches mm		C to E Inches mm	Lbs. kg	Feet m
1¼ 32	×	½ 15	2.38 1.4	2.8 0.9
		¾ 20	2.38 1.4	2.8 0.9
	1 25	½ 15	2.38 1.4	2.8 0.9
		¾ 20	2.38 1.4	2.8 0.9
1½ 40	×	½ 15	2.50 1.6	2.9 0.9
		¾ 20	2.50 1.6	2.9 0.9
	1 25	½ 15	2.50 1.6	2.9 0.9
		¾ 20	2.50 1.6	2.9 0.9
2 50	×	½ 15	2.75 1.7	4.0 1.2
		¾ 20	2.75 1.7	4.0 1.2
	1 25	½ 15	2.75 1.7	4.0 1.2
		¾ 20	2.75 1.7	4.0 1.2
2½ 65	×	½ 15	3.00 2.0	5.7 1.7
		¾ 20	3.00 2.0	5.7 1.7
	1 25	½ 15	3.00 2.0	5.7 1.7
		¾ 20	3.00 2.0	5.7 1.7

Fittings

Elbows, Tee, and Cap

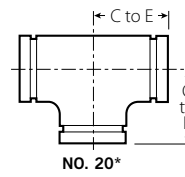
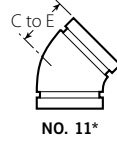
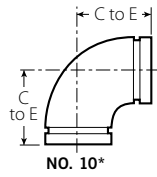
NO. 10 90° Elbow

NO. 11 45° Elbow

NO. 20 Tee

NO. 60 Cap

For Complete Information
Request Publication **07.01**



Size		No. 10 90° Elbow		No. 11 45° Elbow		No. 20 Tee		No. 60 Cap	
Nominal Size Inches mm	Actual Outside Dia. Inches mm	C to E Inches mm	Approx. Wgt. Each Lbs. kg	C to E Inches mm	Approx. Wgt. Each Lbs. kg	C to E Inches mm	Approx. Weight Each Lbs. kg	T Thickness Inches mm	Approx. Weight Each Lbs. kg
3/4 20	1.050 26.9	2.25 57	0.5 0.2	1.50 38	0.5 0.2	2.25 57	0.6 0.3	0.88 22	0.2 0.1
1 25	1.315 33.7	2.25 57	0.6 0.3	1.75 44	0.6 0.3	2.25 57	1.0 0.5	0.88 22	0.3 0.1
1 1/4 32	1.660 42.4	2.75 70	1.0 0.5	1.75 44	0.9 0.4	2.75 70	1.5 0.7	0.88 22	0.3 0.1
1 1/2 40	1.900 48.3	2.75 70	1.2 0.5	1.75 44	0.9 0.4	2.75 70	2.0 0.9	0.88 22	0.5 0.2
2 50	2.375 60.3	3.25 83	1.8 0.8	2.00 51	1.3 0.6	3.25 83	3.0 1.4	0.88 22	0.6 0.3
2 1/2 65	2.875 73.0	3.75 95	3.2 1.5	2.25 57	2.2 1.0	3.75 95	4.3 2.0	0.88 22	1.0 0.5
76.1 mm	3.000 76.1	3.75 95	3.7 1.7	2.25 57	3.4 1.5	3.75 95	5.2 2.4	0.88 22	1.2 0.5
3 80	3.500 88.9	4.25 108	4.5 2.0	2.50 64	3.1 1.4	4.25 108	6.8 3.0	0.88 22	1.2 0.5
3 1/2 90	4.000 101.6	4.50 114	5.6 2.5	2.75 70	4.3 2.0	4.50 (sw) 114	7.9 3.6	0.88 22	2.5 1.1
4 100	4.500 114.3	5.00 127	7.1 3.2	3.00 76	5.6 2.5	5.00 127	11.9 5.4	1.00 25	2.5 1.1
108.0 mm	4.250 108.0	5.00 127	11.0 5.0	3.00 76	5.6 2.5	5.00 127	15.5 7.0	1.00 25	2.3 1.0
4 1/2 120	5.000 127.0	5.25 (sw) 133	10.0 4.5	3.13 (sw) 79	6.0 2.7	5.25 (sw) 133	15.0 6.8	1.00 25	2.5 1.1
5 125	5.563 141.3	5.50 140	11.7 5.3	3.25 83	8.3 3.8	5.50 140	17.8 8.1	1.00 25	4.6 2.1
133.0 mm	5.250 133.0	5.50 140	11.7 5.3	3.25 83	8.3 3.8	5.50 140	17.8 8.1	1.00 25	4.5 2.0
139.7 mm	5.500 139.7	5.50 140	11.7 5.3	3.25 83	8.3 3.8	5.50 140	17.8 8.1	1.00 25	4.5 2.0
6 150	6.625 168.3	6.50 165	17.2 7.8	3.50 89	10.8 4.9	6.50 165	25.7 1.7	1.00 25	6.1 2.8
159.0 mm	6.250 159.0	6.50 165	18.6 8.4	3.50 89	10.8 4.9	6.50 165	27.1 12.3	1.00 25	6.8 3.1
165.1 mm	6.500 165.1	6.50 165	15.5 7.0	3.50 89	9.8 4.4	6.50 165	22.0 10.0	1.00 25	7.3 3.3
8 200	8.625 219.1	7.75 197	29.9 13.6	4.25 108	20.4 9.3	7.75 197	47.6 21.6	1.19 30	13.1 5.9
10 250	10.750 273.0	9.00 229	63.3 28.7	4.75 121	37.5 17.0	9.00 229	99.0 44.9	1.25 32	21.0 9.5
12 300	12.750 323.9	10.00 254	74.0 33.6	5.25 133	66.7 30.3	10.00 254	133.0 60.3	1.25 32	35.6 16.2

Additional fitting configurations available, contact Victaulic for details.

(sw) segmentally welded steel.

* See individual fitting submittals for approvals.

IMPORTANT NOTES:

No. 60 cap is not suitable for use in vacuum service with Style 009, Style 72 or 750 couplings.

No. 61 bull plugs should be used, request Publication 07.01 for more information.

Hole Cut Piping System

- In 1969, Victaulic developed the first outlet coupling and first direct flanged-to-grooved adapter
- Gaskets are molded to conform to the outside diameter of the pipe and are of a pressure responsive design
- Victaulic hole cut products are mounted to the pipe using either a locating collar (Style 920 and 920N) or a toe and heel (Style 923), and provide a smooth flow area
- For complete information request publication **11.01**

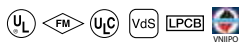
Hole Cutting Tools



Cut fast, accurate mid-pipe holes up to 4½"/108 mm with Victaulic hole cutting tools, see pg. 10-6.

Mechanical-T® Bolted Branch Outlet

STYLE 920 AND STYLE 920N
GROOVED OUTLET, PGS. 5-2-5-4



Mechanical-T Bolted Branch Outlet

STYLE 920 AND STYLE 920N
FEMALE THREADED OUTLET,
PGS. 5-2-5-4



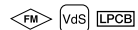
Mechanical-T Bolted Branch Outlet

STYLE 920 AND STYLE 920N
CROSS ASSEMBLIES, PGS. 5-5-5-8



FireLock Low-Profile Sprinkler Tee - EMEA only

STYLE 912, PG. 5-9



FireLock Outlet-T

STYLE 922, PG. 5-10



Vic-Let™ Strapless Outlet

STYLE 923, PG. 5-11



PRODUCTS

- 3-1 Couplings
- 4-1 Fittings
- 5-1 Hole Cut Piping System**
- 6-1 Valves and Accessories
- 7-1 FireLock Automatic Devices and Accessories
- 8-1 FireLock Automatic Sprinklers
- 9-1 Specialty Products
- 10-1 Pipe Preparation Tools
- 11-1 Product Index

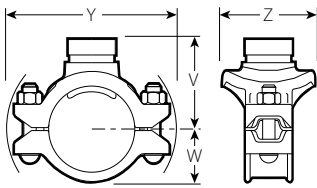
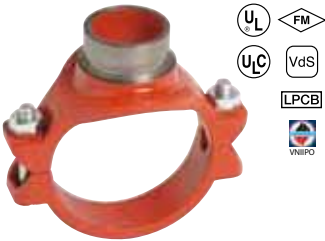
Hole Cut Piping System

Mechanical-T Bolted Branch Outlet

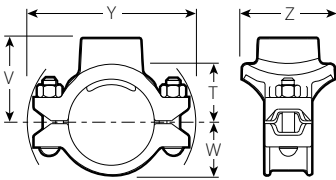
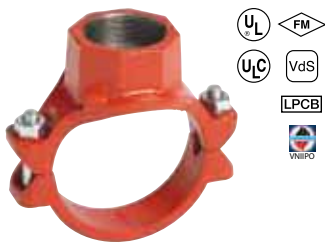
STYLE 920/920N

Grooved/Female Threaded Outlet

For Complete Information
Request Publication **11.02**



GROOVED OUTLET



FEMALE THREADED OUTLET

- Provide a direct branch connection at any location where a hole can be cut in the pipe
- A pressure responsive gasket provides the seal
- Pressure rated up to 400 psi/2750 kPa
- Sizes from 2 × ½"/50 × 15 mm through 8 × 4"/200 × 100 mm

Size	Style No.	Max. Work Pressure@	Dimensions							Approx. Weight Each			
			Run × Branch Nominal Size Inches mm	920 or 920N	psi kPa	Hole Diameter +0.13 -0.00	T ** Inches mm	V †# Threaded Inches mm	V † Grooved Inches mm	W Inches mm	Y Inches mm	Z Inches mm	Female Threaded Lbs. kg
2 50 ×	½ (a) † 15	920N	400 2750	1.50 38.1	2.00 51	2.53 64	—	1.61 41	5.35 136	2.75 70	3.1 1.5	—	
	¾ (a) † 20	920N	400 2750	1.50 38.1	1.97 50	2.53 64	—	1.61 41	5.35 136	2.75 70	3.1 1.5	—	
	1 (a) † 25	920N	400 2750	1.50 38.1	1.85 47	2.53 64	—	1.61 41	5.35 136	2.75 70	3.0 1.4	—	
	1 ¼ (a) † 32	920N	400 2750	1.75 44.5	2.05 52	2.75 70	3.00 76	1.61 41	5.35 136	3.00 76	3.5 1.7	3.2 1.5	
	1 ½ (a) † 40	920N	400 2750	1.75 44.5	2.03 52	2.75 70	3.12 79	1.61 41	5.35 136	3.25 83	3.6 1.7	3.2 1.5	
2 ½ 65 ×	½ (a) † 15	920N	400 2750	1.50 38.1	2.21 56	2.74 70	—	91.82 46	5.64 143	2.75 70	3.0 1.4	—	
	¾ (a) † 20	920N	400 2750	1.50 38.1	2.18 55	2.74 70	—	1.82 46	5.64 143	2.75 70	3.0 1.4	—	
	1 (a) † 25	920N	400 2750	1.50 38.1	2.06 52	2.74 70	—	1.82 46	5.64 143	2.75 70	2.9 1.4	—	
	1 ¼ (a) † 32	920N	400 2750	1.75 44.5	2.30 58	3.00 76	3.25 83	1.82 46	6.29 160	3.00 76	3.5 1.7	3.2 1.5	
	1 ½ (a) † 40	920N	400 2750	2.00 50.8	2.28 58	3.00 76	3.25 83	1.82 46	6.26 159	3.25 83	3.6 1.7	3.3 1.6	
76.1 ×	½ (a) † 15	920N	300 2065	1.50 38.1	2.22 56	2.75 70	—	2.25 57	6.46 164	3.18 81	3.9 1.8	—	
	¾ (a) † 20	920N	300 2065	1.50 38.1	2.19 56	2.75 70	—	2.25 57	6.46 164	3.18 81	3.9 1.8	—	
	1 (a) † 25	920N	300 2065	1.50 38.1	2.07 53	2.75 70	—	2.25 57	6.46 164	3.18 81	3.8 1.7	—	
	1 ¼ (a) † 32	920N	400 2750	1.75 44.5	2.30 58	3.00 76	3.31 84	1.92 49	6.29 160	3.00 76	3.5 1.6	3.2 1.5	
	1 ½ (a) † 40	920N	400 2750	2.00 50.8	2.28 58	3.00 76	3.31 84	1.92 49	6.29 160	3.25 83	3.5 1.6	3.3 1.5	
3 80 ×	½ (a) † 15	920N	400 2750	1.50 38.1	2.52 64	3.05 78	—	2.28 58	6.15 156	2.75 70	3.4 1.6	—	
	¾ (a) † 20	920N	400 2750	1.50 38.1	2.49 63	3.05 78	—	2.28 58	6.15 156	2.75 70	3.4 1.6	—	
	1 (a) † 25	920N	400 2750	1.50 38.1	2.38 61	3.06 78	—	2.28 58	6.15 156	2.75 70	3.3 1.6	—	
	1 ¼ (a) † 32 (b)	920N	400 2750	1.75 44.5	2.55 65	3.25 83	3.56 90	2.28 58	6.15 156	3.00 76	3.8 1.8	3.7 1.8	
	1 ½ (a) † 40 (b)	920N	400 2750	2.00 50.8	2.78 71	3.50 89	3.56 90	2.28 58	6.15 156	3.25 83	4.1 1.9	3.8 1.8	
3 ½ 90 ×	2 50	920N	400 2750	2.50 63.5	—	—	—	3.75 95	2.44 62	6.72 171	3.88 99	—	3.8 1.8
	4 100 ×	920N	400 2750	2.50 63.5	—	—	—	3.75 95	2.44 62	6.72 171	3.88 99	—	3.8 1.8
	½ (a) † 15	920N	400 2750	1.50 38.1	3.03 77	3.56 90	—	2.69 68	7.01 178	2.75 70	3.7 1.8	—	
	¾ (a) † 20	920N	400 2750	1.50 38.1	3.00 76	3.56 90	—	2.69 68	7.01 178	2.75 70	3.7 1.8	—	
	1 (a) † 25	920N	400 2750	1.50 38.1	2.88 73	3.56 90	—	2.69 68	7.01 178	2.75 70	3.6 1.8	—	
76.1 mm	1 ¼ (a) † 32 (b)	920N	400 2750	1.75 44.5	3.08 78	3.78 96	4.00 102	2.69 68	7.01 178	3.00 76	4.0 1.9	3.6 1.8	
	1 ½ (a) † 40 (b)	920N	400 2750	2.00 50.8	3.28 83	4.00 102	4.00 102	2.69 68	7.01 178	3.25 83	4.2 2.0	3.9 1.9	
	2 (a) † 50	920N	400 2750	2.50 63.5	3.25 83	4.00 102	4.00 102	2.69 68	7.01 178	3.88 99	5.0 2.3	4.6 2.1	
	2 ½ (a) † 65	920	400 2750	2.75 69.9	2.88 73	4.00 102	4.00 102	2.69 68	7.34 186	4.63 118	5.8 2.6	5.0 2.3	
	3 (a) † 80	920	400 2750	3.50 88.9	3.31 84	4.50 114	4.12 105	2.69 68	7.73 196	5.12 130	8.4 3.8	6.4 2.9	

TABLE CONTINUED ON PG. 5-3, SEE FOOTNOTES ON PG. 5-4

IMPORTANT NOTES:

Style 920 and Style 920N housings cannot be mated to one another to achieve cross connections.

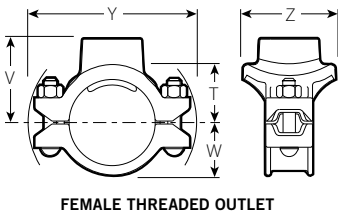
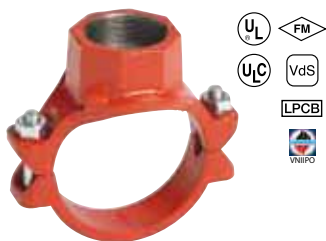
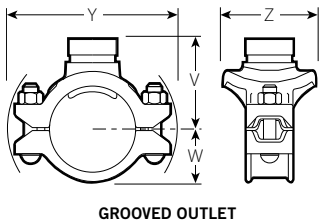
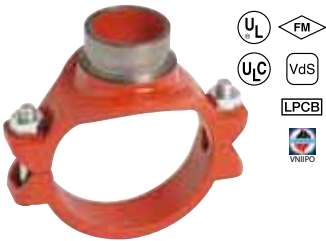


Hole Cut Piping System

Mechanical-T Bolted Branch Outlet (cont'd)

STYLE 920/920N
Grooved/Female Threaded Outlet

For Complete Information
Request Publication **11.02**



- Provide a direct branch connection at any location where a hole can be cut in the pipe
- A pressure responsive gasket provides the seal
- Pressure rated up to 400psi/2750 kPa
- Sizes from 2×½"/50×15 mm through 8×4"/200×100 mm

IMPORTANT NOTES:

Style 920 and Style 920N housings cannot be mated to one another to achieve cross connections.

Size	Style No.	Max. Work Pressure@	Dimensions							Approx. Weight Each		
			Run × Branch Nominal Size Inches mm	920 or 920N	psi kPa	Hole Diameter +0.13 -0.00	T ** Inches mm	V †# Threaded Inches mm	V ‡ Grooved Inches mm	W Inches mm	Y Inches mm	Z Inches mm
TABLE CONTINUED FROM PG. 5-2												
108.0 ×	1 ¼ (a) 32	920N	400 2750	1.75 44.5	3.08 78	3.78 96	—	2.63 67	7.64 194	3.05 78	5.0 2.3	—
	1 ½ (a) 40	920N	400 2750	2.00 50.8	3.28 83	4.00 102	—	2.63 67	7.64 194	3.25 83	5.0 2.3	—
	2 (a) 50	920N	400 2750	2.50 63.5	3.25 83	4.00 102	—	2.63 67	7.64 194	4.00 102	4.0 1.9	—
	76.1 mm	920	400 2750	2.75 69.9	2.88 73	4.00 102	4.00 102	2.63 67	7.64 194	4.29 109	8.0 3.6	—
	3 (a) 80	920	400 2750	3.50 88.9	3.31 84	4.50 114	—	2.63 67	7.63 194	4.88 124	6.8 3.1	6.5 3.0
5 125 ×	1 ½ (a) 40	920	400 2750	2.00 50.8	4.03 102	4.75 121	4.75 121	3.16 80	9.70 246	3.69 94	7.4 3.4	7.6 3.4
	2 (a) 50	920	400 2750	2.50 63.5	4.00 102	4.75 121	4.75 121	3.16 80	9.70 246	4.38 111	8.2 3.7	8.0 3.6
	2 ½ (a) 65	920	400 2750	2.75 69.9	3.63 92	4.75 121	4.75 121	3.16 80	9.70 246	4.63 118	8.3 3.8	7.9 3.6
	76.1 mm 3/4	920	400 2750	2.75 69.9	—	—	—	4.75 121	9.70 246	4.63 118	—	8.0 3.6
	3 (a) 80	920	400 2750	3.50 88.9	3.81 97	5.00 127	4.63 118	3.16 80	9.70 246	5.31 135	8.4 3.8	8.8 4.0
133.0 ×	2 5/8	920N	400 2750	2.50 63.5	3.75 95	4.50 114	—	3.17 81	8.00 203	3.88 99	8.0 3.6	—
	3 80	920	400 2750	3.50 88.9	3.81 97	5.00 127	—	3.00 76	9.46 240	5.31 135	8.0 3.6	—
139.7 ×	1 ½ 40	920N	400 2750	2.00 50.8	3.78 96	4.50 114	—	3.30 84	8.23 209	3.25 83	7.0 3.2	—
	2 50	920N	400 2750	2.50 63.5	3.75 95	4.50 114	—	3.30 84	8.23 209	3.88 99	9.0 4.1	—
	76.1 mm	920	400 2750	2.75 69.9	3.63 92	4.75 121	—	3.13 80	9.85 250	4.63 118	8.8 4.0	—
	76.1 mm	920	400 2750	3.50 88.9	—	—	—	4.63 118	9.70 246	5.31 135	—	11.0 5.0
	3 88.9	920	400 2750	3.50 88.9	3.81 96.80	5.00 127	4.63 118	3.16 80	9.85 250	5.38 137	14.0 6.4	14.2 6.4
6 150 ×	1 ¼ (a) 32 (b)	920N	400 2750	1.75 44.5	4.43 112	—	—	3.79 96	9.15 232	3.25 83	—	4.8 2.2
	1 ½ (a) 40 (b)	920N	400 2750	2.00 50.8	4.40 112	5.13 130	5.13 130	3.79 96	9.15 232	3.25 83	5.4 2.4	5.1 2.3
	2 (a) 50	920N	400 2750	2.50 63.5	4.38 111	5.13 130	5.13 130	3.79 96	9.15 232	3.88 99	6.0 2.7	5.6 2.5
	2 ½ (a) 65	920	400 2750	2.75 69.9	4.01 110	5.13 130	5.12 130	3.69 94	10.51 267	4.63 118	8.3 3.8	7.6 3.4
	76.1 mm 3/4	920	400 2750	2.75 69.9	—	—	—	5.21 132	10.51 267	4.63 118	—	8.4 3.8
	3 (a) 80	920	300 2065	3.50 88.9	4.31 110	5.50 140	5.13 130	3.69 94	10.51 267	5.31 135	9.9 4.5	8.4 3.8
	4 (a) 100	920	300 2065	4.50 114.3	3.81 97	5.75 146	5.38 137	3.69 94	10.51 267	6.25 159	10.1 4.6	10.1 4.6
159.0 ×	1 ¼ 32	920N	400 2750	1.75 44.5	4.43 113	5.13 130	—	3.63 92	9.40 239	3.25 83	9.0 4.1	8.7 4.0
	1 ½ (a) 40	920N	400 2750	2.00 50.8	4.41 112	5.13 130	—	3.63 92	9.40 239	3.25 83	7.8 3.5	—
	2 (a) 50	920N	400 2750	2.50 63.5	4.38 111	5.13 130	—	3.63 92	9.40 239	3.88 99	8.0 3.6	—
	76.1 mm	920	400 2750	2.75 69.9	4.38 111	5.50 140	5.13 130	3.63 92	9.40 239	4.63 118	9.5 4.3	9.5 4.3
	3 80	920	400 2750	3.50 88.9	4.31 110	5.50 140	5.13 130	3.63 92	9.40 239	5.31 135	8.1 3.7	14.0 6.4
	108.1 mm	920	400 2750	4.50 114.3	—	—	—	5.38 137	9.40 239	6.12 155	—	10.0 4.5
	4 100	920	400 2750	4.50 114.3	3.81 96.80	5.75 146	—	3.63 92	9.40 239	6.25 159	18.0 8.2	—
165.1 ×	1 25	920N	400 2750	1.50 38.1	3.88 99	4.56 116	—	3.79 96	9.34 237	2.75 70	8.0 3.6	—
	1 ¼ 32	920N	400 2750	1.75 44.5	4.43 113	5.13 130	—	3.79 96	9.34 237	3.25 83	8.4 3.8	—
	1 ½ (a) 40	920N	400 2750	2.00 50.8	4.41 112	5.13 130	—	3.79 96	9.34 237	3.25 83	8.4 3.8	—

TABLE CONTINUED ON PG. 5-4, SEE FOOTNOTES ON PG. 5-4

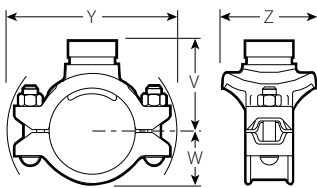
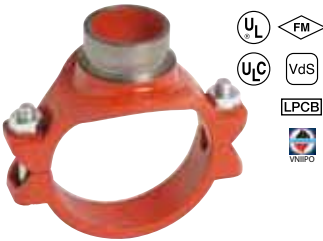
Hole Cut Piping System

Mechanical-T Bolted Branch Outlet (cont'd)

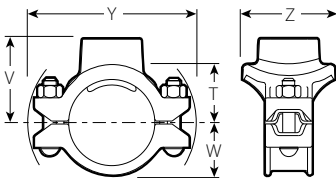
STYLE 920/920N

Grooved/Female Threaded Outlet

For Complete Information
Request Publication **11.02**



GROOVED OUTLET



FEMALE THREADED OUTLET

- Provide a direct branch connection at any location where a hole can be cut in the pipe
- A pressure responsive gasket provides the seal
- Pressure rated up to 400 psi/2750 kPa
- Sizes from 2 x 1/2"/50 x 15 mm through 8 x 4"/200 x 100 mm

IMPORTANT NOTES:

Style 920 and Style 920N housings cannot be mated to one another to achieve cross connections.

Size	Style No.	Max. Work Pressure@	Dimensions							Approx. Weight Each		
			Run x Branch Nominal Size Inches mm	920 or 920N	psi kPa	Hole Diameter +0.13 -0.00	T ** Inches mm	V ‡# Threaded Inches mm	V ‡ Grooved Inches mm	W Inches mm	Y Inches mm	Z Inches mm
TABLE CONTINUED FROM PG. 5-3												
165.1 x	2 (a) † 50	920N	400 2750	2.50 63.5	4.38 111	5.13 ‡ 130	—	3.79 96	9.34 237	3.88 99	8.5 3.9	—
	2 1/2 † ‡ 65	920	400 2750	2.75 69.9	4.01 110	5.13 130	—	3.63 92	10.51 267	4.63 118	8.6 3.9	7.6 3.4
	76.1 mm	920	400 2750	2.75 69.9	4.01 110	5.13 130	5.21 ‡ 132	3.63 92	10.51 267	4.63 118	8.6 3.9	7.6 3.4
	3 (a) †* 80	920	400 2750	3.50 88.9	4.31 110	5.50 140	5.13 ‡ 130	3.63 92	10.51 267	5.31 135	10.2 4.6	8.4 3.8
8 200 x	4 (a) † ‡ 100	920	400 2750	4.50 114.3	3.81 97	5.75 146	5.38 137	3.63 92	10.51 267	6.25 159	10.5 4.8	8.4 3.8
	2 (a) † 50	920	400 2750	2.75 69.9	5.44 138	6.19 157	6.25 ‡ 159	4.81 122	12.42 316	4.50 114	11.6 5.3	11.6 5.3
	2 1/2 (a) † 65	920	400 2750	2.75 69.9	5.07 129	6.19 157	6.19 157	4.81 122	12.42 316	4.50 114	11.6 5.3	11.6 5.3
	76.1 mm ‡	920	400 2750	2.75 69.9	—	—	6.25 ‡ 159	4.81 122	12.42 316	4.56 116	—	11.6 5.3
	3 (a) † ‡ 80	920	300 2065	3.50 88.9	5.31 135	6.50 165	6.50 165	4.81 122	12.42 316	5.31 135	12.6 5.7	11.6 5.3
	4 (a) † ‡ 100	920	300 2065	4.50 114.3	4.81 122	6.75 171	6.38 162	4.81 122	12.42 316	6.25 159	15.3 6.9	12.5 5.7

** Center of run to engaged pipe end, female threaded outlet only (dimensions approximate).

† Available with grooved or female threaded outlet. Specify choice on order.

‡ Center of run to end of fitting.

Female threaded outlets are available to NPT and BSPT specifications.

@ These pressure ratings are general guidelines. Please consult Publication 10.01 for specific pressure ratings by type of pipe and regulatory agency.

(a) British Standard female pipe threaded outlet is available as listed. Specify "BSPT" clearly on order.

(b) For 76.1 mm threaded outlet, specify 2 1/2" BSPT clearly on order.

§ VdS approved for fire protection services. Consult publication 10.01 for additional information.

‡ LPCB approved for fire protection services. Consult publication 10.01 for additional information.

* Approved for use in China by Tianjin Approvals Company.

Hole Cut Piping System

Mechanical-T Bolted Branch Outlet

STYLE 920/920N CROSS ASSEMBLIES

Grooved/Female Threaded Outlet

For Complete Information Request Publication **11.03**



- Available grooved and threaded
- Provides a direct branch connection at any location where a hole can be cut in the pipe
- A pressure responsive gasket provides the seal
- Pressure rated up to 400psi/2750 kPa
- Sizes from 2 × ½ × ½"/50 × 15 × 15 mm through 8 × 4 × 4"/200 × 100 × 100 mm

Size			Style No.	Max. Work Pressure [Ⓐ]	Dimensions										
Nominal Size Inches mm					Branch A				Branch B						
Run	×	Branch A			×	Branch B	Outlet Type Take Out Dimensions ‡		Hole Size Diameter		Outlet Type Take Out Dimensions ‡		Hole Size Diameter		
							Grooved Inches mm	Threaded Inches mm	Required Inches mm	Maximum Inches mm	Grooved Inches mm	Threaded Inches mm	Required Inches mm	Maximum Inches mm	
2 50	×	½ 15	×	½ 15	920N	400 2750	—	2.00 51	1.50 38	1.63 41	—	2.00 51	1.50 38	1.63 41	
				¾ 20	920N	400 2750	—	2.00 51	1.50 38	1.63 41	—	1.97 50	1.50 38	1.63 41	
		1 25	×	1 25	920N	400 2750	—	2.00 51	1.50 38	1.63 41	—	1.81 46	1.50 38	1.63 41	
				1¼ 32	920N	400 2750	—	2.00 51	1.50 38	1.63 41	3.00 76	2.04 52	1.75 44	1.88 48	
		1½ 40	×	1½ 40	920N	400 2750	—	2.00 51	1.50 38	1.63 41	3.12 79	2.03 52	1.75 44	1.88 48	
				¾ 20	920N	400 2750	—	1.97 50	1.50 38	1.63 41	—	1.97 50	1.50 38	1.63 41	
	¾ 20	×	¾ 20	1 25	920N	400 2750	—	1.97 50	1.50 38	1.63 41	—	1.81 46	1.50 38	1.63 41	
				1¼ 32	920N	400 2750	—	1.97 50	1.50 38	1.63 41	3.00 76	2.04 52	1.75 44	1.88 48	
				1½ 40	920N	400 2750	—	1.97 50	1.50 38	1.63 41	3.12 79	2.03 52	1.75 44	1.88 48	
		1 25	×	1 25	920N	400 2750	—	1.81 46	1.50 38	1.63 41	—	1.81 46	1.50 38	1.63 41	
				1¼ 32	920N	400 2750	—	1.81 46	1.50 38	1.63 41	3.00 76	2.04 52	1.75 44	1.88 48	
				1½ 40	920N	400 2750	—	1.81 46	1.50 38	1.63 41	3.12 79	2.03 52	1.75 44	1.88 48	
1½ 40	×	1¼ 32	×	1¼ 32	920N	400 2750	3.00 76	2.04 52	1.75 44	1.88 48	3.00 76	2.04 52	1.75 44	1.88 48	
				1½ 40	920N	400 2750	3.00 76	2.03 52	1.75 44	1.88 48	3.00 76	2.03 52	1.75 44	1.88 48	
		1½ 40	×	1½ 40	920N	400 2750	3.12 79	2.03 52	1.75 44	1.88 48	3.12 79	2.03 52	1.75 44	1.88 48	
				¾ 20	920N	400 2750	—	2.21 56	1.50 38	1.63 41	—	2.21 56	1.50 38	1.63 41	
		¾ 20	×	¾ 20	1 25	920N	400 2750	—	2.21 56	1.50 38	1.63 41	—	2.06 52	1.50 38	1.63 41
					1¼ 32	920N	400 2750	—	2.21 56	1.50 38	1.63 41	3.00 76	2.29 58	1.75 44	1.88 48
	1½ 40				920N	400 2750	—	2.21 56	1.50 38	1.63 41	3.12 79	2.27 58	2.00 51	2.13 54	
	1 25		×	1 25	920N	400 2750	—	2.18 55	1.50 38	1.63 41	—	2.18 55	1.50 38	1.63 41	
				1¼ 32	920N	400 2750	—	2.18 55	1.50 38	1.63 41	3.25 83	2.29 58	1.75 44	1.88 48	
				1½ 40	920N	400 2750	—	2.18 55	1.50 38	1.63 41	3.25 83	2.27 58	2.00 51	2.13 54	
	1¼ 32	×	1¼ 32	1¼ 32	920N	400 2750	3.25 83	2.29 58	1.75 44	1.88 48	3.25 83	2.29 58	1.75 44	1.88 48	
				1½ 40	920N	400 2750	3.25 83	2.27 58	2.00 51	2.13 54	3.25 83	2.29 58	1.75 44	1.88 48	
1½ 40				920N	400 2750	3.25 83	2.27 58	2.00 51	2.13 54	3.25 83	2.27 58	2.00 51	2.13 54		

TABLE CONTINUED ON PG. 5-6, SEE FOOTNOTES ON PG. 5-8

IMPORTANT NOTES:

Style 920 and Style 920N housings cannot be mated to one another to achieve cross connections.

Hole Cut Piping System

Mechanical-T Bolted Branch Outlet

STYLE 920/920N CROSS ASSEMBLIES

Grooved/Female Threaded Outlet

For Complete Information Request Publication **11.03**



- Available grooved and threaded
- Provides a direct branch connection at any location where a hole can be cut in the pipe
- A pressure responsive gasket provides the seal
- Pressure rated up to 400 psi/2750 kPa
- Sizes from 2 × ½ × ½"/50 × 15 × 15 mm through 8 × 4 × 4"/200 × 100 × 100 mm

IMPORTANT NOTES:

Style 920 and Style 920N housings cannot be mated to one another to achieve cross connections.

Size			Style No.	Max. Work Pressure@	Dimensions								
Nominal Size Inches mm					Branch A				Branch B				
Run	Branch A	Branch B			Outlet Type Take Out Dimensions ‡		Hole Size Diameter		Outlet Type Take Out Dimensions ‡		Hole Size Diameter		
			Grooved Inches mm	Threaded Inches mm	Required Inches mm	Maximum Inches mm	Grooved Inches mm	Threaded Inches mm	Required Inches mm	Maximum Inches mm			
TABLE CONTINUED FROM PG. 5-5													
3 80	× ½ 15	× ½ 15	920N	400 2750	—	2.53 64	1.50 38	1.63 41	—	2.53 64	1.50 38	1.63 41	
		× ¾ 20	920N	400 2750	—	2.53 64	1.50 38	1.63 41	—	2.50 64	1.50 38	1.63 41	
		× 1 25	920N	400 2750	—	2.53 64	1.50 38	1.63 41	—	2.37 60	1.50 38	1.63 41	
		× 1¼ 32	920N	400 2750	—	2.53 64	1.50 38	1.63 41	3.56 90	2.54 65	1.75 44	1.88 48	
		× 1½ 40	920N	400 2750	—	2.53 64	1.50 38	1.63 41	3.56 90	2.77 70	2.00 51	2.13 54	
		× 2 50	920N	400 2750	—	2.53 64	1.50 38	1.63 41	3.56 90	2.74 70	2.50 64	2.63 67	
	¾ 20	× ¾ 20	920N	400 2750	—	2.50 64	1.50 38	1.63 41	—	2.50 64	1.50 38	1.63 41	
		× 1 25	920N	400 2750	—	2.50 64	1.50 38	1.63 41	—	2.37 60	1.50 38	1.63 41	
		× 1¼ 32	920N	400 2750	—	2.50 64	1.50 38	1.63 41	3.56 90	2.54 65	1.75 44	1.88 48	
		× 1½ 40	920N	400 2750	—	2.50 64	1.50 38	1.63 41	3.56 90	2.77 70	2.00 51	2.13 54	
		× 2 50	920N	400 2750	—	2.50 64	1.50 38	1.63 41	3.56 90	2.74 70	2.50 64	2.63 67	
		× 1 25	920N	400 2750	—	2.37 60	1.50 38	1.63 41	—	2.37 60	1.50 38	1.63 41	
		× 1¼ 32	920N	400 2750	—	2.37 60	1.50 38	1.63 41	3.56 90	2.77 70	2.00 51	2.13 54	
		× 2 50	920N	400 2750	—	2.37 60	1.50 38	1.63 41	3.56 90	2.74 70	2.50 64	2.63 67	
	1¼ 32	× 1¼ 32	920N	400 2750	3.56 90	2.54 65	1.75 44	1.88 48	3.56 90	2.54 65	1.75 44	1.88 48	
		× 2 50	920N	400 2750	3.56 90	2.54 65	1.75 44	1.88 48	3.56 90	2.74 70	2.50 64	2.63 67	
	1½ 40	× 1¼ 32	920N	400 2750	3.56 90	2.77 70	2.00 51	2.13 54	3.56 90	2.54 65	1.75 44	1.88 48	
		× 1½ 40	920N	400 2750	3.56 90	2.77 70	2.00 51	2.13 54	3.56 90	2.77 70	2.00 51	2.13 54	
		× 2 50	920N	400 2750	3.56 90	2.77 70	2.00 51	2.13 54	3.56 90	2.74 70	2.50 64	2.63 67	
		× 2 50	920N	400 2750	3.56 90	2.74 70	2.50 64	2.63 67	3.56 90	2.74 70	2.50 64	2.63 67	
3½ 90	× 2 50	× 2 50	920N	400 2750	3.75 95	—	2.50 64	2.63 67	3.75 95	—	2.50 64	2.63 67	
4 100	× ½ 15	× ½ 15	920N	400 2750	—	3.03 77	1.50 38	1.63 41	—	3.03 77	1.50 38	1.63 41	
		× ¾ 20	920N	400 2750	—	3.03 77	1.50 38	1.63 41	—	3.00 76	1.50 38	1.63 41	
		× 1 25	920N	400 2750	—	3.03 77	1.50 38	1.63 41	—	2.88 73	1.50 38	1.63 41	
		× 1¼ 32	920N	400 2750	—	3.03 77	1.50 38	1.63 41	4.00 102	3.07 78	1.75 44	1.88 48	
		× 1½ 40	920N	400 2750	—	3.03 77	1.50 38	1.63 41	4.00 102	3.28 83	2.00 51	2.13 54	
		× 2 50	920N	400 2750	—	3.03 77	1.50 38	1.63 41	4.00 102	3.24 82	2.50 64	2.88 67	
	¾ 20	× ¾ 20	920	400 2750	—	3.00 76	1.50 38	1.63 41	—	3.00 76	1.50 38	1.63 41	
		× 1 25	920	400 2750	—	3.00 76	1.50 38	1.63 41	—	2.88 73	1.50 38	1.63 41	
		× 1¼ 32	920N	400 2750	—	3.00 76	1.50 38	1.63 41	4.00 102	3.07 78	1.75 44	1.88 48	
		× 1½ 40	920N	400 2750	—	3.00 76	1.50 38	1.63 41	4.00 102	3.28 83	2.00 51	2.13 54	
		× 2 50	920N	400 2750	—	3.00 76	1.50 38	1.63 41	4.00 102	3.24 82	2.50 64	2.63 67	

TABLE CONTINUED ON PG. 5-7, SEE FOOTNOTES ON PG. 5-8



Hole Cut Piping System

Mechanical-T Bolted Branch Outlet

STYLE 920/920N CROSS ASSEMBLIES

Grooved/Female Threaded Outlet

For Complete Information Request Publication **11.03**



- Available grooved and threaded
- Provides a direct branch connection at any location where a hole can be cut in the pipe
- A pressure responsive gasket provides the seal
- Pressure rated up to 400 psi/2750 kPa
- Sizes from 2 × ½ × ½"/50 × 15 × 15 mm through 8 × 4 × 4"/200 × 100 × 100 mm

Size			Style No.	Max. Work Pressure@	Dimensions									
Nominal Size Inches mm	Run	Branch A			Branch B	Branch A				Branch B				
						Outlet Type Take Out Dimensions †		Hole Size Diameter		Outlet Type Take Out Dimensions †		Hole Size Diameter		
				Grooved Inches mm	Threaded Inches mm	Required Inches mm	Maximum Inches mm	Grooved Inches mm	Threaded Inches mm	Required Inches mm	Maximum Inches mm			
TABLE CONTINUED FROM PG. 5-6														
4 100	×	1 25	×	1 25	920N	400 2750	—	2.88 73	1.50 38	1.63 41	—	2.88 73	1.50 38	1.63 41
				1 ¼ 32	920N	400 2750	—	2.88 73	1.50 38	1.63 41	4.00 102	3.07 78	1.75 44	1.88 48
				1 ½ 40	920N	400 2750	—	2.88 73	1.50 38	1.63 41	4.00 102	3.28 83	2.00 51	2.13 54
				2 50	920N	400 2750	—	2.88 73	1.50 38	1.63 41	4.00 102	3.24 82	2.50 64	2.63 67
		1 ¼ 32	×	1 ¼ 32	920N	400 2750	4.00 102	3.07 78	1.75 44	1.88 48	4.00 102	3.07 78	1.75 44	1.88 48
				1 ½ 40	920N	400 2750	4.00 102	3.07 78	1.75 44	1.88 48	4.00 102	3.28 83	2.00 51	2.13 54
				2 50	920N	400 2750	4.00 102	3.07 78	1.75 44	1.88 48	4.00 102	3.24 82	2.50 64	2.63 67
		1 ½ 40	×	1 ¼ 32	920N	400 2750	4.00 102	3.28 83	2.00 51	2.13 54	4.00 102	3.07 78	1.75 44	1.88 48
				1 ½ 40	920N	400 2750	4.00 102	3.28 83	2.00 51	2.13 54	4.00 102	3.28 83	2.00 51	2.13 54
				2 50	920N	400 2750	4.00 102	3.28 83	2.00 51	2.13 54	4.00 102	3.24 82	2.50 64	2.63 67
		2 50	×	2 50	920N	400 2750	4.00 102	3.24 82	2.50 64	2.63 67	4.00 102	3.24 82	2.50 64	2.63 67
				2 ½ 65	920	400 2750	4.00 102	3.06 78	2.75 70	2.88 73	4.00 102	3.06 78	2.75 70	2.88 73
				76.1	920	400 2750	4.00 102	3.06 78	2.75 70	2.88 73	4.00 102	—	2.75 70	2.88 73
		76.1	×	76.1	920	400 2750	4.00 102	—	2.75 70	2.88 73	4.00 102	—	2.75 70	2.88 73
				3 80	920	400 2750	4.00 102	—	2.75 70	2.88 73	4.13 105	3.50 89	3.50 89	3.63 92
				3 80	920	400 2750	4.13 105	3.50 89	3.50 89	3.63 92	4.00 102	3.06 78	2.75 70	2.88 73
		3 80	×	2 ½ 65	920	400 2750	4.13 105	3.50 89	3.50 89	3.63 92	4.00 102	3.06 78	2.75 70	2.88 73
				3 80	920	400 2750	4.13 105	3.50 89	3.50 89	3.63 92	4.13 105	3.50 89	3.50 89	3.63 92
				3 80	920	400 2750	4.13 105	3.50 89	3.50 89	3.63 92	4.13 105	3.50 89	3.50 89	3.63 92
5 125	×	1 ½ 40	×	1 ½ 40	920	400 2750	4.75 121	4.06 103	2.00 51	2.13 54	4.75 121	4.06 103	2.00 51	2.13 54
				76.1	920	400 2750	4.75 121	4.06 103	2.00 51	2.13 54	—	3.81 97	2.75 70	2.88 73
		2 50	×	1 ½ 40	920	400 2750	4.75 121	4.06 103	2.50 64	2.13 54	4.75 121	4.06 103	2.00 51	2.13 54
				2 50	920	400 2750	4.75 121	4.06 103	2.50 64	2.63 67	4.75 121	4.06 103	2.50 64	2.63 67
				76.1	920	400 2750	4.75 121	4.06 103	2.50 64	2.63 67	—	3.81 97	3.50 89	3.63 92
		2 ½ 65	×	1 ½ 40	920	400 2750	4.75 121	3.81 97	2.75 70	2.88 73	4.75 121	4.06 103	2.00 51	2.13 54
				2 50	920	400 2750	4.75 121	3.81 97	2.75 70	2.88 73	4.75 121	4.06 103	2.50 64	2.63 67
				2 ½ 65	920	400 2750	4.75 121	3.81 97	2.75 70	2.88 73	4.75 121	3.81 97	2.75 70	2.88 73
		76.1	×	76.1	920	400 2750	—	3.81 97	3.50 89	3.63 92	—	3.81 97	3.50 89	3.63 92
				3 80	920	400 2750	—	3.81 97	3.50 89	3.63 92	4.63 118	4.00 102	3.50 89	3.63 92
				3 80	920	400 2750	4.63 118	4.00 102	3.50 89	3.63 92	4.75 121	4.06 103	2.00 51	2.13 54
				2 50	×	1 ½ 40	920	400 2750	4.63 118	4.00 102	3.50 89	3.63 92	4.75 121	4.06 103
2 ½ 65	920					400 2750	4.63 118	4.00 102	3.50 89	3.63 92	4.75 121	3.81 97	2.75 70	2.88 73
3 80	920					400 2750	4.63 118	4.00 102	3.50 89	3.63 92	4.63 118	4.00 102	3.50 89	3.63 92

TABLE CONTINUED ON PG. 5-8, SEE FOOTNOTES ON PG. 5-8

IMPORTANT NOTES:

Style 920 and Style 920N housings cannot be mated to one another to achieve cross connections.

Hole Cut Piping System

Mechanical-T Bolted Branch Outlet

STYLE 920/920N CROSS ASSEMBLIES

Grooved/Female Threaded Outlet

For Complete Information Request Publication **11.03**



- Available grooved and threaded
- Provides a direct branch connection at any location where a hole can be cut in the pipe
- A pressure responsive gasket provides the seal
- Pressure rated up to 400 psi/2750 kPa
- Sizes from 2 × ½ × ½"/50 × 15 × 15 mm through 8 × 4 × 4"/200 × 100 × 100 mm

Size	Style No.	Max. Work Pressure@	Dimensions											
			Branch A					Branch B						
			Outlet Type Take Out Dimensions ‡		Hole Size Diameter		Outlet Type Take Out Dimensions ‡		Hole Size Diameter					
			Grooved Inches mm	Threaded Inches mm	Required Inches mm	Maximum Inches mm	Grooved Inches mm	Threaded Inches mm	Required Inches mm	Maximum Inches mm				
TABLE CONTINUED FROM PG. 5-7														
6 150	×	1 ¼ 32	×	1 ¼ 32	920N	400 2750	5.13 130	—	1.75 44	1.88 48	5.13 130	—	1.75 44	1.88 48
					920N	400 2750	5.13 130	—	1.75 44	1.88 48	5.13 130	4.40 112	2.00 51	2.13 54
				2 50	920N	400 2750	5.13 130	—	1.75 44	1.88 48	5.13 130	4.37 111	2.50 64	2.63 67
					920N	400 2750	5.13 130	4.40 112	2.00 51	2.13 54	5.13 130	4.40 112	2.00 51	2.13 54
1 ½ 40	×	1 ½ 40	×	2 50	920N	400 2750	5.13 130	4.40 112	2.00 51	2.13 54	5.13 130	4.37 111	2.50 64	2.63 67
					920N	400 2750	5.13 130	4.40 112	2.00 51	2.13 54	5.13 130	4.37 111	2.50 64	2.63 67
2 50	×	2 50	×	2 50	920N	400 2750	5.13 130	4.37 111	2.50 64	2.63 67	5.13 130	4.37 111	2.50 64	2.63 67
					920	400 2750	5.13 130	4.19 106	2.75 70	2.88 73	5.13 130	4.19 106	2.75 70	2.88 73
2 ½ 65	×	2 ½ 65	×	76.1	920	400 2750	5.13 130	4.19 106	2.75 70	2.88 73	5.21 132	—	2.75 70	2.88 73
					920	400 2065	5.13 130	4.50 114	3.50 89	3.63 92	5.13 130	4.19 106	2.75 70	2.88 73
3 80	×	2 ½ 65	×	3 80	920	300 2065	5.13 130	4.50 114	3.50 89	3.63 92	5.13 130	4.50 114	3.50 89	3.63 92
					920	300 2065	5.38 137	4.25 108	4.50 114	4.63 118	5.13 130	4.19 106	2.75 70	2.88 73
4 100	×	2 ½ 65	×	3 80	920	300 2065	5.38 137	4.25 108	4.50 114	4.63 118	5.38 137	4.25 108	4.50 114	4.63 118
					920	300 2065	5.38 137	4.25 108	4.50 114	4.63 118	5.38 137	4.25 108	4.50 114	4.63 118
8 200	×	2 50	×	2 50	920	400 2750	—	5.19 132	2.75 70	2.88 73	—	5.19 132	2.75 70	2.88 73
					920	400 2750	—	5.19 132	2.75 70	2.88 73	6.25 159	5.19 132	2.75 70	2.88 73
				76.1	920	400 2750	—	5.19 132	2.75 70	2.88 73	—	5.19 132	2.75 70	2.88 73
					920	400 2750	—	5.19 132	2.75 70	2.88 73	6.25 159	5.50 140	3.50 89	3.63 92
3 80	×	2 ½ 65	×	3 80	920	300 2065	6.25 159	5.50 140	3.50 89	3.63 92	6.25 159	5.19 132	2.75 70	2.88 73
					920	300 2065	6.25 159	5.50 140	3.50 89	3.63 92	6.25 159	5.50 140	3.50 89	3.63 92
4 100	×	2 ½ 65	×	4 100	920	300 2065	6.38 162	5.31 135	4.50 114	4.63 118	6.25 159	5.19 132	2.75 70	2.88 73
					920	300 2065	6.38 162	5.31 135	4.50 114	4.63 118	6.25 159	5.50 140	3.50 89	3.63 92
4 100	×	2 ½ 65	×	4 100	920	300 2065	6.38 162	5.31 135	4.50 114	4.63 118	6.38 162	5.31 135	4.50 114	4.63 118
					920	300 2065	6.38 162	5.31 135	4.50 114	4.63 118	6.38 162	5.31 135	4.50 114	4.63 118

@ These pressure ratings are general guidelines. Please consult Publication 10.01 for specific pressure ratings by type of pipe.

‡ Center of run to engage pipe end (dimensions approximate).

IMPORTANT NOTES:

Style 920 and Style 920N housings cannot be mated to one another to achieve cross connections.



Hole Cut Piping System

FireLock Low-Profile Sprinkler Tee - EMEA only

STYLE 912

For Complete Information
Request Publication **10.53**

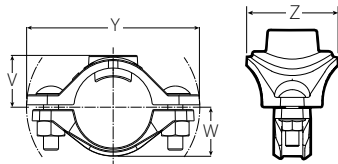


- provides 1/2"/15 mm outlet for connecting sprinklers
- FM Approved for 300 psi/ 2068 kPa
- LPCB and VdS approved for 20 bar/232 psi
- Available in EMEA only
- Sizes from 1 - 1 1/2"/25 - 40mm
- To be used for sprinklers only

Nominal Size (inches) Actual (mm)			Hole Diameter					Approximate Weight Each
Run x Branch FPT†			+0.06/+1.5 -0.00/-0,0	V	W	Y	Z	lbs/kg
1 33.7	x	1/2 21.3	1 5/16 24.0	1.00 25.4	0.90 22.9	3.72 94.6	1.50 38.1	0.67 0.30
1 1/4 42.4	x	1/2 21.3	1 5/16 24.0	1.17 29.8	1.10 27.9	4.12 104.7	1.50 38.1	0.74 0.33
1 1/2 48.3	x	1/2 21.3	1 5/16 24.0	1.29 32.8	1.22 31.0	4.32 109.8	1.50 38.1	0.76 0.34

† Victaulic female threaded products are designed to accommodate standard NPT or BSPT (optional) male pipe threads only. Use of male threaded products with special features, such as probes, dry pendent sprinklers, etc., should be verified as suitable for use with this Victaulic product. Failure to verify suitability in advance may result in assembly problems or leakage.

* Center of run to engaged pipe end for NPT threads (dimensions are approximate).



Hole Cut Piping System

FireLock Outlet-T

STYLE 922

For Complete Information
Request Publication **10.52**

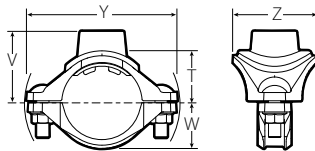


- Incorporates 1/2–1" / 10–25 mm outlets for directly connecting sprinklers, drop nipples, sprigs, gauges, drains and other outlet products
- UL/ULC Listed, LPCB, VdS/FM Approved for branch connections on wet and dry systems
- Style 922 FireLock Outlet-Ts are not approved for cross configurations
- Pressure rated up to 300 psi/ 2065 kPa and rated up to 230 psi/16 Bar at the ambient temperatures typical for fire protection systems
- Sizes from 1 1/4 x 1/2" / 32 x 15 mm through 2 1/2 x 1" / 76.1 x 25 mm

Size		Hole Diameter	Dimensions					Approx. Wgt. Each
Run x Branch Female Pipe Threads †			T * Inches mm	V Inches mm	W Inches mm	Y Inches mm	Z Inches mm	Lbs. kg
Nominal Size Inches mm		+0.06/+1.5 -0.00/-0.0						
1 1/4 32	x 15	1 3/8 30.2	1.30 33.0	1.83 46.5	1.10 27.9	3.87 98.3	2.56 65.0	1.0 0.45
		3/4 20	1.28 32.5	1.83 46.5	1.10 27.9	3.87 98.3	2.56 65.0	1.1 0.50
		1 25	1.52 38.6	2.18 55.4	1.10 27.9	3.87 98.3	2.56 65.0	1.2 0.54
1 1/2 40	x 15	1 3/8 30.2	1.42 36.1	1.95 49.5	1.22 31.0	4.08 103.6	2.56 65.0	1.2 0.54
		3/4 20	1.40 35.6	1.95 49.5	1.22 31.0	4.08 103.6	2.56 65.0	1.2 0.54
		1 25	1.64 41.7	2.30 58.4	1.22 31.0	4.08 103.6	2.56 65.0	1.3 0.59
2 50	x 15	1 3/8 30.2	1.66 42.2	2.19 55.6	1.46 37.1	4.60 116.8	2.56 65.0	1.3 0.59
		3/4 20	1.64 41.7	2.19 55.6	1.46 37.1	4.60 116.8	2.56 65.0	1.4 0.64
		1 25	1.88 47.8	2.54 64.5	1.46 37.1	4.60 116.8	2.56 65.0	1.5 0.68
2 1/2 65	x 15	1 3/8 30.2	1.91 48.5	2.44 62.0	1.71 43.4	5.40 137.2	2.56 65.0	1.6 0.73
		3/4 20	1.89 48.0	2.44 62.0	1.71 43.4	5.40 137.2	2.56 65.0	1.6 0.73
		1 25	2.13 54.1	2.79 70.9	1.71 43.4	5.40 137.2	2.56 65.0	1.6 0.73
76.1 mm	x 15	1 3/8 30.2	1.91 48.5	2.44 62.0	1.71 43.4	5.50 139.7	2.56 65.0	1.6 0.73
		3/4 20	1.89 48.0	2.44 62.0	1.71 43.4	5.50 139.7	2.56 65.0	1.6 0.73
		1 25	2.13 54.1	2.79 70.9	1.71 43.4	5.50 139.7	2.56 65.0	1.7 0.80

† Victaulic female threaded products are designed to accommodate standard NPT or BSPT (optional) male pipe threads only. Use of male threaded products with special features, such as probes, dry pendent sprinklers, etc., should be verified as suitable for use with this Victaulic product. Failure to verify suitability in advance may result in assembly problems or leakage.

* Center of run to engaged pipe end for NPT threads (dimensions are approximate).



TYPICAL FOR ALL SIZES

Hole Cut Piping System

Vic-Let Strapless Outlet

STYLE 923

For Complete Information
Request Publication 11.05



TYPICAL 4-8"/100-200 mm IPS SIZES



TYPICAL 10"/250 mm AND LARGER SIZES

Size Run x Branch Nominal Size Inches mm	Max. Work Pressure psi * kPa	Hole Dimensions		Dimensions			Approx. Weight Each Lbs. kg	
		Hole Saw Size Inches mm	Max. Perm. Dia. Inches mm	T ** Inches mm	X Inches mm	Y *** Inches mm		
4 - 8 100 - 200	175 1200	1/2	1.50	1.56	2.47	3.00	3.09	1.9
		15	38.1	39.6	63	76	78	0.9
		3/4	1.50	1.56	2.44	3.00	3.09	1.6
10 - larger 250 - larger	175 1200	1/2	1.50	1.56	2.47	3.00	3.00	1.9
		15	38.1	39.6	63	76	76	0.9
		3/4	1.50	1.56	2.44	3.00	3.00	1.6
		20	38.1	39.6	62	76	76	0.7

* On schedule 40 pipe 4-8"/100-200mm and Schedule 10-40 for sizes 10"/250mm and larger. Minimum 0.165"/4.2mm, maximum 0.375"/9.5mm wall thickness on large pipe or flat plate. Pressure rating is for Vic-Let outlet only, pipe used must also be rated at this pressure or higher. Pressure rating is 200psi/1375kPa for standard wall aluminum pipe.

** Inside wall of run to engaged pipe end.

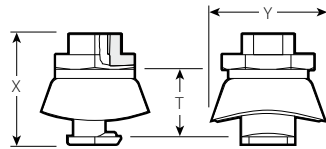
*** Width of collar is as supplied, width assembled changes due to collar deformation at assembly.

IMPORTANT NOTES:

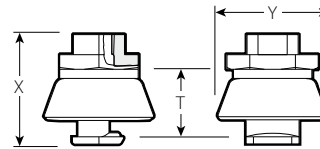
Flow Data: Flow area equivalent to 3/4"/20mm pipe. Accepts 7/16"/11mm diameter probe.

Warning: Always depressurize system and drain before disassembly.

DUE TO DEFORMATION OF THE COLLAR, VIC-LET OUTLET SHOULD NOT BE RE-USED AFTER INITIAL INSTALLATION.



TYPICAL 4-8"/100-200 mm IPS SIZES



TYPICAL 10"/250 mm AND LARGER SIZES



- Fast, easy pipe outlet eliminates the need for welded outlets
- Pressure rated up to 300 psi/2065 kPa
- Standard wall pipe steel pipe for sizes 4-8"/100-200mm and Schedules 10-40 steel pipe for sizes 10"/250mm and larger

Hole Cut Piping System

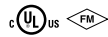
Valves and Accessories

The innovative FireLock line of valves includes, butterfly, ball, gate and check valves that are specifically designed for use in fire protection piping systems.

Valves

FireLock
Butterfly Valve –
Supervised OPEN

SERIES 705, PG. 6-3



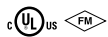
FireLock High Pressure
Butterfly Valve –
Supervised OPEN

SERIES 765, PG. 6-4



FireLock
Butterfly Valve –
Supervised CLOSED

SERIES 707C, PG. 6-5



FireLock High
Pressure Butterfly
Valve – Supervised
CLOSED

SERIES 766, PG. 6-6



FireLock
Check Valve

SERIES 717, PG. 6-7



FireLock Riser
Check Valve

SERIES 717R, PG. 6-8



FireLock OS & Y
Gate Valve

SERIES 771H, PG. 6-9
SERIES 771F, PG. 6-9

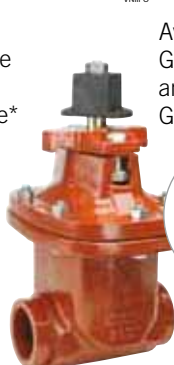


Available
Groove x Groove
and
Groove x Flange*

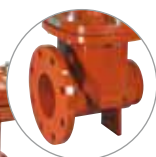


FireLock NRS
Gate Valve

SERIES 772H, PG. 6-9
SERIES 772F, PG. 6-9

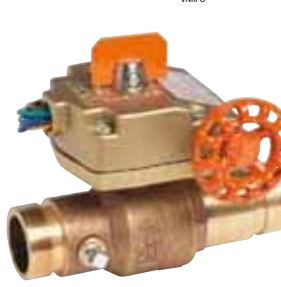


Available
Groove x Groove
and
Groove x Flange*



FireLock Ball Valve

SERIES 728, PG. 6-11



Grooved Ends



Threaded Ends

* Groove x Flange versions not available in EMEA

Valves and Accessories

Victaulic Innovations

Since 1952, when Victaulic received the first UL approval for a grooved coupling, our continuing mission is to find faster and easier ways to join fire protection systems.

A typical example of this effort is the TestMaster alarm module. Before the TestMaster was developed, test and drain loops consisted of 24 individual pieces that all had to be joined. The TestMaster alarm module reduced this to one-piece and two joints, greatly reducing the time and physical space needed for test and drain loop assemblies.

Accessories

FireLock Residential
Zone Control
Riser Module

SERIES 247, PG. 6-12



FireLock Commercial
Zone Control
Riser Module

SERIES 747M, PG. 6-13



Fire Pump
Test Meter

SERIES 735, PG. 6-15



TestMaster™ II Alarm
Test Module

SERIES 720, PG. 6-14



Groove Ends



Threaded Ends



Pressure Relief Option

PRODUCTS

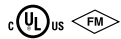
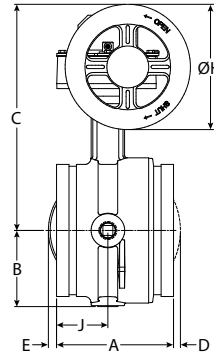
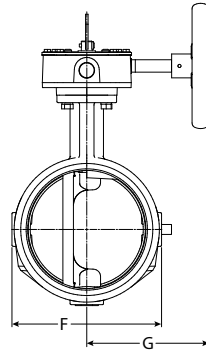
- 3-1 Couplings
- 4-1 Fittings
- 5-1 Hole Cut Piping System
- 6-1 Valves and Accessories**
- 7-1 FireLock Automatic Devices and Accessories
- 8-1 FireLock Automatic Sprinklers
- 9-1 Specialty Products
- 10-1 Pipe Preparation Tools
- 11-1 Product Index

Valves and Accessories

FireLock Butterfly Valve – Supervised OPEN

SERIES 705

For Complete Information
Request Publication 10.18



- Weatherproof actuator housing approved for indoor or outdoor use
- Ductile iron body and disc with Nitrile seats
- All sizes available with a 1/2" / 15mm NPT supply side tap
- The FireLock Series 705W Butterfly Valve is also available. 2 1/2" - 12" / 65 - 300mm sizes are pressure rated up to 300 psi / 2065 kPa and are FM Approved, cULus Listed, and LPCB Approved. VdS approved when part of the Vic-Quick Riser. See Submittal Publication 10.18 for more information.
- Pressure rated up to 300 psi / 2065 kPa
- Sizes from 2 - 12" / 50 - 300mm

Size		Dimensions – Inches/millimeters										
Size	Outside Diameter	End to End	A	B	C	D	E	F	G	DIA H	J	Wgt. lb/kg
2"	2.375	4.25	2.28	6.41	—	—	4.00	4.22	4.50	2.12	8.2	
60.3 mm	60.3	108.0	57.9	162.8	—	—	101.6	107.2	114.3	53.8	3.71	
2 1/2"	2.875	3.77	2.28	7.54	—	—	4.00	4.22	4.50	1.77	9.7	
73 mm	73.0	95.8	57.9	191.5	—	—	101.6	107.2	114.3	45.0	4.4	
3"	3.000	3.77	2.28	7.54	—	—	4.00	4.22	4.50	1.77	9.7	
76.1 mm	76.1	95.8	57.9	191.5	—	—	101.6	107.2	114.3	45.0	4.4	
4"	3.500	3.77	2.53	7.79	—	—	4.50	4.22	4.50	1.77	10.7	
88.9 mm	88.9	95.8	64.3	197.9	—	—	114.3	107.2	114.3	45.0	4.9	
6"	4.250	4.63	2.88	8.81	—	—	5.50	4.22	4.50	2.20	—	
108 mm	108.0	117.6	73.2	223.8	—	—	139.7	107.2	114.3	55.9	—	
8"	4.500	4.63	2.88	8.81	—	—	5.50	4.22	4.50	2.20	14.0	
114.3 mm	114.3	117.6	73.2	223.8	—	—	139.7	107.2	114.3	55.9	6.4	
10"	5.250	5.88	3.35	10.88	—	—	6.56	6.19	6.30	2.58	—	
133 mm	133.0	149.4	85.1	276.4	—	—	166.6	157.2	160.0	65.5	—	
12"	5.500	5.88	3.35	10.88	—	—	6.56	6.19	6.30	2.58	—	
139.7 mm	139.7	149.4	85.1	276.4	—	—	166.6	157.2	160.0	65.6	—	
14"	5.563	5.88	3.35	10.88	—	—	6.56	6.19	6.30	2.58	25.4	
141.3 mm	141.3	149.4	85.1	276.4	—	—	166.6	157.2	160.0	65.5	11.5	
16"	6.250	5.88	3.84	11.38	—	0.41	7.52	6.19	6.30	2.58	—	
159 mm	159.0	149.4	97.5	289.1	—	10.4	191.0	157.2	160.0	65.5	—	
18"	6.500	5.88	3.84	11.38	—	0.41	7.52	6.19	6.30	2.58	28.7	
165.1 mm	165.1	149.4	97.5	289.1	—	10.4	191.0	157.2	160.0	65.5	13.0	
20"	6.625	5.88	3.84	11.38	—	0.41	7.52	6.19	6.30	1.90	28.7	
168.3 mm	168.3	149.4	97.5	289.1	—	10.4	191.0	157.2	160.0	48.3	13.0	
24"	8.625	5.33	5.07	13.53	0.80	1.47	10.00	6.19	8.10	2.33	43.0	
219.1 mm	219.1	135.4	128.8	343.6	20.3	37.3	254.0	157.2	205.7	59.2	19.5	
30"	10.750	6.40	6.37	15.64	1.41	1.81	12.25	8.10	9.00	—	80.6	
273 mm	273.0	162.6	161.8	397.3	35.8	46.0	311.2	205.7	228.6	—	36.5	
36"	12.750	6.50	7.36	16.64	2.30	2.80	14.25	8.10	9.00	—	94.6	
323.9 mm	323.9	165.1	186.9	422.7	58.4	71.1	362.0	205.7	228.6	—	42.9	

* On centerline.

IMPORTANT NOTES

To prevent rotation of valves, it is recommended that Series 705 be installed with Victaulic Style 07 Zero-Flex, Style 005 FireLock, Style 009 FireLock EZ or Style HP-70 rigid couplings. If Victaulic flexible couplings are used, additional support may be required.

Valve **must not** be installed with disc in full open position. Disc must be partly closed so that no part is protruding beyond end of valve body.

Victaulic grooved end butterfly valves are permitted for use with grooved end pipe (IPS) only. Not permitted for use with plain end (IPS) pipe.

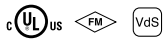
Series 705 valves are designed for ambient weather conditions as opposed to submersible service.

Valves and Accessories

FireLock High Pressure Butterfly Valve – Supervised OPEN

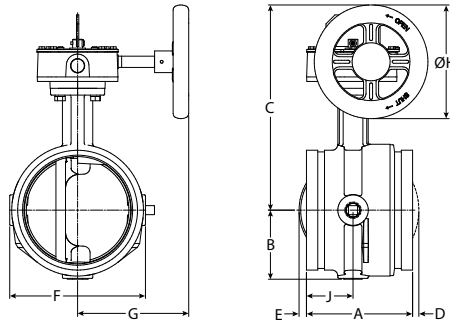
SERIES 765

For Complete Information Request Publication 10.80



- Weatherproof actuator housing approved for indoor and outdoor use
- Ductile iron body and disc with Nitrile seats
- Designed for fire protection services only
- All sizes available with a 1/2"/15mm NPT supply side tap
- Sizes from 2 -12"/65 - 300mm
- Pressure rated up to 365 psi/2517 kPa
- Sizes 2 - 6"/60.3 - 168.3 mm are VdS approved to 25 bar

Note: Sizes 10 -12" are FM Approved for services up to 300 psi/2068 kPa



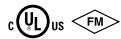
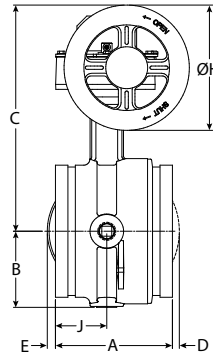
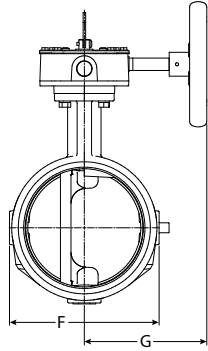
Size		Dimensions										
Nominal Size Inches mm	Actual Out. Dia. Inches mm	A E to E Inches mm	B Inches mm	C Inches mm	D Inches mm	E Inches mm	F Inches mm	G Inches mm	DIA H Inches mm	J Inches mm	Wgt. lb/kg	
2 60.3	2.375 60.3	4.25 108.0	2.28 57.9	6.41 162.8	—	—	4.00 101.6	4.22 107.2	4.50 114.3	2.12 53.8	8.2 3.71	
2½ 73	2.875 73.0	3.77 95.8	2.28 57.9	7.54 191.5	—	—	4.00 101.6	4.22 107.2	4.50 114.3	1.77 45.0	9.7 4.4	
3 88.9	3.000 76.1	3.77 95.8	2.28 57.9	7.54 191.5	—	—	4.00 101.6	4.22 107.2	4.50 114.3	1.77 45.0	9.7 4.4	
4 114.3	3.500 88.9	3.77 95.8	2.53 64.3	7.79 197.9	—	—	4.50 114.3	4.22 107.2	4.50 114.3	1.77 45.0	10.7 4.9	
5 139.7	4.250 108.0	4.63 117.6	2.88 73.2	8.81 223.8	—	—	5.50 139.7	4.22 107.2	4.50 114.3	2.20 55.9	—	
6 168.3	4.500 114.3	4.63 117.6	2.88 73.2	8.81 223.8	—	—	5.50 139.7	4.22 107.2	4.50 114.3	2.20 55.9	14.0 6.4	
8 219.1	5.250 133.0	5.88 149.4	3.35 85.1	10.88 276.4	—	—	6.56 166.6	6.19 157.2	6.30 160.0	2.58 65.5	—	
10 273	5.500 139.7	5.88 149.4	3.35 85.1	10.88 276.4	—	—	6.56 166.6	6.19 157.2	6.30 160.0	2.58 65.6	—	
12 323.9	5.563 141.3	5.88 149.4	3.35 85.1	10.88 276.4	—	—	6.56 166.6	6.19 157.2	6.30 160.0	2.58 65.5	25.4 11.5	
159	6.250 159.0	5.88 149.4	3.84 97.5	11.38 289.1	—	0.41 10.4	7.52 191.0	6.19 157.2	6.30 160.0	2.58 65.5	—	
165.1	6.500 165.1	5.88 149.4	3.84 97.5	11.38 289.1	—	0.41 10.4	7.52 191.0	6.19 157.2	6.30 160.0	2.58 65.5	28.7 13.0	
168.3	6.625 168.3	5.88 149.4	3.84 97.5	11.38 289.1	—	0.41 10.4	7.52 191.0	6.19 157.2	6.30 160.0	1.90 48.3	28.7 13.0	
219.1	8.625 219.1	5.33 135.4	5.07 128.8	12.63 320.8	0.80 20.3	1.47 37.3	10.00 254.0	6.19 157.2	6.30 160.0	2.33 59.2	43.0 19.5	
273	10.750 273.0	6.40 162.6	6.37 161.8	15.64 397.3	1.41 35.8	1.81 46.0	12.25 311.2	8.10 205.7	9.00 228.6	—	80.6 36.5	
323.9	12.750 323.9	6.50 165.1	7.36 186.9	16.64 422.7	2.30 58.4	2.80 71.1	14.25 362.0	8.10 205.7	9.00 228.6	—	94.6 42.9	

Valves and Accessories

FireLock Butterfly Valve – Supervised CLOSED

SERIES 707C

For Complete Information
Request Publication 10.75



Size		Dimensions – Inches/millimeters									
Size	Outside Diameter	End to End A	B	C	D	E	F	G	DIA H	J	Wgt. lb/kg
2"	2.375	4.25	2.28	6.41	—	—	4.00	4.22	4.50	2.12	8.2
60.3 mm	60.3	108.0	57.9	162.8	—	—	101.6	107.2	114.3	53.8	3.71
2½"	2.875	3.77	2.28	7.54	—	—	4.00	4.22	4.50	1.77	9.7
73 mm	73.0	95.8	57.9	191.5	—	—	101.6	107.2	114.3	45.0	4.4
3"	3.000	3.77	2.28	7.54	—	—	4.00	4.22	4.50	1.77	9.7
76.1 mm	76.1	95.8	57.9	191.5	—	—	101.6	107.2	114.3	45.0	4.4
3"	3.500	3.77	2.53	7.79	—	—	4.50	4.22	4.50	1.77	10.7
88.9 mm	88.9	95.8	64.3	197.9	—	—	114.3	107.2	114.3	45.0	4.9
108 mm	4.250	4.63	2.88	8.81	—	—	5.50	4.22	4.50	2.20	—
	108.0	117.6	73.2	223.8	—	—	139.7	107.2	114.3	55.9	—
4"	4.500	4.63	2.88	8.81	—	—	5.50	4.22	4.50	2.20	14.0
114.3 mm	114.3	117.6	73.2	223.8	—	—	139.7	107.2	114.3	55.9	6.4
133 mm	5.250	5.88	3.35	10.88	—	—	6.56	6.19	6.30	2.58	—
	133.0	149.4	85.1	276.4	—	—	166.6	157.2	160.0	65.5	—
139.7 mm	5.500	5.88	3.35	10.88	—	—	6.56	6.19	6.30	2.58	—
	139.7	149.4	85.1	276.4	—	—	166.6	157.2	160.0	65.6	—
5"	5.563	5.88	3.35	10.88	—	—	6.56	6.19	6.30	2.58	25.4
141.3 mm	141.3	149.4	85.1	276.4	—	—	166.6	157.2	160.0	65.5	11.5
159 mm	6.250	5.88	3.84	11.38	—	0.41	7.52	6.19	6.30	2.58	—
	159.0	149.4	97.5	289.1	—	10.4	191.0	157.2	160.0	65.5	—
165.1 mm	6.500	5.88	3.84	11.38	—	0.41	7.52	6.19	6.30	2.58	28.7
	165.1	149.4	97.5	289.1	—	10.4	191.0	157.2	160.0	65.5	13.0
6"	6.625	5.88	3.84	11.38	—	0.41	7.52	6.19	6.30	1.90	28.7
168.3 mm	168.3	149.4	97.5	289.1	—	10.4	191.0	157.2	160.0	48.3	13.0
8"	8.625	5.33	5.07	13.53	0.80	1.47	10.00	6.19	8.10	2.33	43.0
219.1 mm	219.1	135.4	128.8	343.6	20.3	37.3	254.0	157.2	205.7	59.2	19.5

IMPORTANT NOTES

To prevent rotation of valves, it is recommended that Series 707C be installed with Victaulic Style 07 Zero-Flex, Style 005 FireLock, Style 009 FireLock EZ or Style HP-70 rigid couplings. If Victaulic flexible couplings are used, additional support may be required.

Valve **must not** be installed with disc in full open position. Disc must be partly closed so that no part is protruding beyond end of valve body.

Victaulic grooved end butterfly valves are permitted for use with grooved end pipe (IPS) only. Not permitted for use with plain end (IPS) pipe.

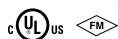
Series 707C valves are designed for ambient weather conditions as opposed to submersible service.

Valves and Accessories

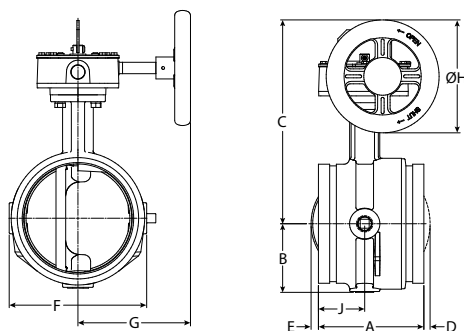
FireLock High Pressure Butterfly Valve – Supervised CLOSED

SERIES 766

For Complete Information Request Publication **10.83**



- Weatherproof actuator housing approved for indoor or outdoor use on fire pump bypass lines and rooftop test units
- Designed to be Supervised Closed during normal operating conditions
- Ductile iron body and disc with Nitrile seats
- All sizes available with a 1/2"/15 mm NPT supply side tap
- Sizes from 2 - 8"/65 - 200mm
- Pressure rated up to 365 psi/2517 kPa



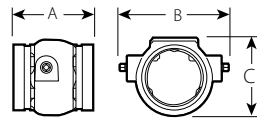
Size		Dimensions – Inches/millimeters										
Size	Outside Diameter	End to End	A	B	C	D	E	F	G	DIA H	J	Wgt. lb/kg
2"	2.375	4.25	2.28	6.41	—	—	4.00	4.22	4.50	2.12	8.2	
60.3 mm	60.3	108.0	57.9	162.8	—	—	101.6	107.2	114.3	53.8	3.71	
2½"	2.875	3.77	2.28	7.54	—	—	4.00	4.22	4.50	1.77	9.7	
73 mm	73.0	95.8	57.9	191.5	—	—	101.6	107.2	114.3	45.0	4.4	
76.1 mm	3.000	3.77	2.28	7.54	—	—	4.00	4.22	4.50	1.77	9.7	
	76.1	95.8	57.9	191.5	—	—	101.6	107.2	114.3	45.0	4.4	
3"	3.500	3.77	2.53	7.79	—	—	4.50	4.22	4.50	1.77	10.7	
88.9 mm	88.9	95.8	64.3	197.9	—	—	114.3	107.2	114.3	45.0	4.9	
108 mm	4.250	4.63	2.88	8.81	—	—	5.50	4.22	4.50	2.20	—	
	108.0	117.6	73.2	223.8	—	—	139.7	107.2	114.3	55.9	—	
4"	4.500	4.63	2.88	8.81	—	—	5.50	4.22	4.50	2.20	14.0	
114.3 mm	114.3	117.6	73.2	223.8	—	—	139.7	107.2	114.3	55.9	6.4	
133 mm	5.250	5.88	3.35	10.88	—	—	6.56	6.19	6.30	2.58	—	
	133.0	149.4	85.1	276.4	—	—	166.6	157.2	160.0	65.5	—	
139.7 mm	5.500	5.88	3.35	10.88	—	—	6.56	6.19	6.30	2.58	—	
	139.7	149.4	85.1	276.4	—	—	166.6	157.2	160.0	65.5	—	
5"	5.563	5.88	3.35	10.88	—	—	6.56	6.19	6.30	2.58	25.4	
141.3 mm	141.3	149.4	85.1	276.4	—	—	166.6	157.2	160.0	65.5	11.5	
159 mm	6.250	5.88	3.84	11.38	—	0.41	7.52	6.19	6.30	2.58	—	
	159.0	149.4	97.5	289.1	—	10.4	191.0	157.2	160.0	65.5	—	
165.1 mm	6.500	5.88	3.84	11.38	—	0.41	7.52	6.19	6.30	2.58	28.7	
	165.1	149.4	97.5	289.1	—	10.4	191.0	157.2	160.0	65.5	13.0	
6"	6.625	5.88	3.84	11.38	—	0.41	7.52	6.19	6.30	1.90	28.7	
168.3	168.3	149.4	97.5	289.1	—	10.4	191.0	157.2	160.0	48.3	13.0	
8"	8.625	5.33	5.07	13.53	0.80	1.47	10.00	6.19	8.1	2.33	43.0	
219.1 mm	219.1	135.4	128.8	343.6	20.3	37.3	254.0	157.2	205.7	59.2	19.5	

Valves and Accessories

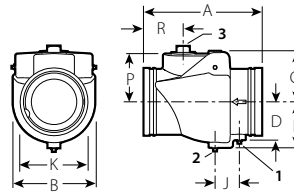
FireLock Check Valve

SERIES 717

For Complete Information
Request Publication 10.08

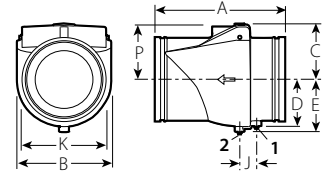


TYPICAL 2½–3"/65–80 mm SIZES



TYPICAL 4–8"/100–200 mm SIZES

- 1 ½"/12.7 mm NPT upstream drain (optional)
- 2 ½"/12.7 mm NPT downstream drain (optional)
- 3 2"/50.8 mm NPT drain (optional)



TYPICAL 10–12"/250–300 mm SIZES

- 1 ½"/12.7 mm NPT upstream drain (optional)
- 2 ½"/12.7 mm NPT downstream drain (optional)

TYPICAL 4–12"/100–300 mm



- Can be installed in both horizontal or vertical positions
- Sizes from 2½–3"/65–80 mm are UL/ULC Listed
- See chart below for Approved and Listed service pressures
- Sizes from 2½–12"/65–300 mm

Size		Dimensions										Approx. Wgt. Each
Nominal Size Inches mm	Actual Out. Dia. Inches mm	A E to E Inches mm	B Inches mm	C Inches mm	D Inches mm	E Inches mm	J Inches mm	K Inches mm	P Inches mm	R Inches mm	Lbs. kg	
2½ 65	2.875 73.0	3.88 99	4.26 108	3.57 91	—	—	—	—	—	—	3.6 1.6	
76.1 mm	3.000 76.1	3.88 99	4.26 108	3.57 91	—	—	—	—	—	—	3.6 1.6	
3 80	3.500 88.9	4.25 108	5.06 129	4.17 106	—	—	—	—	—	—	4.5 2.0	
4 100	4.500 114.3	9.63 245	6.00 152	3.88 99	2.75 70	3.50 89	2.00 51	4.50 114	3.50 89	3.35 85	20.0 9.1	
5 125	5.563 141.3	10.50 267	6.80 173	4.50 114	4.17 106	4.17 106	2.15 55	5.88 149	4.08 104	3.98 101	27.0 12.3	
139.7 mm	5.500 139.7	10.50 267	6.80 173	4.50 114	4.17 106	4.17 106	2.15 55	5.88 149	4.08 104	3.98 101	27.0 12.3	
6 150	6.625 168.3	11.50 292	8.00 203	5.00 127	4.50 114	4.50 114	2.38 61	6.67 169	4.73 120	3.89 99	38.0 17.2	
165.1 mm	6.500 165.1	11.50 292	8.00 203	5.00 127	4.50 114	4.50 114	2.38 61	6.67 169	4.73 120	3.89 99	38.0 17.2	
8 200	8.625 219.1	14.00 356	9.88 251	6.06 154	5.05 128	5.65 144	2.15 55	8.85 225	5.65 144	5.75 146	64.0 29.0	
10 250	10.750 273.0	17.00 432	12.00 305	7.09 180	5.96 151	6.69 170	2.15 55	10.92 277	6.73 171	—	100.0 45.4	
12 300	12.750 323.9	19.50 495	14.00 356	8.06 206	6.91 176	7.64 194	2.51 64	12.81 925	7.73 196	—	140.0 63.5	

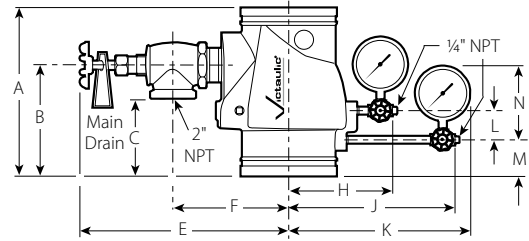
Size	Approval/Listing Service Pressures				
	UL	ULC	FM	LPCB	VdS
2½/65mm	up to 250psi/1725kPa	up to 250psi/1725kPa	—	up to 17bar/246.5psi	—
76.1mm	—	—	—	up to 17bar/246.5psi	up to 16bar/232psi
3"/80mm	up to 250psi/1725kPa	up to 250psi/1725kPa	—	up to 17bar/246.5psi	up to 16bar/232psi
4"/100mm	up to 350psi/2413kPa	up to 250psi/1725kPa	up to 350psi/2413kPa	up to 17bar/246.5psi	up to 16bar/232psi
5"/125mm	up to 250psi/1725kPa	up to 250psi/1725kPa	up to 250psi/1725kPa	up to 17bar/246.5psi	up to 16bar/232psi
139.7mm	—	—	—	up to 17bar/246.5psi	up to 16bar/232psi
6"/150mm	up to 350psi/2413kPa	up to 250psi/1725kPa	up to 350psi/2413kPa	up to 17bar/246.5psi	up to 16bar/232psi
165.1mm	—	—	—	up to 17bar/246.5psi	—
8"/200mm	up to 350psi/2413kPa	up to 250psi/1725kPa	up to 350psi/2413kPa	up to 17bar/246.5psi	up to 16bar/232psi
10"/250mm	up to 250psi/1725kPa	up to 250psi/1725kPa	up to 250psi/1725kPa	up to 17bar/246.5psi	up to 16bar/232psi
12"/300mm	up to 250psi/1725kPa	up to 250psi/1725kPa	up to 250psi/1725kPa	up to 17bar/246.5psi	up to 16bar/232psi

Valves and Accessories

FireLock Riser Check Valve

SERIES 717R

For Complete Information
Request Publication **10.09**



TYPICAL FOR ALL SIZES

Size		Dimensions													Approx. Wgt. Each
Nominal Size Inches mm	Actual Out. Dia. Inches mm	A E to E Inches mm	B Inches mm	C Inches mm	D Inches mm	E Inches mm	F Inches mm	H Inches mm	J Inches mm	K Inches mm	L Inches mm	M Inches mm	N Inches mm	Lbs. kg	
4 100	4.500 114.3	9.63 245	6.25 159	4.00 102	3.75 95	14.25 362	6.88 175	6.70 170	10.45 265	11.25 286	2.00 51	2.00 51	5.25 133	28.0 12.7	
5 125	5.563 141.3	10.50 267	6.50 165	4.25 108	3.75 95	14.75 375	7.38 188	7.37 187	11.87 302	12.75 324	2.15 55	1.88 48	5.25 133	35.0 15.9	
139.7 mm	5.500 139.7	10.50 267	6.50 165	4.25 108	3.75 95	14.75 375	7.38 188	7.37 187	11.87 302	12.75 324	2.15 55	1.88 48	5.25 133	35.0 15.9	
6 150	6.625 168.3	11.50 292	7.63 194	5.38 137	3.75 95	15.50 394	8.03 204	7.70 196	12.20 310	13.00 330	2.38 61	2.13 54	5.25 133	46.0 20.9	
165.1 mm	6.500 165.1	11.50 292	7.63 194	5.38 137	3.75 95	15.50 394	8.03 204	7.70 196	12.20 310	13.00 330	2.38 61	2.13 54	5.25 133	46.0 20.9	
8 200	8.625 219.1	14.00 356	8.25 210	6.00 152	3.75 95	16.38 416	9.00 229	8.85 225	12.75 324	13.50 343	2.15 55	2.88 73	5.25 133	72.0 32.7	

- Rubber encapsulated disc provides superior corrosion resistance
- Can be installed in both horizontal or vertical positions
- Accepts a riser check kit
- Pressure rated up to 200 psi/
1375 kPa for 250 psi/
1725 kPa for FM
- Sizes from 4–8"/100–200 mm

Valves and Accessories

FireLock OS&Y and NRS Gate Valves

SERIES 771H

OS&Y Gate Valve (Groove x Groove)

SERIES 771F*

OS&Y Gate Valve (Groove x Flange)

SERIES 772H

NRS Gate Valve (Groove x Groove)

SERIES 772F*

NRS Gate Valve (Groove x Flange)

* Groove x Flange configurations not available in EMEA

For Complete Information Request Publication **10.92**



SERIES 771H



SERIES 771F



SERIES 772H



SERIES 772F

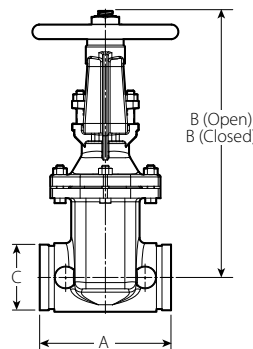
Size		Series 771H OS & Y Groove x Groove Dimensions			Series 771F OS & Y Groove x Flange Dimensions			Series 772H NRS Groove x Groove Dimensions			Series 772F NRS Groove x Flange Dimensions			Approximate Weight Each					
Nominal Size Inches mm	Actual Outside Diameter Inches mm	A End to End Inches mm	B Height Inches mm		C Inches mm	A End to End Inches mm	B Height Inches mm		C Inches mm	A End to End Inches mm	B Height Inches mm	C Inches mm	A End to End Inches mm	B Height Inches mm	C Inches mm	Series 771H Lbs. kg	Series 772H Lbs. kg	Series 771F Lbs. kg	Series 772F Lbs. kg
			Open	Closed			Open	Closed											
2½ 65	2.875 73.0	7.52 191	12.76 324	14.88 378	2.88 73	7.52 191	12.76 324	14.88 378	2.88 73	7.52 191	10.00 254	2.88 73	7.52 191	10.00 254	2.88 73	30.6 13.9	29.3 13.3	37.8 17.2	36.5 16.6
3 80	3.500 88.9	8.00 203	19.02 483	22.00 559	3.50 89	8.00 203	19.02 483	22.00 559	3.50 89	8.00 203	13.86 352	3.50 89	8.00 203	13.86 352	3.50 89	73.0 33.2	62.9 28.6	78.8 35.8	68.6 31.2
4 100	4.500 114.3	9.00 229	19.49 495	23.50 597	4.50 114	9.00 229	19.49 495	23.50 597	4.50 114	9.00 229	14.33 364	4.50 114	9.00 229	14.33 364	4.50 114	78.8 35.8	68.6 31.2	89.5 40.7	80.1 36.4
6 150	6.625 168.3	10.50 267	26.14 664	32.13 816	6.63 168	10.50 267	26.14 664	32.13 816	6.63 168	10.50 267	18.27 464	6.63 168	10.50 267	18.27 464	6.63 168	146.5 66.6	116.8 53.1	156.0 70.9	126.3 57.4
165.1 mm	6.500 165.1	10.50 267	26.14 664	32.13 816	6.50 165	10.50 267	26.14 664	32.13 816	6.50 165	10.50 267	18.27 464	6.50 165	10.50 267	18.27 464	6.50 165	146.5 66.6	116.8 53.1	156.0 70.9	126.3 57.4
8 200	8.625 219.1	11.50 292	32.13 816	40.12 1019	8.63 219	11.50 292	32.13 816	40.12 1019	8.63 219	11.50 292	21.69 551	8.63 219	11.50 292	21.69 551	8.63 219	238.5 108.4	187.2 85.1	248.8 113.1	197.6 89.8
10 250	10.750 273.0	13.00 330	40.12 1018	50.12 1273	10.75 273	13.00 330	40.12 1018	50.12 1273	10.75 273	13.00 330	25.63 651	10.75 273	13.00 330	25.63 651	10.75 273	344.7 156.7	297.7 135.3	358.4 162.9	311.3 141.5
12 300	12.750 323.9	14.02 356	46.89 1191	59.25 1505	12.75 324	14.02 356	46.89 1191	59.25 1505	12.75 324	14.02 356	29.13 740	12.75 324	14.02 356	29.13 740	12.75 324	489.5 222.5	394.9 179.5	536.8 244.0	442.2 201.0

SERIES 771H AND SERIES 771F

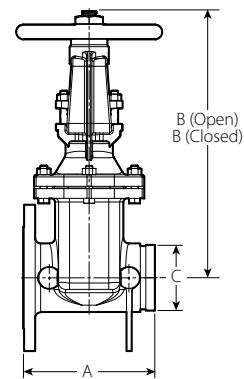
- Features three internal parts, making the valves easy to maintain
- Used when positive shut-off is required in a fire line and a quick visual indicator of open/closed position is required
- Pressure rated up to 250 psi/1725 kPa
- Sizes from 2½–12"/65–300 mm

SERIES 772H AND SERIES 772F

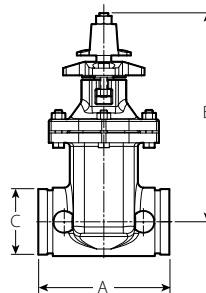
- Features three internal parts, making the valves easy to maintain
- Used for shut-off service where the valve is operated remotely
- Pressure rated up to 250 psi/1725 kPa
- Sizes from 2½–12"/65–300 mm



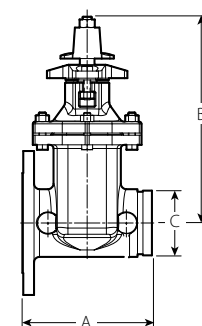
SERIES 771H OS&Y GATE VALVE



SERIES 771F OS&Y GATE VALVE



SERIES 772H NRS GATE VALE



SERIES 772F NRS GATE VALE

Valves and Accessories

NRS Gate Valve Wall and Upright Post Indicators

For Series 772H and Series 772F
NRS Gate Valves

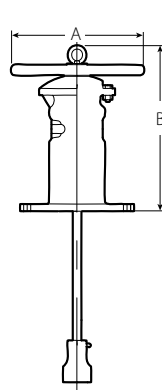
SERIES 773 – Wall Post Indicator

SERIES 774 – Upright Post Indicator

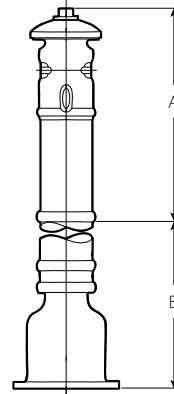
For Complete Information
Request Publication **10.92**



SERIES 773



SERIES 773 WALL POST INDICATOR

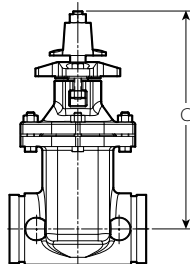


SERIES 774 UPRIGHT POST INDICATOR

Post Indicator	Dimensions			Approx. Wgt. Each
	A Inches mm	B Minimum Inches mm	B Maximum Inches mm	Lbs. kg
Series 773 Wall	14.00 356	18.50 470	—	90.0 40.8
Series 774 Upright	36.20 919	32.00 813	56.00 1422	250.0 113.4



SERIES 774



SERIES 772H AND SERIES 772F

POST INDICATOR – TYPICAL DIMENSIONS (FOR UPRIGHT & WALL)

Valve Size	Dimensions	Approximate Number of Turns to Open
Nominal Size Inches mm	C Centerline to Top of the Operating Nut Inches mm	
2½ 65	10.00 254	7
3 80	13.86 352	8
4 100	14.33 364	11
6 150	18.27 464	13
165.1 mm	18.27 464	13
8 200	21.69 551	16
10 250	25.63 651	20
12 300	29.13 740	24

IMPORTANT NOTES

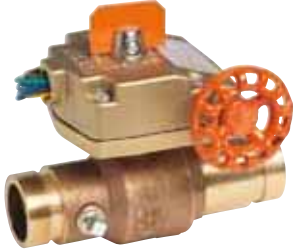
Series 772H and Series 772F NRS gate valves must be equipped with a mounting plate if used with the Series 774 upright post indicator. Contact Victaulic for details. Series 773 and Series 774 post indicators are intended for use on NRS gate valves only.

Valves and Accessories

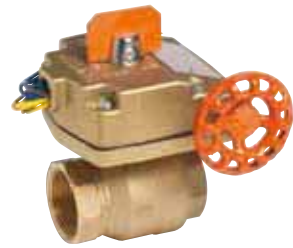
FireLock Ball Valve

SERIES 728

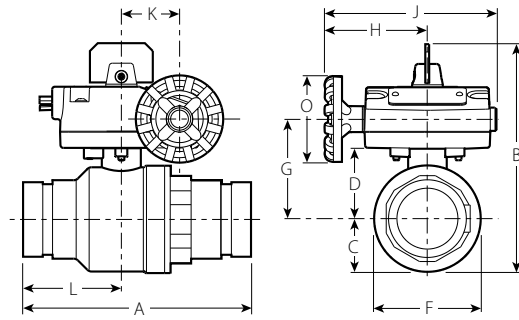
For Complete Information
Request Publication 10.17



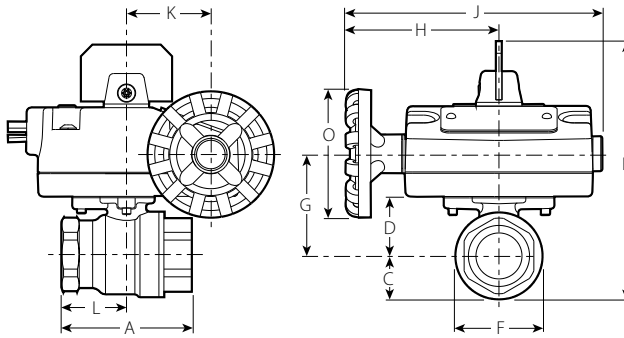
SERIES 728 GROOVED



SERIES 728 THREADED



GROOVED x GROOVED TYPICAL OF ALL SIZES



THREADED x THREADED TYPICAL OF ALL SIZES



- Standard port, end-entry valve
- Available with grooved or threaded ends (NPT)
- Approved for indoor and outdoor use
- Pressure rated up to 350 psi/2400 kPa*
- Sizes from 1¼–2" / 32–50 mm for grooved sizes
- Sizes from 1–2" / 25–50 mm for threaded sizes

* LPCB rated to 20 Bar.

Size		Dimensions											Approx. Wgt.	
Nominal Size	Actual Out. Dia.	A	B	C	D	F	G	H	J	K	L	O	Lbs.	kg
Inches	Inches	E to E	Height	Inches	Inches	Inches	Inches	Inches	Inches	Inches	Inches	Inches		
mm	mm	mm	mm	mm	mm	mm	mm	mm	mm	mm	mm	mm		

GROOVED x GROOVED

1¼	1.660	7.25	6.25	1.15	1.67	2.30	2.58	3.39	5.62	1.86	3.19	2.75	7.5	
32	42.2	184	159	29	42	58	66	86	143	47	81	67	3.4	
1½	1.900	7.25	6.75	1.35	1.89	2.71	2.80	3.39	5.62	1.86	3.19	2.75	8.5	
40	48.3	184	171	34	48	69	71	86	143	47	81	67	3.9	
2	2.375	7.25	7.50	1.71	2.25	3.16	3.50	3.39	5.62	1.86	3.19	2.75	10.5	
50	60.3	184	191	43	57	80	89	86	143	47	81	67	4.8	

THREADED x THREADED

1	1.315	2.84	5.61	0.93	1.22	1.87	2.27	3.39	5.62	1.86	1.42	2.75	5.1	
25	33.4	72	143	24	31	48	58	86	143	47	36	67	2.3	
1¼	1.660	3.31	6.04	1.15	1.53	2.30	2.47	3.39	5.62	1.86	1.65	2.75	5.8	
32	42.2	84	153	29	39	58	63	86	143	47	42	67	2.6	
1½	1.900	3.66	6.42	1.35	1.71	2.66	2.66	3.39	5.62	1.86	1.83	2.75	6.6	
40	48.3	92	163	34	43	68	68	86	143	47	47	67	3.0	
2	2.375	4.33	7.15	1.71	2.07	3.40	3.05	3.39	5.62	1.86	2.16	2.75	8.5	
50	60.3	110	182	43	53	86	77	86	143	47	55	67	3.9	

Valves and Accessories

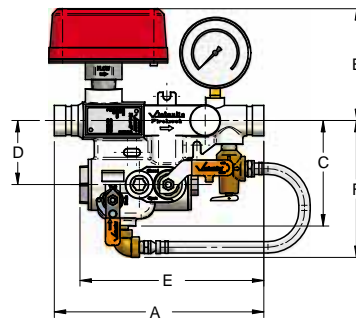
FireLock Residential Zone Control Riser Module

SERIES 247

For Complete Information
Request Publication 30.83



DIMENSIONS



1 – 2”/25 – 50 mm Nominal Sizes

(Valves shown above in the “test” position.
Shown with Pressure Relief Valve Kit Installed)

- Compact design is easy to install in zoned wet sprinkler systems or on system risers
- Includes the module body integrated with a shut off valve, test and drain valve combination with different orifice sizes, a UL Listed and FM Approved flow switch, and a pressure gauge
- Available with grooved ends for easy installation in the horizontal or vertical up-flow positions
- Pressure rated up to 300 psi/ 2065 kPa for UL and ULC and 365psi/2517kPa for FM
- Optional pressure relief valve kit is available. Pressure relief configuration is FM Approved and UL and ULC Listed for working pressures up to 175psi/1200 kPa.
- Sizes from 1 – 2”/25 – 50 mm

Module Body Size			Dimensions – Inches/mm							Aprx. Weight Each
Nominal Diameter Inches/mm	Actual Outside Diameter Inches/mm	Drain Size Inches/mm	A	B	C	D	E (Groove)	F	Lbs./kgs	
1 25	1.315 33.4	1 33.4	11.45 290.8	6.00 152.4	5.77 146.5	3.50 88.9	10.05 255.3	7.48 190.0	15.2 6.9	
1 ¼ 32	1.660 42.2	1 33.4	11.45 290.8	6.00 152.4	5.77 146.5	3.50 88.9	10.05 255.3	7.48 190.0	15.2 6.9	
1 ½ 40	1.900 48.3	1 33.4	11.45 290.8	6.13 155.7	5.77 146.5	3.50 88.9	10.05 255.3	7.48 190.0	15.5 7.0	
2 50	2.375 60.3	1 33.4	11.45 290.8	6.43 163.3	5.77 146.5	3.50 88.9	10.05 255.3	7.48 190.0	19.9 9.0	

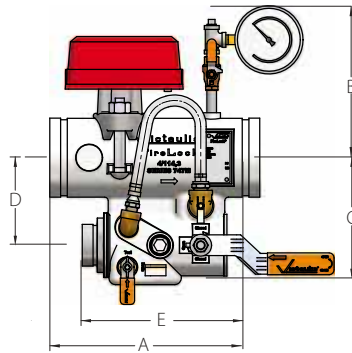
Nominal Size inches	Orifices	
	UL	ULC
1	K2.8, K3.0, K3.5, K4.2, K4.9, K5.6	
1.25	K2.8, K3.0, K3.5, K4.2, K4.9, K5.6	
1.5	K2.8, K3.0, K3.5, K4.2, K4.9, K5.6	
2	K2.8, K3.0, K3.5, K4.2, K4.9, K5.6	

Valves and Accessories

FireLock Commercial Zone Control Riser Module

SERIES 747M

For Complete Information
Request Publication 10.96



TYPICAL FOR ALL SIZES



- Compact design is easy to install in zoned wet sprinkler systems or on system risers
- Includes the module body integrated with a shut off valve, test and drain valve combination with different orifice sizes, a UL Listed and FM Approved flow switch, and a pressure gauge
- Available with grooved ends for easy installation in the horizontal or vertical up-flow positions
- Optional pressure relief valve kit is available. Pressure relief configuration is FM Approved and UL and ULC Listed for working pressures up to 175 psi/1200 kPa.
- Pressure rated up to 300 psi/2065 kPa for UL and ULC and 365 psi/2517 kPa for FM
- Sizes from 1 1/4 – 6”/32 – 150 mm

Module Body Size			Dimensions – Inches/mm							Aprx. Weight Each
Nominal Diameter Inches/mm	Actual Outside Diameter Inches/mm	Drain Size Inches/mm	A	B	C	D	E (Groove)	F	Lbs./kgs	
1 1/4 32	1.660 42.2	1 33.4	11.45 290.8	7.20 182.9	5.77 146.5	3.50 88.9	10.05 255.3	7.48 190.0	15.2 6.9	
1 1/2 40	1.900 48.3	1 33.4	11.45 290.8	7.32 185.9	5.77 146.5	3.50 88.9	10.05 255.3	7.48 190.0	15.5 7.0	
2 50	2.375 60.3	1 33.4	11.45 290.8	7.55 191.8	5.77 146.5	3.50 88.9	10.05 255.3	7.48 190.0	19.9 9.0	
2 1/2 65	2.875 73.0	1 1/4 42	12.00 305	8.41 214	6.18 157	4.25 108	9.76 248	–	22.7 10.3	
3 80	3.500 88.9	1 1/4 42	12.00 305	9.42 239	6.18 157	4.25 108	9.76 248	–	23.2 10.6	
4 100	4.500 114.3	2 60	12.00 305	9.90 252	7.25 184	5.00 127	10.15 258	–	30.3 13.8	
6 150	6.625 168.3	2 60	12.00 305	10.85 276	8.31 211	6.00 154	10.15 258	–	36.7 16.7	

ORIFICES:

Nominal Size inches	Orifices
1.25	K5.6
1.5	K5.6
2	K5.6
2.5	K5.6 K6.9 K8.0 K11.2
3	K5.6 K6.9 K8.0 K11.2
4	K5.6 K6.9 K8.0 K11.2 K14.0 K16.8
6	K5.6 K6.9 K8.0 K11.2 K14.0 K16.8

Valves and Accessories

TestMaster II Alarm Test Module

SERIES 720

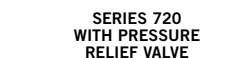
For Complete Information
Request Publication 10.22



SERIES 720 GROOVED ENDS



SERIES 720 THREADED ENDS



SERIES 720 WITH PRESSURE RELIEF VALVE



- Incorporates the test function and rapid drain function for wet sprinkler systems into a single unit
- Constructed of corrosion resistant bronze
- Available with either NPT, BSPT female threaded ends or with grooved ends
- K5.6/8.1 S.I. orifice is factory fitted (optional K8.0/11.5 S.I. orifice available upon request)
- Can be supplied with a pressure gauge port tapping
- Pressure rated up to 300 psi/2065 kPa
- Sizes from 1¼–2"32–50 mm for grooved end
- Sizes from 1–2"25–50 mm for threaded end

Size		Dimensions										Approx. Wgt. Each
Nominal Size Inches mm	Actual Outside Diameter Inches mm	A Inches mm	B Inches mm	C Inches mm	D Inches mm	E Inches mm	F Inches mm	G Inches (mm)	H Inches (mm)	I Inches (mm)	J Inches (mm)	Lbs. (kg)

SERIES 720 GROOVED ENDS

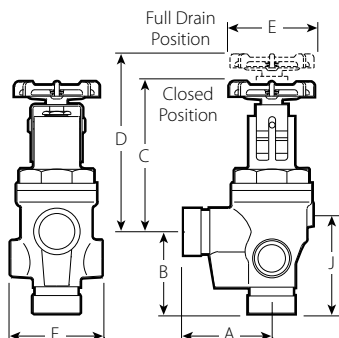
1¼ 32	1.660 42.4	3.15 80	2.90 74	5.47 139	6.43 163	2.68 68	3.25 83	—	—	—	3.50 89	6.7 3.0
1½ 40	1.900 48.3	3.65 93	3.06 78	5.47 139	6.51 165	2.68 68	3.75 95	—	—	—	4.20 107	8.9 4.0
2 50	2.375 60.3	3.65 93	3.06 78	5.47 139	6.51 165	2.68 68	3.75 95	—	—	—	4.20 107	9.3 4.2

SERIES 720 THREADED ENDS

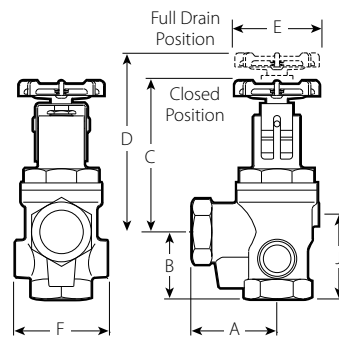
1 25	1.315 33.7	3.00 76	2.38 60	5.47 139	6.43 163	2.68 68	3.25 83	—	—	—	3.00 76	7.3 3.3
1¼ 32	1.660 42.4	3.00 76	2.38 60	5.47 139	6.43 163	2.68 68	3.25 83	—	—	—	3.00 76	7.0 3.2
1½ 40	1.900 48.3	3.63 92	2.38 60	5.47 139	6.51 165	2.68 68	3.75 95	—	—	—	3.50 89	10.5 4.8
2 50	2.375 60.3	3.63 92	2.38 60	5.47 139	6.51 165	2.68 68	3.75 95	—	—	—	3.50 89	10.0 4.6

SERIES 720 WITH PRESSURE RELIEF VALVE

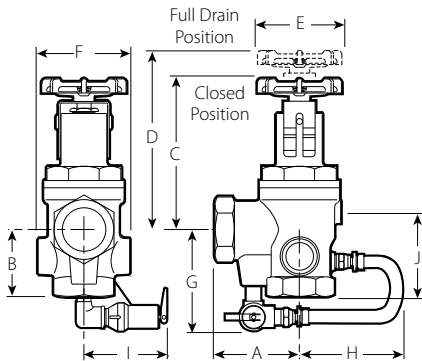
1 25	1.315 33.7	3.00 76	2.38 60	5.47 139	6.43 163	2.68 68	3.25 83	3.90 99.06	4.95 125.73	4.00 101.6	3.00 76	8.3 3.8
1¼ 32	1.660 42.4	3.00 76	2.38 60	5.47 139	6.43 163	2.68 68	3.25 83	3.90 99.06	4.95 125.73	4.00 101.6	3.00 76	8.0 3.8
1½ 40	1.900 48.3	3.63 92	2.38 60	5.47 139	6.51 165	2.68 68	3.75 95	4.09 103.89	4.95 125.73	4.00 101.6	3.50 89	11.5 5.2
2 50	2.375 60.3	3.63 92	2.38 60	5.47 139	6.51 165	2.68 68	3.75 95	4.09 103.89	4.95 125.73	4.00 101.6	3.50 89	11.0 5.0



SERIES 720 GROOVED ENDS



SERIES 720 THREADED ENDS



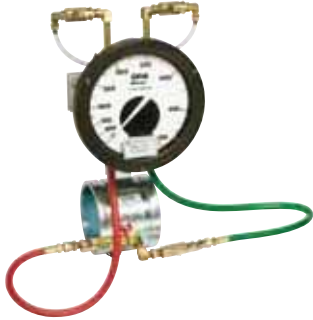
SERIES 720 WITH PRESSURE RELIEF VALVE

Valves and Accessories

Fire Pump Test Meter

SERIES 735

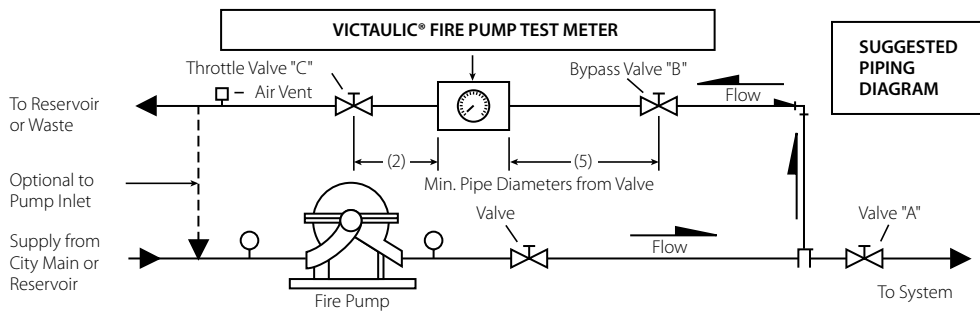
For Complete Information
Request Publication 10.11



- Provides accurate measurements of pump performance
- Model "L" Pressure rated up to 175 psi/1200 kPa
- Model "S" Pressure rated up to 500 psi/3450 kPa
- Sizes from 2½–12"/65–300 mm

Size		Nominal Flow Rate	Meter Range * Minimum – Maximum		Dimensions	Approximate Weight Each	
Nominal Size Inches mm	Actual Outside Dia. Inches mm	GPM m ³ /hr.	Model "L" GPM m ³ /hr.	Model "S" GPM m ³ /hr.	End to End Inches mm	Model "L" Lbs. kg	Model "S" Lbs. kg
2½ 65	2.875 73.0	100 23	40 – 200 9 – 45	60 – 200 14 – 45	4.00 102	14.0 6.4	9.0 4.1
3 80	3.500 88.9	200 45	100 – 400 23 – 91	140 – 400 32 – 91	4.25 108	15.0 6.8	10.0 4.5
4 100	4.500 114.3	250 57	100 – 500 23 – 114	160 – 500 36 – 114	3.75 95	17.0 7.7	12.0 5.4
4 100	4.500 114.3	300 68	100 – 600 23 – 136	190 – 600 43 – 136	3.75 95	17.0 7.7	12.0 5.4
4 100	4.500 114.3	450 102	200 – 900 45 – 204	300 – 900 68 – 204	3.75 95	17.0 7.7	12.0 5.4
5 125	5.563 141.3	500 114	200 – 1000 45 – 227	300 – 1000 68 – 227	5.00 127	18.0 8.2	13.0 5.9
6 150	6.625 168.3	750 170	300 – 1500 68 – 341	450 – 1500 102 – 341	6.00 152	20.0 9.1	15.0 6.8
6 150	6.625 168.3	1000 227	400 – 2000 91 – 454	600 – 2000 136 – 454	6.00 152	20.0 9.1	15.0 6.8
6 150	6.625 168.3	1250 284	500 – 2500 114 – 568	800 – 2500 182 – 568	6.00 152	20.0 9.1	15.0 6.8
8 200	8.625 219.1	1500 341	600 – 3000 341 – 681	900 – 3000 204 – 681	7.00 178	27.0 12.3	22.0 10.0
8 200	8.625 219.1	2000 454	1000 – 4000 227 – 908	1400 – 4000 318 – 908	7.00 178	27.0 12.3	22.0 10.0
8 200	8.625 219.1	2500 568	1000 – 5000 227 – 1135	1600 – 5000 363 – 1135	7.00 178	27.0 12.3	22.0 10.0
8 200	8.625 219.1	3000 681	1000 – 6000 227 – 1363	1900 – 6000 431 – 1363	7.00 178	27.0 12.3	22.0 10.0
10 250	10.750 273.0	3500 795	2000 – 7000 454 – 1590	2500 – 7000 568 – 1590	8.00 203	38.0 17.2	33.0 15.0
10 250	10.750 273.0	4000 908	2000 – 8000 454 – 1817	2500 – 8000 568 – 1817	8.00 203	38.0 17.2	33.0 15.0
10 250	10.750 273.0	4500 1022	2000 – 9000 454 – 2045	3000 – 9000 681 – 2045	8.00 203	38.0 17.2	33.0 15.0
12 300	12.750 323.9	5000 1135	2000 – 10000 454 – 2272	3000 – 10000 681 – 2272	12.00 305	71.0 32.2	66.0 29.9

* Specify Model "L" for 6"/152.4 mm dial; Model "S" for 4½"/114.3 mm dial.



TYPICAL FOR ALL SIZES

Valves and Accessories

FireLock Automatic Devices and Accessories

Victaulic continues to push the envelope of product development. FireLock NXT devices offer another leap forward in valve design and operation. Featuring a lower operating pressure and ultra-fast trip time, due to the elimination of the air-to-water differential, FireLock NXT devices deliver greater operational reliability and are easier to install, service and maintain. In addition, the compact trim and diaphragm design reduces the valve's center-to-back take out distance up to a full 7"/178mm when compared with competitive valves.



FireLock NXT® Dry System Check Valve†
SERIES 768, PG. 7-3



FireLock NXT Deluge System Check Valve†
SERIES 769, PG. 7-4



FireLock NXT Preaction System Check Valve†
SERIES 769, PGS. 7-5-7-7



FireLock NXT Alternate Wet/Dry System Check Valve†
 (available in Europe only)
SERIES 764, PG. 7-8



FireLock Alarm Check Valve
SERIES 751, PG. 7-10



FireLock European Alarm Check Valve Station
SERIES 751, PG. 7-11



FireLock Fire-Pac
SERIES 745, PG. 7-12-7-13



† Shown with Vic®-Quick riser recommended trim configuration.

FireLock Automatic Devices and Accessories

The innovative design of the new FireLock NXT line went beyond the valve itself. To reduce the footprint required for the trim to the bare minimum, trim components were redesigned to optimize performance and save space.



The low pressure actuator used on FireLock NXT devices eliminates the air-to-water differential. FireLock NXT valves feature a single set point of 13psi/90kPa for water supply systems up to 300psi/2065kPa.



The 3-in-1 device combines a check valve, a strainer and a restrictor into a single unit.



The air feed manifold was specifically designed to reduce the room needed for this component while improving performance.

Accessories

STANDARD, PG. 7-13

- Series 7C7 Compressor Package
- Series 776 Low Pressure Actuator
- Series 753-E Solenoid Actuator
- Series 798 Double Pneumatic Actuator
- Series 767 Electric/Pneumatic Actuator
- Series 748 Ball Check Valve
- Series 729 Ball Drip Assembly
- Series 755 Manual Pull Station
- Series 749 Auto Drain Assembly

OPTIONAL, PG. 7-13

- Series 752 Retard Chamber
- Series 760 Water Motor Alarm
- Drain Connection Kit
- Series 746 Dry Accelerator
- Series 746-LPA Dry Accelerator
- Series 757/757P Air Maintenance Trim Assembly
- Series 75-D Water Column Component Drain Kit
- Series 75-B Supplemental Alarm Kit

ELECTRICAL, PG. 7-13

- Supervisory Switches
- Alarm Pressure Switches

PRODUCTS

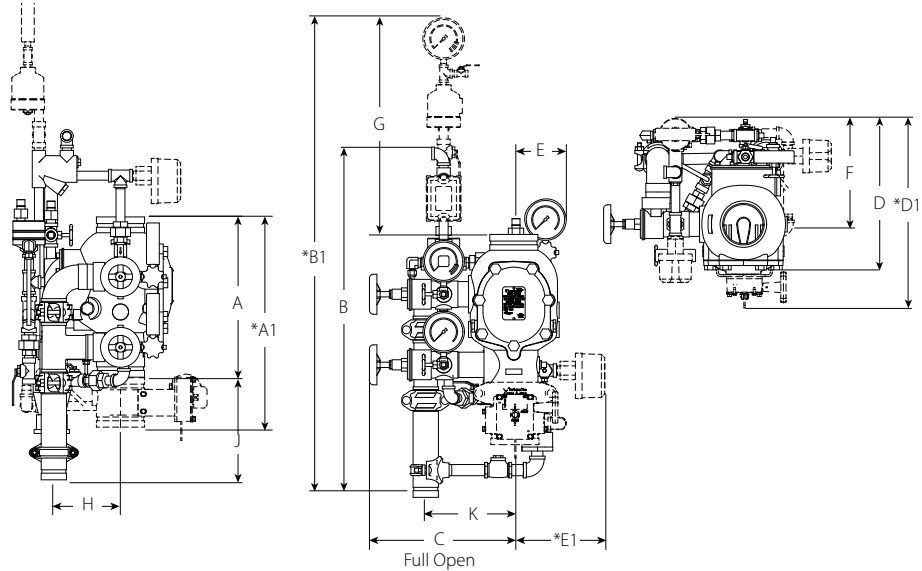
- 3-1 Couplings
- 4-1 Fittings
- 5-1 Hole Cut Piping System
- 6-1 Valves and Accessories
- 7-1 FireLock Automatic Devices and Accessories**
- 8-1 FireLock Automatic Sprinklers
- 9-1 Specialty Products
- 10-1 Pipe Preparation Tools
- 11-1 Product Index

FireLock Automatic Devices and Accessories

FireLock NXT Dry System Check Valve

SERIES 768

For Complete Information Request Publication 30.80



THE 4"/100mm UL LISTED, FM APPROVED CONFIGURATION IS SHOWN ABOVE
 1½–2"/40–50mm CONFIGURATIONS CONTAIN ¾"/20mm DRAIN VALVES.
 2½–3"/65–80mm CONFIGURATIONS CONTAIN 1¼"/32mm DRAIN VALVES.
 4–8"/100–200mm CONFIGURATIONS CONTAIN 2"/50mm DRAIN VALVES.

Size		Dimensions														Approximate Weight Each	
Nominal Size Inches mm	Actual Outside Diameter Inches mm	A Inches mm	A1 * Inches mm	B Inches mm	B1 * Inches mm	C Inches mm	D Inches mm	D1 * Inches mm	E Inches mm	E1 * Inches mm	F Inches mm	G Inches mm	H Inches mm	J Inches mm	K Inches mm	Without Trim Lbs. kg	With Trim Lbs. kg
1½ 40	1.900 48.3	9.00 228.60	16.43 417.32	27.25 692	39.50 1003	13.75 349	16.00 406	—	5.25 133	8.50 215	9.50 241	21.25 539	3.04 77.21	9.17 232.91	6.98 177.29	16.7 7.6	43.0 19.5
2 50	2.375 60.3	9.00 228.60	16.43 417.32	27.25 692	39.50 1003	13.75 349	16.00 406	—	5.25 133	8.50 215	9.50 241	21.25 539	3.04 77.21	9.17 232.91	6.98 177.29	17.0 7.7	43.3 19.6
2½ 65	2.875 73.0	12.61 320.29	16.50 419.10	32.25 819	44.25 1123	13.50 342	16.00 406	17.50 444	5.25 133	9.00 228	9.25 234	21.25 539	3.90 99.06	10.50 266.70	6.93 176.02	41.0 18.7	65.0 29.5
76.1 mm	3.000 76.1	12.61 320.29	16.50 419.10	32.25 819	44.25 1123	13.50 342	16.00 406	17.50 444	5.25 133	9.00 228	9.25 234	21.25 539	3.90 99.06	10.50 266.70	6.93 176.02	41.0 18.7	65.0 29.5
3 80	3.500 88.9	12.61 320.29	16.50 419.10	32.25 819	44.25 1123	13.50 342	16.00 406	17.50 444	5.25 133	9.00 228	9.25 234	21.25 539	3.90 99.06	10.50 266.70	6.93 176.02	41.0 18.7	65.0 29.5
4 100	4.500 114.3	15.03 381.76	19.78 502.41	33.50 850	45.50 1155	15.00 381	15.75 400	20.50 520	5.25 133	9.00 228	10.75 273	21.00 533	6.25 158.75	9.62 244.34	8.46 214.88	59.0 26.7	95.0 43.0
6 150	6.625 168.3	16.00 406.40	22.00 558.80	34.00 863	46.00 1168	15.50 393	17.00 431	22.00 558	5.25 133	8.50 215	11.50 292	20.50 520	6.20 157.48	9.62 244.34	8.84 224.53	80.0 36.2	116.0 52.6
165.1 mm	6.500 165.1	16.00 406.40	22.00 558.80	34.00 863	46.00 1168	15.50 393	17.00 431	22.00 558	5.25 133	8.50 215	11.50 292	20.50 520	6.20 157.48	9.62 244.34	8.84 224.53	80.0 36.2	116.0 52.6
8 200	8.625 219.1	17.50 444.50	22.94 582.67	33.50 850	45.50 1155	16.75 425	20.00 508	25.25 641	6.25 158	8.75 222	12.75 323	18.50 469	6.05 153.67	9.40 238.76	10.21 259.33	122.0 55.3	158.0 71.6

- Vic-Quick Riser speeds installation, see pg. 7-9
- Includes control valves, pressure switches, and drain kit
- Single set point of 13psi/90kPa of air allows for a smaller compressor and easier set-up
- Low differential, latched clapper valve that separates system water from dry-pipe sprinkler systems
- Available bare, pretrimmed, as a Vic-Quick riser or in a Series 745 FireLock Fire-Pac cabinet, pg. 7-13
- When the system air pressure is released, the decreasing air pressure activates the low pressure actuator and releases the latch mechanism, which allows the clapper to open
- For available accessories and actuators, see pg. 7-15
- Pressure rated up to 300psi/2065kPa
- Sizes from 1½–8"/40–200mm

* Measurements denoted with an asterisk take optional equipment into account.

IMPORTANT NOTES:

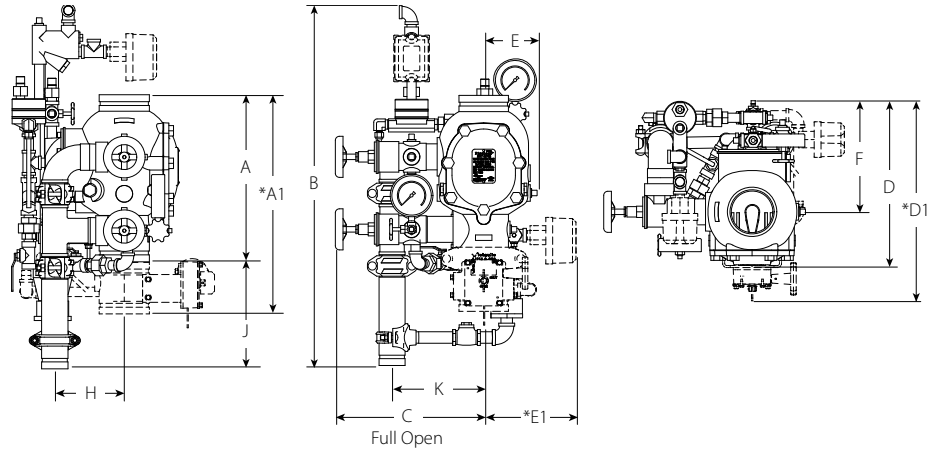
The "A" dimension coupling is not shown in order to clarify dimensional callouts. Components shown as dotted lines denote optional equipment. Optional drain connection kit is shown for reference and takeout dimensions. The drawings shown above reflect the dry pilot trim with Series 776 low pressure actuator.

FireLock Automatic Devices and Accessories

FireLock NXT Deluge System Check Valve

SERIES 769

For Complete Information
Request Publication **30.81**



THE 4"/100mm DRY PILOT CONFIGURATION IS SHOWN ABOVE
1½–2"/40–50mm CONFIGURATIONS CONTAIN ¾"/20mm DRAIN VALVES.
2½–3"/65–80mm CONFIGURATIONS CONTAIN 1¼"/32mm DRAIN VALVES.
4–8"/100–200mm CONFIGURATIONS CONTAIN 2"/50mm DRAIN VALVES.



Size		Dimensions													Approximate Weight Each	
Nominal Size Inches mm	Actual Outside Diameter Inches mm	A Inches mm	A1 * Inches mm	B Inches mm	C Inches mm	D Inches mm	D1 * Inches mm	E Inches mm	E1 * Inches mm	F Inches mm	H Inches mm	J Inches mm	K Inches mm	Without Trim Lbs. kg	With Trim Lbs. kg	
1½ 40	1.900 48.3	9.00 228.60	16.43 417.32	28.50 723	13.75 349	12.50 317	15.00 381	5.25 133	8.50 215	9.25 234	3.04 77.21	9.17 232.91	6.98 177.29	16.7 7.6	43.0 19.5	
2 50	2.375 60.3	9.00 228.60	16.43 417.32	28.50 723	13.75 349	12.50 317	15.00 381	5.25 133	8.50 215	9.25 234	3.04 77.21	9.17 232.91	6.98 177.29	17.0 7.7	43.3 19.6	
2½ † 65	2.875 73.0	12.61 320.29	16.50 419.10	32.25 819	13.50 342	13.50 342	17.50 444	5.25 133	9.00 228	9.25 234	3.90 99.06	10.50 266.70	6.93 176.02	41.0 18.7	65.0 29.5	
76.1 mm	3.000 76.1	12.61 320.29	16.50 419.10	32.25 819	13.50 342	13.50 342	17.50 444	5.25 133	9.00 228	9.25 234	3.90 99.06	10.50 266.70	6.93 176.02	41.0 18.7	65.0 29.5	
3 80	3.500 88.9	12.61 320.29	16.50 419.10	32.25 819	13.50 342	13.50 342	17.50 444	5.25 133	9.00 228	9.25 234	3.90 99.06	10.50 266.70	6.93 176.02	41.0 18.7	65.0 29.5	
4 100	4.500 114.3	15.03 381.76	19.78 502.41	33.50 850	15.00 381	15.75 400	20.50 520	5.50 139	9.00 228	10.75 273	6.25 158.75	9.62 244.34	8.46 214.88	59.0 26.7	95.0 43.0	
6 150	6.625 168.3	16.00 406.40	22.00 558.80	33.75 857	15.50 393	16.75 425	22.00 558	6.00 152	8.50 215	11.25 285	6.20 157.48	9.62 244.34	8.84 224.53	80.0 36.2	116.0 52.6	
165.1 mm	6.500 165.1	16.00 406.40	22.00 558.80	33.75 857	15.50 393	16.75 425	22.00 558	6.00 152	8.50 215	11.25 285	6.20 157.48	9.62 244.34	8.84 224.53	80.0 36.2	116.0 52.6	
8 200	8.625 219.1	17.50 444.50	22.94 582.67	33.50 850	16.75 425	19.75 501	25.25 641	7.00 177	8.75 222	12.75 323	6.05 153.67	9.40 238.76	10.21 259.33	122.0 55.3	158.0 71.6	

- Vic-Quick Riser speeds installation, see pg. 7-9
- Includes control valves, pressure switches, and drain kit
- Single set point of 13 psi/90 kPa of air allows for a smaller compressor and easier set-up
- Low differential, latched clapper valve that separates system water supplies from deluge pipe sprinkler systems
- Available bare, pretrimmed, as a Vic-Quick riser or in a Series 745 FireLock Fire-Pac cabinet, pg. 7-13
- For available accessories and actuators, see pg. 7-15
- Pressure rated up to 300 psi/2065 kPa
- Sizes from 1½–8"/40–200mm

* Measurements denoted with an asterisk take optional equipment into account.
† European trim configurations are not available in 2½"/65 mm pipe sizes.

IMPORTANT NOTES:

The drawings shown above reflect the dry pilot trim with Series 776 low pressure actuator.
Available wet pilot or dry pilot with the Series 776 low pressure actuator.
In addition, these dimensions can be applied to hydraulic (wet pilot) release and electric release trim.
Components shown as dotted lines denote optional equipment.
Optional drain connection kit is shown for reference and takeout dimensions.

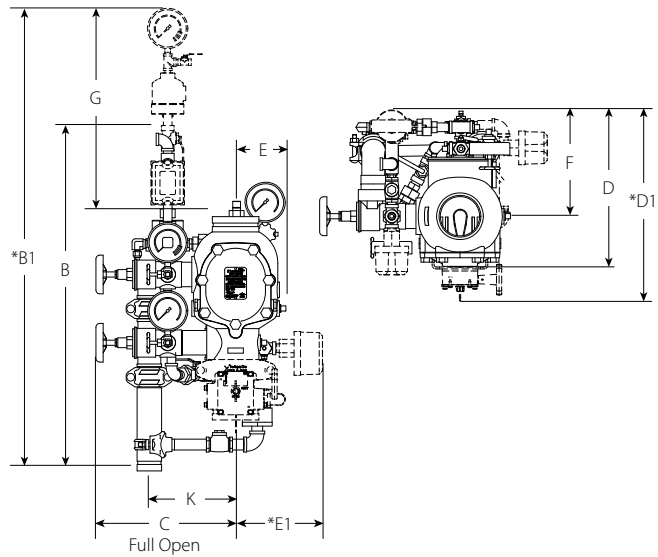
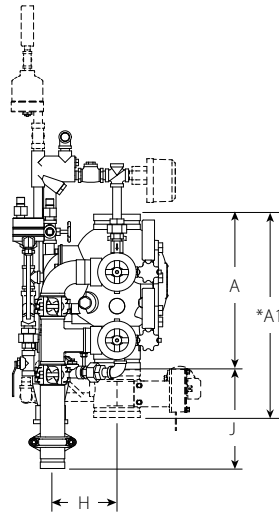


FireLock Automatic Devices and Accessories

FireLock NXT Preaction System Check Valve

SERIES 769 WITH SERIES 776 LOW-PRESSURE ACTUATORS

For Complete Information Request Publication **30.82**



THE 4"/100mm CONFIGURATION IS SHOWN ABOVE
 1½–2"/40–50mm CONFIGURATIONS CONTAIN ¾"/20mm DRAIN VALVES.
 2½–3"/65–80mm CONFIGURATIONS CONTAIN 1¼"/32mm DRAIN VALVES.
 4–8"/100–200mm CONFIGURATIONS CONTAIN 2"/50mm DRAIN VALVES.

Size		Dimensions															Approximate Weight Each	
Nominal Size Inches mm	Actual Outside Diameter Inches mm	A Inches mm	A1 * Inches mm	B Inches mm	B1 * Inches mm	C Inches mm	D Inches mm	D1 * Inches mm	E Inches mm	E1 * Inches mm	F Inches mm	G Inches mm	H Inches mm	J Inches mm	K Inches mm	Without Trim Lbs. kg	With Trim Lbs. kg	
1½ 40	1.900 48.3	9.00 228.60	16.43 417.32	28.25 717	40.50 1028	13.75 349	16.00 406	—	5.25 133	8.50 215	9.50 241	22.25 565	3.04 77.21	9.17 232.91	6.98 177.29	16.7 7.6	43.0 19.5	
2 50	2.375 60.3	9.00 228.60	16.43 417.32	28.25 717	40.50 1028	13.75 349	16.00 406	—	5.25 133	8.50 215	9.50 241	22.25 565	3.04 77.21	9.17 232.91	6.98 177.29	17.0 7.7	43.3 19.6	
2½ 65	2.875 73.0	12.61 320.29	16.50 419.10	32.25 819	44.25 1123	13.50 342	16.00 406	17.50 444	5.25 133	9.00 228	9.25 234	21.25 539	3.90 99.06	10.50 266.70	6.93 176.02	41.0 18.7	65.0 29.5	
76.1 mm	3.000 76.1	12.61 320.29	16.50 419.10	32.25 819	44.25 1123	13.50 342	16.00 406	17.50 444	5.25 133	9.00 228	9.25 234	21.25 539	3.90 99.06	10.50 266.70	6.93 176.02	41.0 18.7	65.0 29.5	
3 80	3.500 88.9	12.61 320.29	16.50 419.10	32.25 819	44.25 1123	13.50 342	16.00 406	17.50 444	5.25 133	9.00 228	9.25 234	21.25 539	3.90 99.06	10.50 266.70	6.93 176.02	41.0 18.7	65.0 29.5	
4 100	4.500 114.3	15.03 381.76	19.78 502.41	33.25 844	45.50 1155	15.00 381	15.75 400	20.50 520	5.50 139	9.00 228	10.75 273	20.75 527	6.25 158.75	9.62 244.34	8.46 214.88	59.0 26.7	95.0 43.0	
6 150	6.625 168.3	16.00 406.40	22.00 558.80	33.50 850	45.75 1162	15.50 393	17.00 431	22.00 558	6.00 152	8.50 215	11.50 292	20.00 508	6.20 157.48	9.62 244.34	8.84 224.53	80.0 36.2	116.0 52.6	
165.1 mm	6.500 165.1	16.00 406.40	22.00 558.80	33.50 850	45.75 1162	15.50 393	17.00 431	22.00 558	6.00 152	8.50 215	11.50 292	20.00 508	6.20 157.48	9.62 244.34	8.84 224.53	80.0 36.2	116.0 52.6	
8 200	8.625 219.1	17.50 444.50	22.94 582.67	33.50 850	45.50 1155	16.75 425	20.00 508	25.25 641	7.00 177	8.75 222	12.75 323	18.50 469	6.05 153.67	9.40 238.76	10.21 259.33	122.0 55.3	158.0 71.6	

- Vic-Quick Riser speeds installation, see pg. 7-9
- Includes control valves, pressure switches, and drain kit
- Single set point of 13 psi/90 kPa of air allows for a smaller compressor and easier set-up
- Low differential, latched clapper valve that separates system water from preaction pipe sprinkler systems
- Full trim packages for non-interlocked, single-interlocked and double-interlocked systems are available
- Available bare, pretrimmed, as a Vic-Quick riser or in a Series 745 FireLock Fire-Pac cabinet, pg. 7-13
- For available accessories and actuators, see pg. 7-15
- Pressure rated up to 300 psi/2065 kPa
- Sizes from 1½–8"/40–200 mm

* Measurements denoted with an asterisk take optional equipment into account.

IMPORTANT NOTES:

The drawings shown above reflect single-interlocked, pneumatic release trim with Series 776 Low-Pressure Actuator.

Available in the following trim configurations:

- Non-interlock
 - Pneumatic release
 - Electric release
- Single-interlock
 - Pneumatic release
 - Electric release
- Double-interlock
 - Pneumatic/electric release
 - Electric/pneumatic/electric release
 - Pneumatic/pneumatic release

Components shown as dotted lines denote optional equipment.

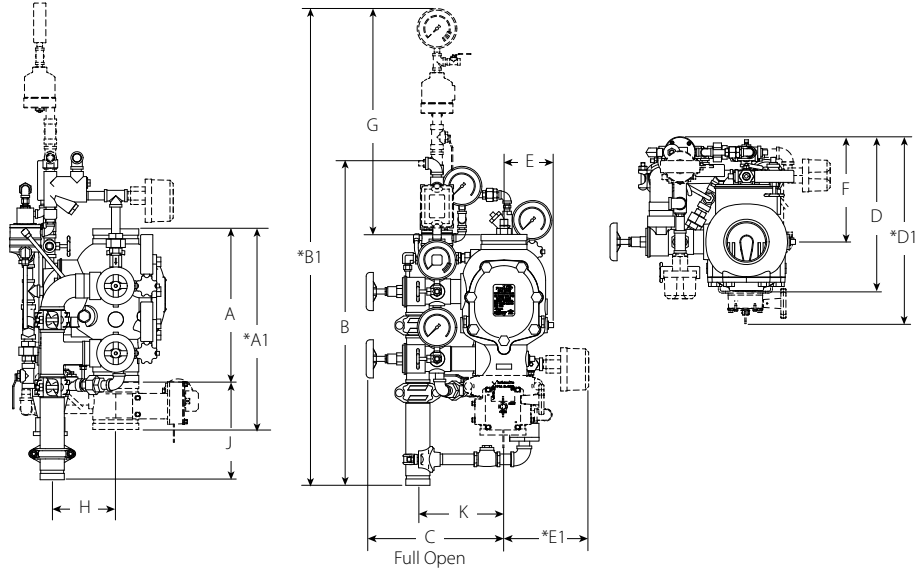
Optional drain connection kit is shown for reference and takeout dimensions.

FireLock Automatic Devices and Accessories

FireLock NXT Preaction System Check Valve

**SERIES 769 WITH SERIES 767
ELECTRIC/PNEUMATIC ACTUATORS**

For Complete Information
Request Publication **30.82**



THE 4"/100mm CONFIGURATION IS SHOWN ABOVE
 1½–2"/40–50mm CONFIGURATIONS CONTAIN ¾"/20mm DRAIN VALVES.
 2½–3"/65–80mm CONFIGURATIONS CONTAIN 1¼"/32mm DRAIN VALVES.
 4–8"/100–200mm CONFIGURATIONS CONTAIN 2"/50mm DRAIN VALVES.

Size		Dimensions														Approximate Weight Each	
Nominal Size Inches mm	Actual Outside Diameter Inches mm	A Inches mm	A1 * Inches mm	B Inches mm	B1 * Inches mm	C Inches mm	D Inches mm	D1 * Inches mm	E Inches mm	E1 * Inches mm	F Inches mm	G Inches mm	H Inches mm	J Inches mm	K Inches mm	Without Trim Lbs. kg	With Trim Lbs. kg
1½ 40	1.900 48.3	9.00 228.60	16.43 417.32	28.00 711	42.75 1085	13.75 349	16.00 406	15.00 381	5.25 133	8.50 215	9.50 241	24.50 622	3.04 77.21	9.17 232.91	6.98 177.29	16.7 7.6	43.0 19.5
2 50	2.375 60.3	9.00 228.60	16.43 417.32	28.00 711	42.75 1085	13.75 349	16.00 406	15.00 381	5.25 133	8.50 215	9.50 241	24.50 622	3.04 77.21	9.17 232.91	6.98 177.29	17.0 7.7	43.3 19.6
2½ 65	2.875 73.0	12.61 320.29	16.50 419.10	31.25 793	45.75 1162	13.50 342	16.25 412	18.00 457	5.25 133	9.00 228	9.75 247	22.75 577	3.90 99.06	10.50 266.70	6.93 176.02	41.0 18.7	65.0 29.5
76.1 mm	3.000 76.1	12.61 320.29	16.50 419.10	31.25 793	45.75 1162	13.50 342	16.25 412	18.00 457	5.25 133	9.00 228	9.75 247	22.75 577	3.90 99.06	10.50 266.70	6.93 176.02	41.0 18.7	65.0 29.5
3 80	3.500 88.9	12.61 320.29	16.50 419.10	31.25 793	45.75 1162	13.50 342	16.25 412	18.00 457	5.25 133	9.00 228	9.75 247	22.75 577	3.90 99.06	10.50 266.70	6.93 176.02	41.0 18.7	65.0 29.5
4 100	4.500 114.3	15.03 381.76	19.78 502.41	32.75 831	47.50 1206	15.00 381	16.25 412	20.75 527	5.50 139	9.00 228	11.25 285	22.75 577	6.25 158.75	9.62 244.34	8.46 214.88	59.0 26.7	95.0 43.0
6 150	6.625 168.3	16.00 406.40	22.00 558.80	32.75 831	47.50 1206	15.50 393	17.25 438	22.25 565	6.00 152	8.50 215	11.50 292	21.75 552	6.20 157.48	9.62 244.34	8.84 224.53	80.0 36.2	116.0 52.6
165.1 mm	6.500 165.1	16.00 406.40	22.00 558.80	32.75 831	47.50 1206	15.50 393	17.25 438	22.25 565	6.00 152	8.50 215	11.50 292	21.75 552	6.20 157.48	9.62 244.34	8.84 224.53	80.0 36.2	116.0 52.6
8 200	8.625 219.1	17.50 444.50	22.94 582.67	32.50 825	47.00 1193	16.75 425	20.00 508	25.50 647	7.00 177	8.75 222	13.00 330	20.25 514	6.05 153.67	9.40 238.76	10.21 259.33	122.0 55.3	158.0 71.6

- Vic-Quick Riser speeds installation, see pg. 7-9
- Includes control valves, pressure switches, and drain kit
- Single set point of 13 psi/90kPa of air allows for a smaller compressor and easier set-up
- Low differential, latched clapper valve that separates system water from preaction pipe sprinkler systems
- Full trim packages for non-interlocked, single-interlocked and double-interlocked systems are available
- Available bare, pretrimmed, as a Vic-Quick riser or in a Series 745 FireLock Fire-Pac cabinet, pg. 7-13
- For available accessories and actuators, see pg. 7-15
- Pressure rated up to 300 psi/2065 kPa
- Sizes from 1½–8"/40–200 mm

* Measurements denoted with an asterisk take optional equipment into account.

IMPORTANT NOTES:

Components shown as dotted lines denote optional equipment.
 Optional drain connection kit is shown for reference and takeout dimensions.

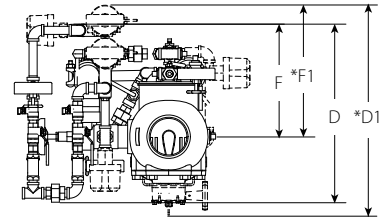
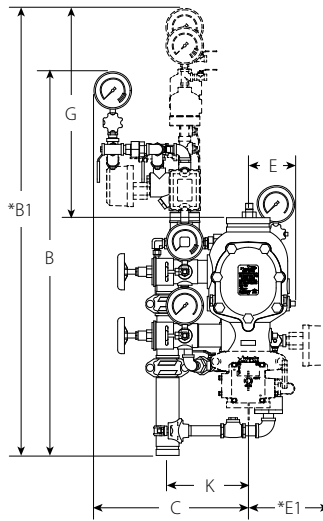
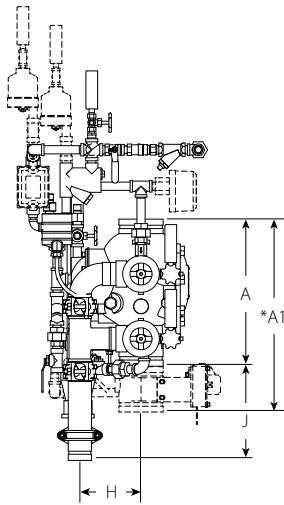


FireLock Automatic Devices and Accessories

FireLock NXT Preaction System Check Valve

**SERIES 769 WITH SERIES 798
DOUBLE-PNEUMATIC ACTUATORS**

For Complete Information
Request Publication **30.82**



THE 4"/100mm CONFIGURATION IS SHOWN ABOVE
1½–2"/40–50mm CONFIGURATIONS CONTAIN ¼"/20mm DRAIN VALVES.
2½–3"/65–80mm CONFIGURATIONS CONTAIN 1¼"/32mm DRAIN VALVES.
4–8"/100–200mm CONFIGURATIONS CONTAIN 2"/50mm DRAIN VALVES.

Size		Dimensions															Approximate Weight Each	
Nominal Size Inches mm	Actual Outside Diameter Inches mm	A Inches mm	A1 * Inches mm	B Inches mm	B1 * Inches mm	C Inches mm	D Inches mm	D1 * Inches mm	E Inches mm	E1 * Inches mm	F Inches mm	F1 Inches mm	G Inches mm	H Inches mm	J Inches mm	K Inches mm	Without Trim Lbs. kg	With Trim Lbs. kg
1½ 40	1.900 48.3	9.00 228.60	16.43 417.32	36.00 914	42.50 1079	15.75 400	19.00 482	21.00 533	5.25 133	8.50 215	10.75 273	12.75 323	24.25 615	3.04 77.21	9.17 232.91	6.98 177.29	16.7 7.6	43.0 19.5
2 50	2.375 60.3	9.00 228.60	16.43 417.32	36.00 914	42.50 1079	15.75 400	19.00 482	21.00 533	5.25 133	8.50 215	10.75 273	12.75 323	24.25 615	3.04 77.21	9.17 232.91	6.98 177.29	17.0 7.7	43.3 19.6
2½ 65	2.875 73.0	12.61 320.29	16.50 419.10	39.25 996	45.75 1162	15.75 400	19.00 482	21.00 533	5.25 133	9.00 228	10.75 273	12.75 323	22.50 571	3.90 99.06	10.50 266.70	6.93 176.02	41.0 18.7	65.0 29.5
76.1 mm	3.000 76.1	12.61 320.29	16.50 419.10	39.25 996	45.75 1162	15.75 400	19.00 482	21.00 533	5.25 133	9.00 228	10.75 273	12.75 323	22.50 571	3.90 99.06	10.50 266.70	6.93 176.02	41.0 18.7	65.0 29.5
3 80	3.500 88.9	12.61 320.29	16.50 419.10	39.25 996	45.75 1162	15.75 400	19.00 482	21.00 533	5.25 133	9.00 228	10.75 273	12.75 323	22.50 571	3.90 99.06	10.50 266.70	6.93 176.02	41.0 18.7	65.0 29.5
4 100	4.500 114.3	15.03 381.76	19.78 502.41	40.50 1028	47.00 1193	16.75 425	19.00 482	24.00 609	5.50 139	9.00 228	12.25 311	14.25 361	22.25 565	6.25 158.75	9.62 244.34	8.46 214.88	59.0 26.7	95.0 43.0
6 150	6.625 168.3	16.00 406.40	22.00 558.80	40.75 1035	47.25 1200	17.00 431	19.00 482	25.25 641	6.00 152	8.50 215	12.75 323	14.75 374	21.50 546	6.20 157.48	9.62 244.34	8.84 224.53	80.0 36.2	116.0 52.6
165.1 mm	6.500 165.1	16.00 406.40	22.00 558.80	40.75 1035	47.25 1200	17.00 431	19.00 482	25.25 641	6.00 152	8.50 215	12.75 323	14.75 374	21.50 546	6.20 157.48	9.62 244.34	8.84 224.53	80.0 36.2	116.0 52.6
8 200	8.625 219.1	17.50 444.50	22.94 582.67	40.50 1028	47.00 1193	18.25 463	21.50 546	28.75 730	7.00 177	8.75 222	14.25 361	16.25 412	20.00 508	6.05 153.67	9.40 238.76	10.21 259.33	122.0 55.3	158.0 71.6

- Vic-Quick Riser speeds installation, see pg. 7-9
- Includes control valves, pressure switches, and drain kit
- Single set point of 13psi/90kPa of air allows for a smaller compressor and easier set-up
- Low differential, latched clapper valve that separates system water from preaction pipe sprinkler systems
- Full trim packages for non-interlocked, single-interlocked and double-interlocked systems are available
- Available bare, pretrimmed, as a Vic-Quick riser or in a Series 745 FireLock Fire-Pac cabinet, pg. 7-13
- For available accessories and actuators, see pg. 7-15
- Pressure rated up to 300psi/2065kPa
- Sizes from 1½–8"/40–200mm

* Measurements denoted with an asterisk take optional equipment into account.

IMPORTANT NOTES:

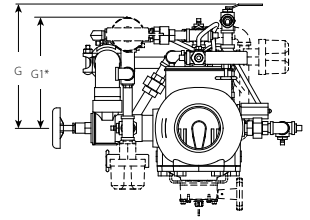
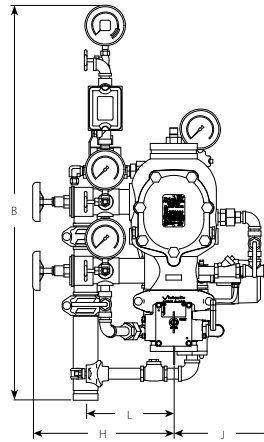
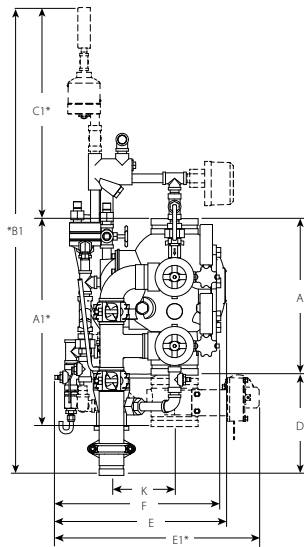
Components shown as dotted lines denote optional equipment.
Optional drain connection kit is shown for reference and takeout dimensions.

FireLock Automatic Devices and Accessories

FireLock NXT Alternate
Wet/Dry System Check Valve
– Europe only

SERIES 764

For Complete Information Request
Publication 30.83



Size		Dimensions – Inches/mm															Approx. Weight Each Lbs./kg	
Nominal Size Inches/mm	Actual Outside Dia. Inches/mm	A	A1*	B	B1*	C1*	D	E	E1*	F	G	G1*	H	J	K	L	Without Trim	With Trim
1½ 40	1.900 48.3	9.00 228.60	16.31 414.27	27.50 698	34.50 876	16.50 419	9.75 247	12.50 317	15.00 381	15.75 400	9.25 234	11.25 285	10.20 259.08	8.50 215.90	3.04 77.21	6.98 177.29	16.7 7.6	43.0 19.5
2 50	2.375 60.3	9.00 228.60	16.31 414.27	27.50 698	34.50 876	16.50 419	9.75 247	12.50 317	15.00 381	15.75 400	9.25 234	11.25 285	10.20 259.08	8.53 216.66	3.04 77.21	6.98 177.29	17.0 7.7	43.0 19.5
76.1 mm	3.00 76.1	12.61 320.29	16.44 417.57	31.75 806	44.25 1123	21.25 539	11.25 285	14.50 368	18.25 463	16.75 425	10.00 254	9.75 247	10.65 270.51	9.04 229.61	3.76 95.50	6.69 169.92	41.0 18.7	65.0 29.5
3 80	3.500 88.9	12.61 320.29	16.44 417.57	31.75 806	44.25 1123	21.25 539	11.25 285	14.50 368	18.75 476	16.75 425	10.00 254	9.75 247	10.65 270.51	9.04 229.61	3.76 95.50	6.69 169.92	41.0 18.7	65.0 29.5
4 100	4.500 114.3	15.03 381.76	19.78 502.41	32.75 831	45.50 1155	21.00 533	10.25 260	16.00 406	20.75 527	15.50 393	11.25 285	10.75 273	13.54 343.91	9.56 242.82	6.06 153.92	8.46 214.88	59.0 26.7	95.0 43.0
165.1 mm	6.500 165.1	16.00 406.40	22.00 558.80	33.00 838	45.75 1162	20.00 508	10.25 260	17.25 438	22.25 565	15.75 400	11.50 292	11.00 279	13.46 341.88	9.94 252.47	6.06 153.92	8.38 212.85	80.0 36.2	116.0 52.6
8 200	8.625 219.1	17.50 444.50	23.01 584.45	33.00 838	45.75 1162	18.75 476	10.00 254	19.00 482	24.25 615	16.00 406	11.75 298	11.00 279	14.80 375.92	11.00 279.40	6.06 153.92	9.72 246.88	122.0 55.3	158.0 71.6

NOTES:
The "A" dimension coupling is not shown in order to clarify dimensional callouts.
Components shown as dotted lines denote optional equipment.
* Measurements denoted with an asterisk take optional equipment into account.
Optional drain connection kit is shown for reference and takeout dimensions.

- Valve can be field-converted from wet to dry quickly to accommodate changes in temperature
- Valve pre-trimmed to speed installation, see pg. 7-9
- Includes control valves, pressure switches, and drain kit
- Single set point of 13 psi/90 kPa of air allows for a smaller compressor and easier set-up
- Low differential, latched clapper valve that separates system water from dry-pipe sprinkler systems
- Available bare, pretrimmed, as a Vic-Quick riser, pg. 7-13
- When the system air pressure is released, the decreasing air pressure activates the low pressure actuator and releases the latch mechanism, which allows the clapper to open
- For available accessories and actuators, see pg. 7-15
- Pressure rated up to 300 psi/2065 kPa
- Sizes from 1½ – 8"/40 – 200 mm



FireLock Automatic Devices and Accessories

Vic-Quick Riser Trim Kit

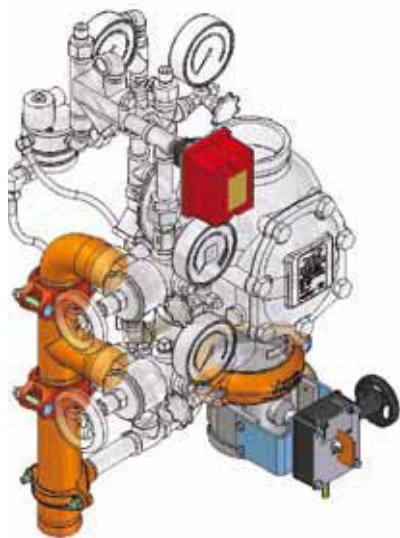
FireLock NXT valves can be specified with a Vic-Quick riser trim assembly. Valve installation time is reduced by up to 30% when the valve is pre-trimmed.

VIC-QUICK RISERS INCLUDE:

- Shut off valve
- Pre-set pressure switches
- Drain kit for ease of installation.

The Vic-Quick Riser is available for all sizes of Series 768 dry, Series 769 deluge and Series 769 preaction FireLock NXT valves. The Vic-Quick riser can be installed into the system using Style 009 /009V FireLock EZ or Style 005 FireLock rigid couplings. Once the air lines and drains are connected the valves are ready for service.

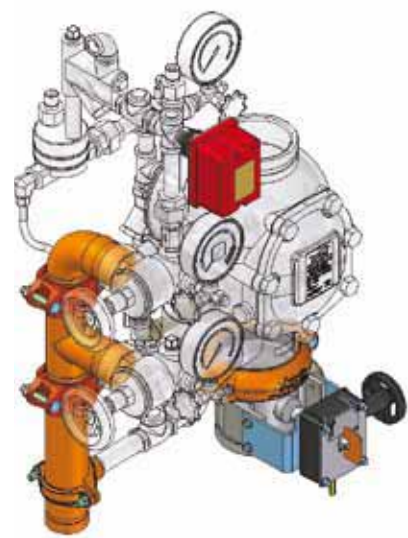
FireLock NXT Valves shown with Vic-Quick Riser Trim Kit



SERIES 768 DRY VALVE



SERIES 769 DELUGE VALVE



SERIES 769 PREACTION VALVE

FireLock Automatic Devices and Accessories

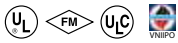
FireLock Alarm Check Valve

SERIES 751

For Complete Information
Request Publication 30.01

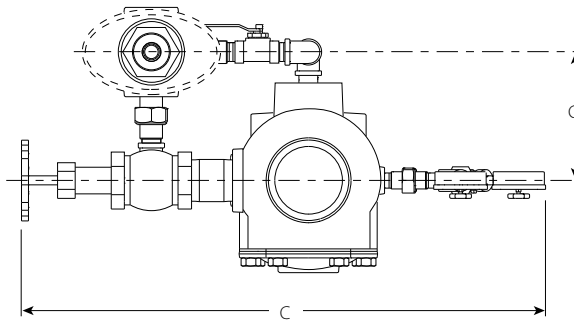


Size		Dimensions										Approximate Weight Each	
Nominal Size Inches mm	Actual Outside Diameter Inches mm	A End to End Inches mm	B Height Inches mm	C Width Inches mm	D Depth Inches mm	E Inches mm	F Inches mm	G Inches mm	H Inches mm	J Inches mm	Without Trim Lbs. kg	With Trim Lbs. kg	
1½ 40	1.900 48.3	9.00 228.60	18.50 470	21.00 533	12.50 318	10.00 254	11.00 279	9.00 229	5.00 127	5.00 127	14.2 6.4	31.0 14.1	
2 50	2.375 60.3	9.00 228.60	18.50 470	21.00 533	12.50 318	10.00 254	11.00 279	9.00 229	5.00 127	5.00 127	14.6 6.6	31.0 14.1	
2½ 65	2.875 73.0	12.61 320.29	22.50 572	23.50 597	13.50 343	11.25 286	12.00 305	9.00 229	5.00 127	5.00 127	34.4 15.6	52.0 23.6	
76.1 mm	3.000 76.1	12.61 320.29	22.50 572	23.50 597	13.50 343	11.25 286	12.00 305	9.00 229	5.00 127	5.00 127	34.4 15.6	52.0 23.6	
3 80	3.500 88.9	12.61 320.29	22.50 572	23.50 597	13.50 343	11.25 286	12.00 305	9.00 229	5.00 127	5.00 127	35.3 16.0	52.0 23.6	
4 100	4.500 114.3	15.03 381.76	23.50 597	29.00 737	14.00 356	13.50 343	15.00 381	10.00 254	5.80 147	5.80 147	49.0 22.2	80.0 36.3	
6 ** 150	6.625 168.3	16.00 406.40	24.00 610	30.11 765	17.28 439	14.25 362	16.00 406	10.00 254	5.88 149	6.02 153	69.0 31.3	91.0 41.3	
165.1 mm	6.500 165.1	16.00 406.40	24.00 610	30.11 765	17.28 439	14.25 362	16.00 406	10.00 254	5.88 149	6.02 153	69.0 31.3	95.0 43.1	
8 200	8.625 219.1	17.50 444.50	26.00 660	30.00 762	18.00 457	15.25 387	16.00 406	10.00 254	16.00 406	10.00 254	142 64.4	182 82.6	

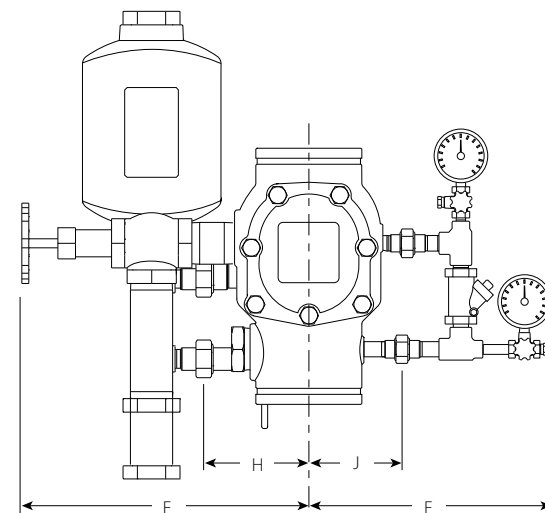


** 6" KFI Approved (Korea)

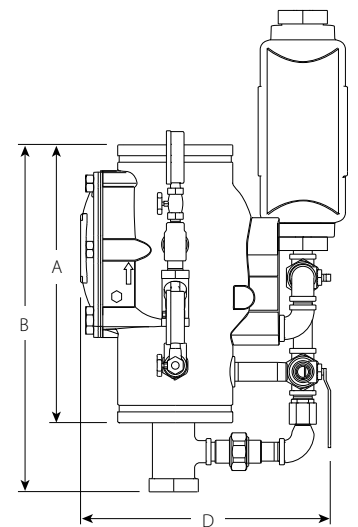
- Prevents the reverse flow of water from the system piping to the water supply
- The bypass line allows pressure surges to enter the system without causing false alarms
- Excess pressure pump trim option available upon request
- UL Listed /FM Approved/ VNIPO Approved version shown at right
- For available accessories, see pg. 7-15
- Pressure rated up to 300 psi/2065 kPa for sizes 1½–6"/40–150 mm
- Pressure rated up to 225 psi/1550 kPa for size 8"/200 mm



TYPICAL FOR ALL SIZES



TYPICAL FOR ALL SIZES



TYPICAL FOR ALL SIZES

FireLock Automatic Devices and Accessories

FireLock European Alarm Check Valve Station

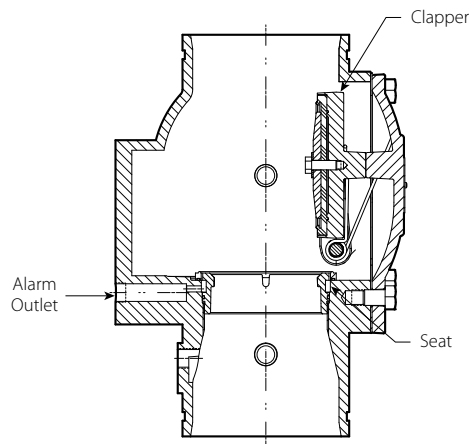
SERIES 751

For Complete Information Request Publication 30.01



- Prevents the reverse flow of water from the system piping to the water supply
- The bypass line allows pressure surges to enter the system without causing false alarms
- Can be installed in vertical positions only
- Excess pressure pump trim option available upon request
- For available accessories, see pg. 7-15
- Pressure rated up to 300 psi/2065 kPa for sizes 1½–6"/40–150 mm
- Pressure rated up to 16 Bar for size 8"/200 mm

Size		Dimensions – Inches/mm										Aprx. Wgt. Each	
Nominal Size In./mm	Actual Outside Diameter In./mm	E to E A	Height B	Width C	Depth D	E	F	G	H	J	Without Trim Lbs./kg	With Trim Lbs./kg	
1½ 40	1.900 48.3	9.00 228.60	18.50 470	21.00 533	12.50 318	10.00 254	11.00 279	9.00 229	5.00 127	5.00 127	14.2 6.4	31.0 14.1	
2 50	2.375 60.3	9.00 228.60	18.50 470	21.00 533	12.50 318	10.00 254	11.00 279	9.00 229	5.00 127	5.00 127	14.6 6.6	31.0 14.1	
2½ 65	2.875 73.0	12.61 320.29	22.50 572	23.50 597	13.50 343	11.25 286	12.00 305	9.00 229	5.00 127	5.00 127	34.4 15.6	52.0 23.6	
76.1 mm	3.000 76.1	12.61 320.29	22.50 572	23.50 597	13.50 343	11.25 286	12.00 305	9.00 229	5.00 127	5.00 127	34.4 15.6	52.0 23.6	
3 80	3.500 88.9	12.61 320.29	22.50 572	23.50 597	13.50 343	11.25 286	12.00 305	9.00 229	5.00 127	5.00 127	35.3 16.0	52.0 23.6	
4 100	4.500 114.3	15.03 381.76	23.50 597	29.00 737	14.00 356	13.50 343	15.00 381	10.00 254	5.80 147	5.80 147	49.0 22.2	80.0 36.3	
6 150	6.625 168.3	16.00 406.40	24.00 610	30.11 765	17.28 439	14.25 362	16.00 406	10.00 254	5.88 149	6.02 153	69.0 31.3	91.0 41.3	
165.1 mm	6.500 165.1	16.00 406.40	24.00 610	30.11 765	17.28 439	14.25 362	16.00 406	10.00 254	5.88 149	6.02 153	69.0 31.3	95.0 43.1	
8 200	8.625 219.1	17.50 444.50	26.00 660	30.00 762	18.00 457	15.25 387	16.00 406	10.00 254	16.00 406	10.00 254	142 64.4	182 82.6	
4 100	4.500 114.3	15.64 397.26	23.50 597	29.00 737	14.00 355	11.50 292	15.00 381	10.00 254	5.80 147	5.80 147	59.0 26.8	90.0 40.8	
6 150	6.625 168.3	16.94 430.28	24.00 610	30.11 765	17.28 439	14.00 356	16.00 406	10.00 254	5.88 149	6.02 153	79.0 35.8	106.0 48.1	
165.1 mm	6.500 165.1	16.94 430.28	24.00 610	30.11 765	17.28 439	14.00 356	16.00 406	10.00 254	5.88 149	6.02 153	79.0 35.8	110.0 49.9	
8 200	8.625 219.1	19.27 489.46	26.00 660	20.00 508	18.00 457	16.00 406	14.00 356	10.00 254	16.00 406	10.00 254	155 70	195 88.5	



Exaggerated for clarity

FireLock Automatic Devices and Accessories

FireLock Fire-Pac

SERIES 745

For Complete Information
Request Publication **30.23**

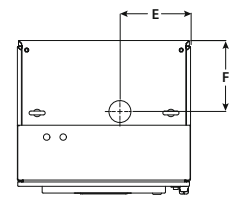
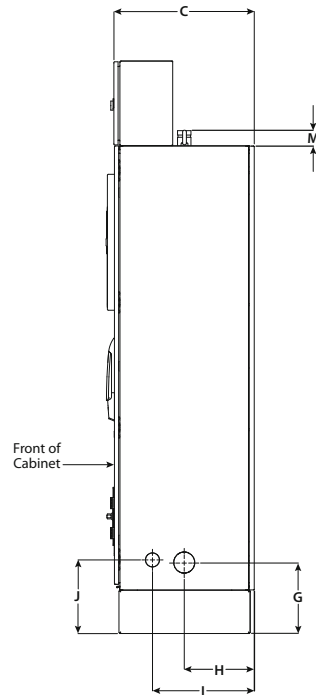
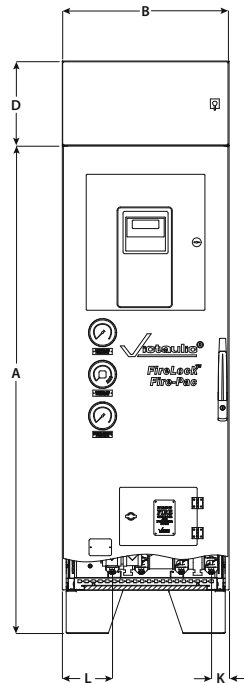


1½ – 2" / 40 – 50 mm

2½ – 6" / 65 – 150 mm

- Completely pre-assembled fire protection valve that provides maximum service in a minimal enclosed space
- All electrical enclosures and connections are UL listed, and all materials and wiring conform to NFPA requirements; CSA wiring for Canada available upon request
- Sizes from 1½–6" / 40–150 mm for the following configurations:
 Dry
 Deluge – Wet pilot, dry pilot, and electric actuation
 Preaction – Non-Interlock, Single-Interlock, Double Interlock

Valve Size		Dimensions – Inches/mm											Dimensions		Approximate Weight Each Lbs/kg
Nominal Size Inches mm	Actual Outside Diameter Inches mm	Height A	Width B	Depth C	D	E	F	G	H	I	J	K	L	M	
1½ 40	1.900 48.3	69.11 1755.4	23.62 599.9	19.89 505.2	12.00 304.8	9.63 244.6	9.69 246.1	10.05 255.3	9.92 252.0	14.42 366.3	10.43 264.9	2.52 64.0	7.06 179.3	3.00 76.2	350.0 158.8
2 50	2.375 60.3	69.11 1755.4	23.62 599.9	19.89 505.2	12.00 304.8	9.63 244.6	9.69 246.1	10.05 255.3	9.92 252.0	14.42 366.3	10.43 264.9	2.20 55.9	7.56 192.0	3.00 76.2	360.0 163.3



Top View

FireLock Automatic Devices and Accessories

FireLock Fire-Pac

SERIES 745

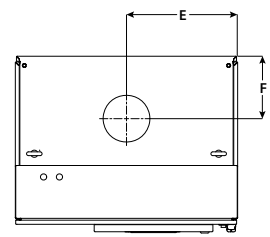
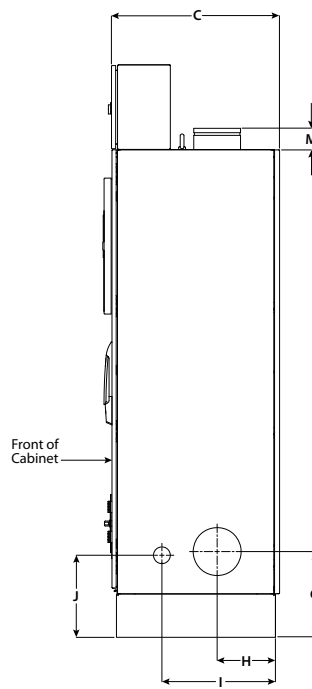
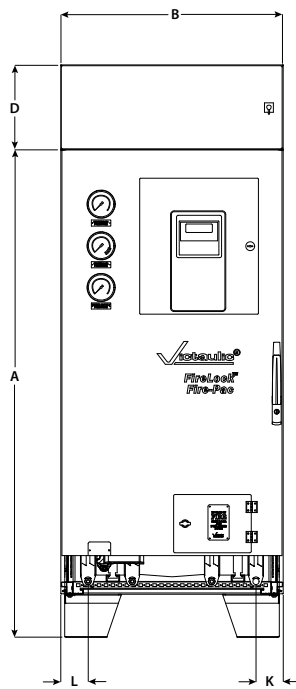
For Complete Information
Request Publication 30.23



1½–2" / 40–50 mm

2½–6" / 65–150 mm

Valve Size		Dimensions – Inches/mm											Approximate Weight Each Lbs/kg		
Nominal Size Inches mm	Actual Outside Diameter Inches mm	Height A	Width B	Depth C	D	E	F	G	H	I	J	K		L	M
2½	2.875	69.11	31.50	23.81	12.00	15.75	8.84	12.15	8.84	16.67	11.62	4.47	4.47	3.00	516.0
65	73.0	1755.4	800.1	604.8	304.8	400.1	224.5	308.6	224.5	423.4	295.1	113.5	113.5	76.2	234.1
3	3.500	69.11	31.50	23.81	12.00	15.75	8.84	12.15	8.84	16.67	11.62	5.57	5.57	3.00	522.0
80	88.9	1755.4	800.1	604.8	304.8	400.1	224.5	308.6	224.5	423.4	295.1	141.5	141.5	76.2	236.8
4	4.500	69.11	31.50	23.81	12.00	15.75	8.84	12.15	8.84	16.67	11.62	5.73	5.40	3.00	720.0
100	114.3	1755.4	800.1	604.8	304.8	400.1	224.5	308.6	224.5	423.4	295.1	155.5	137.2	76.2	326.6
6	6.625	69.11	31.50	23.81	12.00	15.75	8.84	12.15	8.84	16.67	11.62	3.85	3.85	3.00	840.0
150	168.3	1755.4	800.1	604.8	304.8	400.1	224.5	308.6	224.5	423.4	295.1	97.8	97.8	76.2	381.0



Top View

FireLock Automatic Devices and Accessories

Accessories

A full line of related audible and visible detectors, sensors, actuators, accelerators and other critical system components to customize any system are available.



STANDARD

	Series 768 Dry Pg. 7-3	Series 769 Deluge Pg. 7-4	Series 769 Preaction Pgs. 7-5 – 7-7	Series 764 Alternate Wet/Dry Pg. 7-8	Series 751 Alarm Pg. 7-10 Series 751 European Alarm Check Valve Station Pg. 7-11
Series 7C7 Compressor Package	●	●	●	●	
Series 753-E Solenoid Actuator		●	●		
Series 767 Electric/Pneumatic Actuator			●		
Series 776 Low Pressure Actuator	●	●	●	●	
Series 798 Double Pneumatic Actuator			●		
Series 729 Ball Drip Assembly	●	●	●	●	
Series 748 Ball Check Valve	●	●	●	●	
Series 749 Auto Drain Assembly	●	●	●	●	
Series 755 Manual Pull Station		●	●		

OPTIONAL

Series 746 Dry Accelerator	●	●	●	●	
Series 746-LPA Dry Accelerator	●	●	●	●	
Series 752 Firelock Retard Chamber					●
Series 757/757P Air Maintenance Trim Assembly	●	●	●	●	
Series 75-D Water Column Component Drain Kit	●	●	●	●	
Series 75-B Supplemental Alarm Kit	●	●	●	●	
Series 760 Water Motor Alarm	●	●	●	●	●
Drain Connection Kit	●	●	●	●	●

ELECTRICAL

Alarm Pressure Switches	●	●	●	●	●
Supervisory Switches	●	●	●	●	

FireLock Device Accessories



Series 7C7
Compressor Package
Request Publication 30.22



Series 753-E
Solenoid Actuator
Request Publication 30.63



Series 767 Electric/
Pneumatic Actuator
Request Publication 30.62



Series 776 Low
Pressure Actuator
(Standard in Europe and
Middle East)
Request Publication 30.65



Series 798 Double
Pneumatic Actuator
(For use with Series 769
FireLock preaction system
check valves only)
Request Publication 30.61



Series 746-LPA FireLock
Dry Accelerator
(For use with Series 776, 767,
and 798 actuators only)
Request Publication 30.64



Series 752 FireLock
Retard Chamber
(For use with Series 751 and
Series 759 FireLock alarm
check valves only)
Request Publication 30.31



Series 755
Manual Pull Station
Request Publication 30.41



Series 757 Air Maintenance
Trim Assembly
Request Publication 30.35



Series 757P Air Maintenance
Trim Assembly
Request Publication 30.36



Series 760 FireLock Water
Motor Alarm
Request Publication 30.32

FireLock Device Accessories

FireLock Automatic Sprinklers

Victaulic FireLock automatic sprinklers are designed to provide protection to almost any life/safety system. Victaulic FireLock automatic sprinklers are available with a wide range of finishes and temperature ratings and meet a variety of aesthetic and performance requirements, see pg. 8-4 for details.

Victaulic offers a complete line of accessories to meet almost any service need. Guards, shields, escutcheons, expansion and cover plates, are all designed to provide you with a single source for your next sprinkler project.

Delivery is another hallmark of Victaulic. Orders for dry sprinklers are usually delivered within five days of the receipt of the order, a standard that is unmatched in the industry.*

Request publication 40.01 for a complete listing of sprinklers.

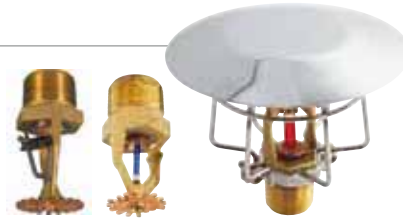
* Delivery times may vary.



Standard Commercial

Available in upright, pendent and sidewall configurations for most commercial applications.

SEE INDIVIDUAL LISTINGS FOR SPECIFIC PRODUCT APPROVALS, PGS. 8-5-8-6



Storage

Victaulic offers a full range of FireLock Storage sprinklers including the LP-46 Low Pressure Storage Sprinkler, Ordinary Hazard, Extended Coverage and Early Suppression/Fast Response (ESFR) styles for large storage areas.

SEE INDIVIDUAL LISTINGS FOR SPECIFIC PRODUCT APPROVALS, PG. 8-7



Extended Coverage

Our extended coverage sprinklers feature larger orifice sizes to provide added coverage when only normal water pressure is available. They are designed to produce a uniform, hemispherical spray pattern at 175 psi/1200 kPa and are designed for use in a variety of applications. Both standard and quick response models are available in a choice of finishes.

SEE INDIVIDUAL LISTINGS FOR SPECIFIC PRODUCT APPROVALS, PG. 8-8



Specific Applications

The model V2502 sprinkler is specifically designed to address combustible concealed horizontal spaces and is UL Listed for use with steel or CPVC piping systems.

SEE INDIVIDUAL LISTINGS FOR SPECIFIC PRODUCT APPROVALS, PG. 8-6

FireLock Automatic Sprinklers

Victaulic dry sprinklers are the fastest to market in the industry

Victaulic dry sprinklers can be customized to meet specific application requirements and can be provided in lengths to the nearest $\frac{1}{4}$ "/6 mm. Industry standard lead time for customized sprinklers is three weeks, however Victaulic can turn customized dry sprinklers around in as little as five days.

FOR MORE INFORMATION, SEE PGS.8-11–8-12



PRODUCTS

- 3-1 Couplings
- 4-1 Fittings
- 5-1 Hole Cut Piping System
- 6-1 Valves and Accessories
- 7-1 FireLock Automatic Devices and Accessories
- 8-1 FireLock Automatic Sprinklers**
- 9-1 Specialty Products
- 10-1 Pipe Preparation Tools
- 11-1 Product Index

Residential



Our low profile quick response residential sprinklers offer an ideal combination of safety and aesthetics and a variety of finishes and deflector styles. They are designed to meet the requirements of NFPA 13D and 13R occupancies. Depending on available operating pressure and room configuration, these FireLock sprinklers can be used in a variety of room conditions, including sloped ceilings.

SEE INDIVIDUAL LISTINGS FOR SPECIFIC PRODUCT APPROVALS, PG. 8-9

Decorative



Victaulic models V38 and V39 are concealed and available in a wide choice of standard and custom finishes. Installation is easy using a two-piece threaded mounting cup/cover plate with up to $\frac{1}{2}$ "/13 mm adjustability.

SEE INDIVIDUAL LISTINGS FOR SPECIFIC PRODUCT APPROVALS, PG. 8-10

Dry



Can be installed in wet or dry systems for areas exposed to freezing conditions. Designed with Belleville spring sealing mechanisms made of beryllium nickel. Features proprietary nickel Teflon* coating option and stainless steel escutcheons hydrostatically at 500 psi/3450 kPa. Available custom-made on a 5-day turnaround. Available escutcheons include a flush, sleeve and skirt, extended and recessed option for pendent and horizontal sidewall sprinklers.

SEE INDIVIDUAL LISTINGS FOR SPECIFIC PRODUCT APPROVALS, PGS. 8-11–8-12

Window Nozzle Sprinklers



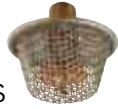
Our V1001-V1013 window nozzle sprinklers provide a water curtain against windows or other openings. These nozzles feature a solid brass body, and 180° flat, fan-shaped coverage.

SEE INDIVIDUAL LISTINGS FOR SPECIFIC PRODUCT APPROVALS, PG. 8-13

† Teflon is a registered trademark of Dupont Corporation.

FireLock Automatic Sprinklers

Foam Nozzle Sprinklers



The model V26 Open Foam Nozzle works with various foam compounds—A.F.F.F., fluoro-protein, protein and alcohol-type foam liquids.

SEE INDIVIDUAL LISTINGS FOR SPECIFIC PRODUCT APPROVALS, PG. 8-13

Open Spray Nozzles



Victaulic V12 Open Spray Nozzles are designed for directional spray applications in fixed fire protection systems. They are available in multiple orifice sizes and spray angles.

SEE INDIVIDUAL LISTINGS FOR SPECIFIC PRODUCT APPROVALS, PG. 8-13

Special Coatings



NICKEL-TEFLON* COATING

Victaulic offers a UL Listed corrosion resistant proprietary Nickel-Teflon coating for select FireLock automatic sprinklers.



WAX COATING

Victaulic sprinklers can be specially wax coated to ensure long life in potentially corrosive environments. Ask your Victaulic sales representative for further details.



Plain Brass finished Victaulic Sprinkler tested for 30 days in 20% salt fog and then rinsed in room temperature water agitator for 15 minutes.



Proprietary Nickel-Teflon coated Victaulic Sprinkler tested for 30 days in 20% salt fog and then rinsed in room temperature water agitator for 15 minutes.

* Teflon is a registered trademark of Dupont Corporation.

FireLock Automatic Sprinklers

Wrenches



Our open end socket style and recessed sprinkler wrenches are designed specifically for installing Victaulic sprinklers.

PG. 8-14

Accessories



SEE OUR FULL LINE OF ACCESSORIES ON PG. 8-14

Available Temperature Ratings

Victaulic Part Identification	Temperature – °F/°C		Sprinkler Temperature Classification	Glass Bulb Color	Solder Link Color
	Nominal Temp. Rating	Max. Ambient Temp. Allowed			
A #	135 57	100 38	Ordinary	Orange	—
C	155 68	—	—	Red	—
D*	165 74	100 38	Ordinary	—	—
E	175 79	150 65	Intermediate	Yellow	—
F	200 93	150 65	Intermediate	Green	—
G	212 100	150 65	Intermediate	—	Black with White Dot/ White Arms
J	286 141	225 107	High	Blue	Black with Blue Dot/Blue Arms
K	360 182	300 149	Extra High ‡	Purple	—
M	Open	—	‡	Open	Open
N	162 72	100 38	Ordinary	—	Black

‡ Standard response only.

138°F/59°C per LPCB

* Cover for use with a Standard or Quick Response Concealed Sprinkler 175°F/79°C or 200°F/93°F

IMPORTANT NOTES:

All glass bulbs are rated for temperatures from -67°F/-55°C up to those shown in adjacent table.

Not all temperatures are available with all styles of sprinklers. Consult individual submittal sheet for specific information.

Sprinkler Finishes

Victaulic Part Identification	Finish
1	Plain Brass
2	Chrome
4	White (RAL 9010)
5	Wax
8	Nickel/Teflon@
B	Black (RAL 9004)
G	Cream (RAL 9001)
—	Custom
W	Bright White (RAL 9003)

@ Teflon is a registered trademark of Dupont Corporation.



Our concealed cover plates can be matched to customer requested colors using our approved color chip chart. Ask your Victaulic sales representative about the hundreds of colors available.



FireLock Sprinklers – Standard Commercial


Standard Commercial


Note: Sprinkler approvals and listings can vary by model, temperature and finish. For complete regulatory information, consult the product submittal publication.

Model No./SIN	K-Factor Imp. S.I. §	Deflector Type	Response	Nom. Thread Size In. (NPT) mm	Temperature Rating	Coatings and Finishes	Approvals and Listings †	Sub. Pub.
					135° F/57° C	Plain Brass	UL	
					155° F/68° C	Chrome	ULC	
					162° F/72° C	White or Cream	FM	
					165° F/74° C	Wax	VdS	
					175° F/79° C	Nickel/Teflon	LPCB	
					200° F/93° C	Flat Black	CNBP	
					212° F/100° C	Custom	CCC	
					286° F/141° C	Bright White	VNIIP0	
					360° F/182° C			
					OPEN			


EUROPEAN PENDENT

Model No./SIN	K-Factor Imp. S.I. §	Deflector Type	Response	Nom. Thread Size In. (NPT) mm	Temperature Rating	Coatings and Finishes	Approvals and Listings †	Sub. Pub.																								
V27 FRAME 	5.6 8.1	Pendent	Standard	½ 15	135° F/57° C	155° F/68° C	162° F/72° C	165° F/74° C	175° F/79° C	200° F/93° C	212° F/100° C	286° F/141° C	360° F/182° C	OPEN	Plain Brass	Chrome	White or Cream	Wax	Nickel/Teflon	Flat Black	Custom	Bright White	cULds	UL	ULC	FM	VdS	LPCB	CNBP	CCC	VNIIP0	
					40.18																											
V34 FRAME 	5.6 8.1	Pendent	Quick	½ 15	135° F/57° C	155° F/68° C	162° F/72° C	165° F/74° C	175° F/79° C	200° F/93° C	212° F/100° C	286° F/141° C	360° F/182° C	OPEN	Plain Brass	Chrome	White or Cream	Wax	Nickel/Teflon	Flat Black	Custom	Bright White	cULds	UL	ULC	FM	VdS	LPCB	CNBP	CCC	VNIIP0	
					40.19																											
V3423	8.0 11.5	Pendent	Standard	¾ 20	135° F/57° C	155° F/68° C	162° F/72° C	165° F/74° C	175° F/79° C	200° F/93° C	212° F/100° C	286° F/141° C	360° F/182° C	OPEN	Plain Brass	Chrome	White or Cream	Wax	Nickel/Teflon	Flat Black	Custom	Bright White	cULds	UL	ULC	FM	VdS	LPCB	CNBP	CCC	VNIIP0	
V3424	8.0 11.5	Pendent	Quick	¾ 20	135° F/57° C	155° F/68° C	162° F/72° C	165° F/74° C	175° F/79° C	200° F/93° C	212° F/100° C	286° F/141° C	360° F/182° C	OPEN	Plain Brass	Chrome	White or Cream	Wax	Nickel/Teflon	Flat Black	Custom	Bright White	cULds	UL	ULC	FM	VdS	LPCB	CNBP	CCC	VNIIP0	

Model No./SIN	K-Factor Imp. S.I. §	Deflector Type	Response	Nom. Thread Size In. (NPT) mm	Temperature Rating	Coatings and Finishes	Approvals and Listings †	Sub. Pub.																													
V27 FRAME 	2.8 4.0	Upright	Standard	½ 15	135° F/57° C	155° F/68° C	162° F/72° C	165° F/74° C	175° F/79° C	200° F/93° C	212° F/100° C	286° F/141° C	360° F/182° C	OPEN	Plain Brass	Chrome	White or Cream	Wax	Nickel/Teflon	Flat Black	Custom	Bright White	cULds	UL	ULC	FM	VdS	LPCB	CNBP	CCC	VNIIP0						
					40.40																																
					V2702	2.8 4.0	Upright	Quick	½ 15	135° F/57° C	155° F/68° C	162° F/72° C	165° F/74° C	175° F/79° C	200° F/93° C	212° F/100° C	286° F/141° C	360° F/182° C	OPEN	Plain Brass	Chrome	White or Cream	Wax	Nickel/Teflon	Flat Black	Custom	Bright White	cULds	UL	ULC	FM	VdS	LPCB	CNBP	CCC	VNIIP0	
					V2705	2.8 4.0	Pendent	Standard	½ 15	135° F/57° C	155° F/68° C	162° F/72° C	165° F/74° C	175° F/79° C	200° F/93° C	212° F/100° C	286° F/141° C	360° F/182° C	OPEN	Plain Brass	Chrome	White or Cream	Wax	Nickel/Teflon	Flat Black	Custom	Bright White	cULds	UL	ULC	FM	VdS	LPCB	CNBP	CCC	VNIIP0	
					V2705	2.8 4.0	Recessed Pendent	Standard	½ 15	135° F/57° C	155° F/68° C	162° F/72° C	165° F/74° C	175° F/79° C	200° F/93° C	212° F/100° C	286° F/141° C	360° F/182° C	OPEN	Plain Brass	Chrome	White or Cream	Wax	Nickel/Teflon	Flat Black	Custom	Bright White	cULds	UL	ULC	FM	VdS	LPCB	CNBP	CCC	VNIIP0	
					V2706	2.8 4.0	Pendent	Quick	½ 15	135° F/57° C	155° F/68° C	162° F/72° C	165° F/74° C	175° F/79° C	200° F/93° C	212° F/100° C	286° F/141° C	360° F/182° C	OPEN	Plain Brass	Chrome	White or Cream	Wax	Nickel/Teflon	Flat Black	Custom	Bright White	cULds	UL	ULC	FM	VdS	LPCB	CNBP	CCC	VNIIP0	
V2706	2.8 4.0	Recessed Pendent	Quick	½ 15	135° F/57° C	155° F/68° C	162° F/72° C	165° F/74° C	175° F/79° C	200° F/93° C	212° F/100° C	286° F/141° C	360° F/182° C	OPEN	Plain Brass	Chrome	White or Cream	Wax	Nickel/Teflon	Flat Black	Custom	Bright White	cULds	UL	ULC	FM	VdS	LPCB	CNBP	CCC	VNIIP0						

Model No./SIN	K-Factor Imp. S.I. §	Deflector Type	Response	Nom. Thread Size In. (NPT) mm	Temperature Rating	Coatings and Finishes	Approvals and Listings †	Sub. Pub.																													
V24 FRAME 	4.2 6.1	Upright	Standard	¾ 30	135° F/57° C	155° F/68° C	162° F/72° C	165° F/74° C	175° F/79° C	200° F/93° C	212° F/100° C	286° F/141° C	360° F/182° C	OPEN	Plain Brass	Chrome	White or Cream	Wax	Nickel/Teflon	Flat Black	Custom	Bright White	cULds	UL	ULC	FM	VdS	LPCB	CNBP	CCC	VNIIP0						
					40.87																																
					V2402	4.2 6.1	Upright	Quick	¾ 30	135° F/57° C	155° F/68° C	162° F/72° C	165° F/74° C	175° F/79° C	200° F/93° C	212° F/100° C	286° F/141° C	360° F/182° C	OPEN	Plain Brass	Chrome	White or Cream	Wax	Nickel/Teflon	Flat Black	Custom	Bright White	cULds	UL	ULC	FM	VdS	LPCB	CNBP	CCC	VNIIP0	
					V2403	4.2 6.1	Pendent	Standard	¾ 30	135° F/57° C	155° F/68° C	162° F/72° C	165° F/74° C	175° F/79° C	200° F/93° C	212° F/100° C	286° F/141° C	360° F/182° C	OPEN	Plain Brass	Chrome	White or Cream	Wax	Nickel/Teflon	Flat Black	Custom	Bright White	cULds	UL	ULC	FM	VdS	LPCB	CNBP	CCC	VNIIP0	
V2404	4.2 6.1	Pendent	Quick	¾ 30	135° F/57° C	155° F/68° C	162° F/72° C	165° F/74° C	175° F/79° C	200° F/93° C	212° F/100° C	286° F/141° C	360° F/182° C	OPEN	Plain Brass	Chrome	White or Cream	Wax	Nickel/Teflon	Flat Black	Custom	Bright White	cULds	UL	ULC	FM	VdS	LPCB	CNBP	CCC	VNIIP0						

SPECIFIC APPLICATION

Model No./SIN	K-Factor Imp. S.I. §	Deflector Type	Response	Nom. Thread Size In. (NPT) mm	Temperature Rating	Coatings and Finishes	Approvals and Listings †	Sub. Pub.																								
	4.2 6.0	Upright	Quick	½ 15	135° F/57° C	155° F/68° C	162° F/72° C	165° F/74° C	175° F/79° C	200° F/93° C	212° F/100° C	286° F/141° C	360° F/182° C	OPEN	Plain Brass	Chrome	White or Cream	Wax	Nickel/Teflon	Flat Black	Custom	Bright White	cULds	UL	ULC	FM	VdS	LPCB	CNBP	CCC	VNIIP0	
					40.09																											

* UL Listed to 250psi, FM Approved to 175 psi.

§ For K-Factor when pressure is measured in Bar, multiply S.I. units by 10.0.

† Not all combinations of temperature ratings and wax finishes are Approved or Listed. Check specific submittals for combinations. V27 and V34 models are MEA (#62-99-E) and CSFM (#7690-0531.112) Approved.

Approved for use on sloped ceilings.

** Recessed pendent up to ½"/13 mm adjustment; For rooms 12 × 12 ft. to 20 × 20 ft./3.7 × 3.7 m to 6.1 × 6.1 m.

*** Recessed pendent up to ¼"/6 mm adjustment; For rooms 12 × 12 ft. to 18 × 18 ft./3.7 × 3.7 m to 5.5 × 5.5 m.

‡ Also available with Sealing Gasket for Clean Room Applications. Request publication 40.53.

All Victaulic sprinklers are available in British Standard Pipe Threads. Contact Victaulic for details.





FireLock Sprinklers – Dry

Dry

Note: Sprinkler approvals and listings can vary by model, temperature and finish. For complete regulatory information, consult the product submittal publication.

Model No./SIN	K-Factor Imp. S.I. §	Deflector Type	Response	Nom. Thread Size In. (NPT) mm	Temperature Rating								Coatings and Finishes						Approvals and Listings †						Sub. Pub.	
					135° F/57° C	155° F/68° C	162° F/72° C	165° F/74° C	175° F/79° C	200° F/93° C	212° F/100° C	286° F/141° C	360° F/182° C	OPEN	Plain Brass	Chrome	White or Cream	Wax	Nickel/Teflon	Flat Black	Custom	Bright White	cULus	UL		ULC

LIGHT HAZARD, ORDINARY HAZARD, STORAGE

V36 FRAME		Model No./SIN	K-Factor	Deflector Type	Response	Nom. Thread Size	135° F/57° C	155° F/68° C	162° F/72° C	165° F/74° C	175° F/79° C	200° F/93° C	212° F/100° C	286° F/141° C	360° F/182° C	OPEN	Plain Brass	Chrome	White or Cream	Wax	Nickel/Teflon	Flat Black	Custom	Bright White	cULus	UL	ULC	FM	VdS	LPCB	CNBOP	CCC	VNI/PO	Sub. Pub.	
	V3605	5.6 8.1	Pendent	Standard	1 25	•	•										•	•	•	•	•	•	•	•	•	•	•	•	•	•	•	•	•	40.60	
	V3605	5.6 8.1	Recessed Pendent	Standard	1 25	•	•										•	•	•	•	•	•	•	•	•	•	•	•	•	•	•	•	•	40.60	
	V3605	5.6 8.1	Intermediate Pendent	Standard	1 25	•	•										•	•	•	•	•	•	•	•	•	•	•	•	•	•	•	•	•	•	40.60
	V3606	5.6 8.1	Pendent	Quick	1 25	•	•										•	•	•	•	•	•	•	•	•	•	•	•	•	•	•	•	•	•	40.60
	V3606	5.6 8.1	Recessed Pendent	Quick	1 25	•	•										•	•	•	•	•	•	•	•	•	•	•	•	•	•	•	•	•	•	40.60
	V3606	5.6 8.1	Intermediate Pendent	Quick	1 25	•	•										•	•	•	•	•	•	•	•	•	•	•	•	•	•	•	•	•	•	40.60
	V3607	8.0 11.5	Pendent	Standard	1 25	•	•									•	•	•	•	•	•	•	•	•	•	•	•	•	•	•	•	•	•	40.61	
	V3607	8.0 11.5	Recessed Pendent	Standard	1 25	•	•									•	•	•	•	•	•	•	•	•	•	•	•	•	•	•	•	•	•	•	40.61
	V3607	8.0 11.5	Intermediate Pendent	Standard	1 25	•	•									•	•	•	•	•	•	•	•	•	•	•	•	•	•	•	•	•	•	•	40.61
	V3608	8.0 11.5	Pendent	Quick	1 25	•	•									•	•	•	•	•	•	•	•	•	•	•	•	•	•	•	•	•	•	•	40.61
	V3608	8.0 11.5	Recessed Pendent	Quick	1 25	•	•									•	•	•	•	•	•	•	•	•	•	•	•	•	•	•	•	•	•	•	40.61
	V3608	8.0 11.5	Intermediate Pendent	Quick	1 25	•	•									•	•	•	•	•	•	•	•	•	•	•	•	•	•	•	•	•	•	•	40.61
	V3601	5.6 8.1	Upright	Standard	1 25	•	•									•	•	•	•	•	•	•	•	•	•	•	•	•	•	•	•	•	•	40.62	
	V3602	5.6 8.1	Upright	Quick	1 25	•	•									•	•	•	•	•	•	•	•	•	•	•	•	•	•	•	•	•	•	•	40.62
	V3603	8.0 11.5	Upright	Standard	1 25	•	•									•	•	•	•	•	•	•	•	•	•	•	•	•	•	•	•	•	•	40.63	
	V3604	8.0 11.5	Upright	Quick	1 25	•	•									•	•	•	•	•	•	•	•	•	•	•	•	•	•	•	•	•	•	•	40.63

* UL Listed to 250psi, FM Approved to 175 psi.

§ For K-Factor when pressure is measured in Bar, multiply S.I. units by 10.0.

† Not all combinations of temperature ratings and wax finishes are Approved or Listed. Check specific submittals for combinations. V27 and V34 models are MEA (#62-99-E) and CSFM (#7690-0531.112) Approved.

Approved for use on sloped ceilings.

** Recessed pendent up to 1/2"/13 mm adjustment; For rooms 12 x 12 ft. to 20 x 20 ft./3.7 x 3.7 m to 6.1 x 6.1 m.

*** Recessed pendent up to 1/4"/6 mm adjustment; For rooms 12 x 12 ft. to 18 x 18 ft./3.7 x 3.7 m to 5.5 x 5.5 m.

‡‡ Also available with Sealing Gasket for Clean Room Applications. Request publication 40.53.

All Victaulic sprinklers are available in British Standard Pipe Threads. Contact Victaulic for details.






FireLock Sprinklers – Dry

Dry

Note: Sprinkler approvals and listings can vary by model, temperature and finish. For complete regulatory information, consult the product submittal publication.

Model No./SIN	K-Factor Imp. S.I. §	Deflector Type	Response	Nom. Thread Size In. (NPT) mm	Temperature Rating											Coatings and Finishes						Approvals and Listings †						Sub. Pub.
					135° F/57° C	155° F/68° C	162° F/72° C	165° F/74° C	175° F/79° C	200° F/93° C	212° F/100° C	286° F/141° C	360° F/182° C	OPEN	Plain Brass	Chrome	White or Cream	Wax	Nickel/Teflon	Flat Black	Custom	Bright White	cULus	UL	ULC	FM	Vds	

LIGHT HAZARD, ORDINARY HAZARD

V36 FRAME		Model No./SIN	K-Factor Imp. S.I. §	Deflector Type	Response	Nom. Thread Size In. (NPT) mm	135° F/57° C	155° F/68° C	162° F/72° C	165° F/74° C	175° F/79° C	200° F/93° C	212° F/100° C	286° F/141° C	360° F/182° C	OPEN	Plain Brass	Chrome	White or Cream	Wax	Nickel/Teflon	Flat Black	Custom	Bright White	cULus	UL	ULC	FM	Vds	LPCB	CNBP	CCC	VNI/PO	Sub. Pub.		
	V3609	5.6 8.1	Horizontal Sidewall	Standard	1 25	•	•									•	•	•	•	•	•	•	•	•	•	•	•	•	•	•	•	•	•	40.64		
	V3609	5.6 8.1	Recessed Horiz. Sidewall	Standard	1 25	•	•										•	•	•	•	•	•	•	•	•	•	•	•	•	•	•	•	•	•	40.64	
	V3610	5.6 8.1	Horizontal Sidewall	Quick	1 25	•	•										•	•	•	•	•	•	•	•	•	•	•	•	•	•	•	•	•	•	40.64	
	V3610	5.6 8.1	Recessed Horiz. Sidewall	Quick	1 25	•	•										•	•	•	•	•	•	•	•	•	•	•	•	•	•	•	•	•	•	40.64	
	V3611	8.0 11.5	Horizontal Sidewall	Standard	1 25	•	•									•	•	•	•	•	•	•	•	•	•	•	•	•	•	•	•	•	•	•	40.65	
	V3611	8.0 11.5	Recessed Horiz. Sidewall	Standard	1 25	•	•										•	•	•	•	•	•	•	•	•	•	•	•	•	•	•	•	•	•	40.65	
	V3612	8.0 11.5	Horizontal Sidewall	Quick	1 25	•	•										•	•	•	•	•	•	•	•	•	•	•	•	•	•	•	•	•	•	40.65	
	V3612	8.0 11.5	Recessed Horiz. Sidewall	Quick	1 25	•	•										•	•	•	•	•	•	•	•	•	•	•	•	•	•	•	•	•	•	40.65	
	V3617	5.6 8.1	Concealed Pendent	Standard	1 25	•	•									•	•	•	•	•	•	•	•	•	•	•	•	•	•	•	•	•	•	40.66		
	V3618	5.6 8.1	Concealed Pendent	Quick	1 25	•	•										•	•	•	•	•	•	•	•	•	•	•	•	•	•	•	•	•	•	40.66	
	V3619	8.0 11.5	Concealed Pendent	Standard	1 25	•	•	•	•							•	•	•	•	•	•	•	•	•	•	•	•	•	•	•	•	•	•	•	40.67	
	V3620	8.0 11.5	Concealed Pendent	Quick	1 25	•	•	•	•								•	•	•	•	•	•	•	•	•	•	•	•	•	•	•	•	•	•	•	40.67
V33 FRAME 	V3301	5.6 8.1	Concealed Pendent	Standard	1 25	•	•	•	•							•	•	•	•	•	•	•	•	•	•	•	•	•	•	•	•	•	•	•	40.68	
	V3302	5.6 8.1	Concealed Pendent	Quick	1 25	•	•	•	•								•	•	•	•	•	•	•	•	•	•	•	•	•	•	•	•	•	•	•	40.68
	V3303	8.0 11.5	Concealed Pendent	Standard	1 25	•	•	•	•								•	•	•	•	•	•	•	•	•	•	•	•	•	•	•	•	•	•	•	40.69
	V3304	8.0 11.5	Concealed Pendent	Quick	1 25	•	•	•	•								•	•	•	•	•	•	•	•	•	•	•	•	•	•	•	•	•	•	•	40.69

* UL Listed to 250psi, FM Approved to 175 psi.

§ For K-Factor when pressure is measured in Bar, multiply S.I. units by 10.0.

† Not all combinations of temperature ratings and wax finishes are Approved or Listed. Check specific submittals for combinations. V27 and V34 models are MEA (#62-99-E) and CSFM (#7690-0531.112) Approved.

Approved for use on sloped ceilings.

** Recessed pendent up to 1/2"/13 mm adjustment; For rooms 12 x 12 ft. to 20 x 20 ft./3.7 x 3.7 m to 6.1 x 6.1 m.

*** Recessed pendent up to 1/4"/6 mm adjustment; For rooms 12 x 12 ft. to 18 x 18 ft./3.7 x 3.7 m to 5.5 x 5.5 m.

‡ Also available with Sealing Gasket for Clean Room Applications. Request publication 40.53.

All Victaulic sprinklers are available in British Standard Pipe Threads. Contact Victaulic for details.

FireLock Automatic Sprinklers

Wrenches



Wrench Type	Wrench Model													
	Model V25	Model V26 Foam Nozzle	Model V27	Model V27-2	Model V29 Flush	Model V29-1	Model V33	Model V34	Model V36	Model V38-4	Model V38-5 Cabinet Socket	Model V39	Model V44	Model V46
OPEN END	●	●	●					●	●				●	●
RECESSED				●				●	●					
SOCKET					●	●	●			●	●			
FLUSH					●	●								
CONCEALED				●			●		●	●	●	●		

For Complete Information
Request Publication **40.80**

Accessories



SPRINKLER GUARDS

For Complete Information
Request Publication **40.83**



SPRINKLER STORAGE CABINET

For Complete Information
Request Publication **40.81**



EXPANSION PLATE

For Complete Information
Request Publication **40.84**

Specialty Products

For special fire protection applications, Victaulic delivers a variety of piping product solutions. From plain end HDPE, stainless steel and carbon steel, to grooved AWWA size ductile iron, carbon steel and stainless steel piping, whatever your need Victaulic has a full line of products to make the installation faster, easier and more economical.



Pressfit® Piping Stainless Systems

The Pressfit system is a small diameter, quick-connect piping system solution that delivers speed, economy and reliability to building owners, contractors, and specifying engineers. Pressfit delivers real on-the-job pipe joining advantages to fitters and installers – benefits that you won't find in standard threaded, welded or flanged systems.

The Pressfit stainless system is ideal for a wide variety of applications requiring the corrosion-resistant properties of stainless steel. Pressfit integrates well with larger stainless steel piping systems, especially those designed with Victaulic grooved end products.

Pressfit products are also offered in carbon steel for fire protection systems. Pressfit products are not designed for use on metric size piping systems.

For Complete Information Request Publications [18.01](#) and [18.02](#)

Note: Pressfit products are available for imperial pipe sizes only.



Plain End Piping Systems

The Victaulic plain end piping method is ideal for maintenance and repairs as well as new system installation. Roust-A-Bout® couplings and plain end fittings are UL and ULC Listed for fire protection services.

Victaulic plain end couplings are primarily designed for use on standard weight steel pipe (Schedule 40), but may be used on lightwall steel or other metallic pipe such as aluminum or stainless steel. No special pipe end preparation is necessary.

For Complete Information Request Publications [14.02](#) and [14.04](#)



HDPE Piping Systems

FM Approved for underground services, our HDPE couplings and flange adapters create a joint where the working pressure of the coupling meets or exceeds the rating of the pipe. Gripping teeth bite into the entire pipe circumference, and the joint is made secure by tightening down just four bolts and nuts.

For Complete Information Request Publications [19.02](#) – [19.04](#)

Specialty Products

Victaulic provides a variety of joining systems and materials for almost any fire protection application. Victaulic products are designed to meet the needs of the most demanding systems.

For the most up-to-date information on our specialty line of products please visit the Victaulic web site at www.victaulic.com.

PRODUCTS

- 3-1 Couplings
- 4-1 Fittings
- 5-1 Hole Cut Piping System
- 6-1 Valves and Accessories
- 7-1 FireLock Automatic Devices and Accessories
- 8-1 FireLock Automatic Sprinklers
- 9-1 Specialty Products**
- 10-1 Pipe Preparation Tools
- 11-1 Product Index



Copper Piping Systems

Grooved copper couplings, fittings and flange adapters designed for large diameter copper tubing, 2–8"/50–200mm. Table A and Y.

Copper couplings and fittings are UL/ULC Listed for fire protection services.

For Complete Information Request Publications **22.01 – 22.13**

DIN Standard DIN 1786 and British Standard Table X and Y, see Submittal Publication **22.11**

For Australian Standard Tables A, B and D, see Submittal Publication **22.10**



Stainless Steel Piping Systems

For fast, economical joining of Schedule 5, 10, 20, and 40 stainless steel pipe, you will find a complete line of roll or cut grooved stainless mechanical pipe joining products from Victaulic.

For Complete Information Request Publications **17.03 – 17.25**



AWWA Piping Systems for North America

Also ideal for underground services, our line of AWWA fittings and couplings easily transition from AWWA to IPS size pipe, and create secure joints with just two bolts versus the eight found in flanged systems.

AWWA fittings are UL/ULC Listed and FM Approved for underground fire protection services.

For Complete Information Request Publications **23.01 – 23.09**

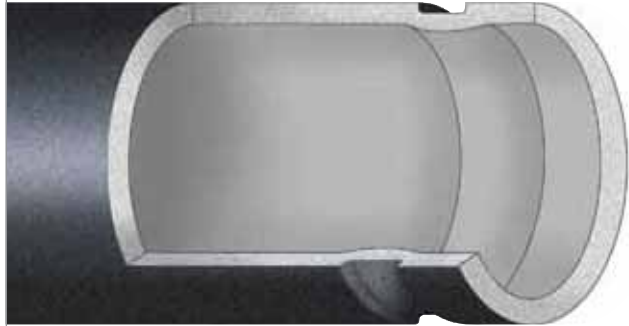
Pipe Preparation

Roll Groove

Victaulic was the first to develop roll grooving tools in the 1950's and continues to lead the industry in developing tools that make the job faster and easier to install.

Victaulic was the first company to receive approval for use of grooved pipe on fire protection systems.

Victaulic offers a variety of tools for pipe preparation, cutting holes, in-place repairs and system maintenance.



Roll groove shown on Schedule 40 steel pipe. The small dimple created on the interior pipe wall does not significantly affect pressure or flow.

Field Portable Roll Groovers

¾ – 2"
20 – 50 mm

VE12, PG. 10-3



2 – 6"
50 – 150 mm

VE26, PG. 10-3
POWER DRIVE KIT, PG. 10-3



3½ – 6"
90 – 150 mm

VE46, PG. 10-3
POWER DRIVE KIT, PG. 10-3



¾ – 6"
20 – 150 mm

VE226, PG. 10-3



Field Fabrication Roll Groovers

1¼ – 6"
32 – 150 mm

VE106, PG. 10-4



¾ – 12"
20 – 300 mm

VE270FSD, PG. 10-4



¾ – 12"
20 – 300 mm

VE272SFS, PG. 10-4



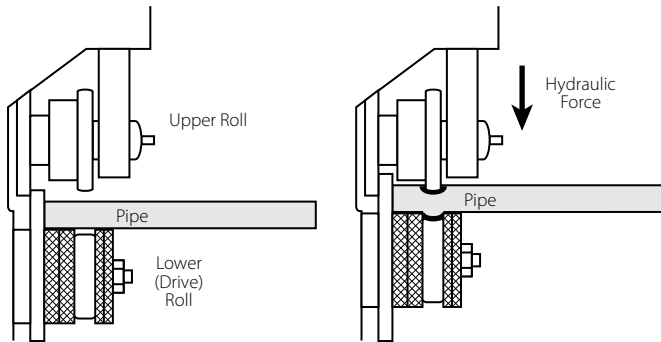
2 – 16"
50 – 400 mm

VE416SFD, PG. 10-4



Pipe Preparation

Roll Grooving Process



Vic-Easy tools cold form groove into pipe – maintains dimensions

Roll grooving removes no metal from pipe

PRODUCTS

- 3-1 Couplings
- 4-1 Fittings
- 5-1 Hole Cut Piping System
- 6-1 Valves and Accessories
- 7-1 FireLock Automatic Devices and Accessories
- 8-1 FireLock Automatic Sprinklers
- 9-1 Specialty Products

10-1 Pipe Preparation Tools

- 11-1 Product Index

Plant/Shop Fabrication Roll Groovers

$\frac{3}{4}$ – 12"/20 – 300 mm

VE268, PG. 10-5



Pressfit Tools

PFT505, PG. 10-5

PFT509, PG. 10-5

Available in North America only.



Hole Cutting Tools

HCT908, PG. 10-6

VHCT900, PG. 10-6

VIC-TAP® II, PG. 10-6



Accessories

Power Drive

VPD752, PG. 10-7



Adjustable Pipe Stands

VAPS112, PG. 10-7

VAPS224, PG. 10-7



Pipe Diameter Tape

PG. 10-7



Pipe Preparation

Field Portable

For Complete Information
Request Publication 24.01



VE12

VE12 GROOVE IN-PLACE

- For manual grooving of Schedule 5, 10 and 40 steel; stainless steel; aluminum and PVC pipe
- Enhanced tracking rolls allow bi-directional grooving
- Roll grooves $\frac{3}{4}$ –2"/20–50mm pipe†

Power Requirements: None

Weight: 17 lbs./8kg



VE26

VE26 GROOVE IN-PLACE

- Repair and retrofit existing lightwall steel, Schedule 40 steel, stainless steel, PVC, and aluminum
- Patented enhanced tracking rolls allow bi-directional grooving
- Model VE26C handles copper tubing (CTS) Types K, L, M and DWV plus British, DIN, and Australian Standard copper
- Model VE26SS grooves Schedule 5 and 10 stainless steel
- Optional power drive adapter kit available to alternately groove pipe using a Ridgid* 300 power drive or VPD752
- Roll grooves 2–6"/50–150mm pipe†

Power Requirements: None

Weight: 22 lbs./10kg

VE26/46 Power Drive Kit



The VE26/46 power drive kit is available to allow both tools to be directly mounted to either a Victaulic VPD752 or Ridgid* 300 Power Drive.



VE46

VE46 GROOVE IN-PLACE

- Designed for manually roll grooving Schedule 40 steel, aluminum, stainless steel and PVC pipe and Schedule 80 PVC pipe
- Patented enhanced tracking rolls allow bi-directional grooving and reduce pipe "walk-off"
- Optional power drive adapter kit available to alternately groove pipe using a Ridgid* 300 power drive or VPD752
- Roll grooves $3\frac{1}{2}$ –6"/90–150mm pipe†

Power Requirements: None

Weight: 28 lbs./13kg



VE226

VE226 portable groover

- Mounts to a Victaulic VPD752 or Ridgid* 300 power drive
- Optional alternate bases available
- Tool is operated using a standard $\frac{3}{8}$ "/9.5 mm square ratchet drive (not included)
- Available in six models for steel (and other IPS) pipe, copper tubing and stainless steel
- Roll grooves $\frac{3}{4}$ –6"/20–150mm pipe†

Drive Requirements: Fits Victaulic VPD752 or Ridgid 300 power drives.

Optional bases for Ridgid 535, 1224, 1822, and Oster 310 available.

Contact Victaulic for others.

Weight: 37 lbs./17 kg

† Refer to Roll Grooving Tool Ratings chart on pg. 11-8.

* Ridgid is a registered trademark of the Ridge Tool Company.

Pipe Preparation

Field Fabrication

For Complete Information
Request Publication 24.01



VE106

VE106 GROOVE-N-GO

- Mobile light-duty roll grooving tool with an integral motor/drive unit mounted to portable hand truck
- $\frac{3}{8}$ "/9.5 mm square ratchet drive for operation (standard)
- Patented enhanced tracking rolls reduce pipe "walk-off"
- Completely self-contained unit with an integral motor, safety foot switch and power plug
- Roll grooves $1\frac{1}{4}$ – $6\frac{1}{32}$ –150 mm pipe†

Power Requirements: VE106 is provided with 110volt, 15amp power.

Weight: 140 lbs./64 kg

Optional Accessories: Additional rolls/shafts are available for copper, lightwall stainless steel, and EndSeal (ES) grooving.



VE270FSD

VE270FSD

- Completely self-contained unit with integral gear motor, safety guards, safety foot switch and power cord/plug
- Equipped with a unique pivot arm design, making roll changing quick and easy, without removing shafts
- Patented enhanced tracking rolls reduce pipe "walk-off"
- Roll grooves $\frac{3}{4}$ – $12\frac{1}{20}$ –300 mm pipe†

Drive Requirements: Self-contained

Power Requirements: VE270FSD is provided with 110volt, 15amp power.

Weight: 340 lbs./154 kg

Optional Rolls: Carbon steel Schedules 5, 10, 20, and 40; copper rolls for type K, L, M and DWV; and stainless steel Rx rolls for Schedules 5S-10-10S.

Optional Accessories: An optional pipe stabilizer for 8– $12\frac{1}{200}$ –300 mm pipe is available.



VE272SFS

VE272SFS

- Portable roll groover mounts easily to the Victaulic VPD752 or Ridgid 300 power drive
- Hand pump operation with a unique pivot arm design reduces handle effort
- Patented enhanced tracking rolls reduce pipe "walk-off"
- Roll grooves $\frac{3}{4}$ – $12\frac{1}{20}$ –300 mm pipe†

Power Requirements: Victaulic VPD752 or Ridgid 300 power drive

Weight: 184 lbs./84 kg

Optional Rolls: Optional rolls are available for copper tubing; Schedule 5S, 10S, and 10 stainless steel pipe; and EndSeal (ES) grooving.



VE416FSD

VE416FSD

- For field roll grooving of 2– $16\frac{1}{50}$ –400 mm standard wall pipe, lightwall steel pipe, as well as aluminum, stainless and PVC plastic pipe
- Equipped with a pipe stabilizer for 6– $16\frac{1}{150}$ –400 mm pipe sizes to control pipe sway
- Groove depth adjuster provides precise groove dimensions and allows for easy adjustment for initial groove diameter
- Completely self-contained units with integral gear motors, safety foot switch and power cord/plug
- Roll grooves 2– $16\frac{1}{50}$ –400 mm pipe†

Power Requirements: 110volt, 15amp for integral gear motor (220volt, 8amp model available)

Weight: 340 lbs./154 kg

Optional Rolls: Optional rolls are available for drawn copper tubing; Schedule 80 PVC pipe; stainless steel Rx Schedules 5S, 10 and 10S; and EndSeal (ES) grooving. Roll sets also available for 14– $16\frac{1}{350}$ –400 mm std. wall carbon steel pipe for use with the AGS system.

† Refer to Roll Grooving Tool Ratings chart on pg. 10-8.

Pipe Preparation

Plant/Shop Fabrication

For Complete Information Request Publication 24.01



VE268

VE268

- Designed for fabrication shop roll grooving
- The fully-motorized, semi-automatic, electrohydraulic tool comes complete with safety guards and safety foot switch
- Equipped with a unique pivot arm design, making roll changes quick and easy, without removing shafts
- Patented enhanced tracking rolls reduce pipe “walk-off”
- Roll grooves $\frac{3}{4}$ –12”/20–300mm pipe†

Drive Requirements: Self-contained

Weight: 735lbs./333kg

Optional Rolls: Optional rolls are available for carbon steel Schedules 5, 10, and 40; copper rolls for type K, L, M and DWV; and stainless steel Rx rolls for Schedules 5S, 10, and 10S.

Optional Accessories: An optional pipe stabilizer for 8–12”/200–300mm pipe is available.

Pressfit Tool

For Complete Information Request Publication 24.01



PFT505



PFT505*

- The Pressfit System requires a Pressfit tool designed for securing Pressfit products onto pipe
- Tool packages include the actual pressing tool and any customer specified press jaws
- Jaws are available separately for rental or purchase
- Pressfit tool is designed for industrial and trade use only

Capacity: $\frac{1}{2}$ –2”/15–50mm IPS Schedule 5 steel and stainless steel pipe

Power Requirements: 110volt, 60cycle, 6.5amp power

Accessories: $\frac{1}{2}$ ”/15mm, $\frac{3}{4}$ ”/20mm, 1”/25mm, 1 $\frac{1}{2}$ ”/40mm and 2”/50mm jaws

Note: PFT505 and PFT509 components are not interchangeable



PFT509

PFT509*

- The Pressfit System requires a Pressfit tool designed for securing Pressfit products onto pipe
- Tool packages include the actual pressing tool, two (2) batteries and a charger, carrying case, and $\frac{1}{2}$ ”/15mm, $\frac{3}{4}$ ”/20mm, 1”/25mm and 1 $\frac{1}{2}$ ”/40mm
- Jaws are available separately for purchase
- Pressfit tool is designed for industrial and trade use only
- Pressfit tool is battery powered and requires a 12V battery charger

Capacity: $\frac{1}{2}$ –1 $\frac{1}{2}$ ”/15–40mm IPS Schedule 5 steel and stainless steel pipe

Power Requirements: 110volt, 60cycle, 6.5amp power

Note: PFT505 and PFT509 components are not interchangeable

† Refer to Roll Grooving Tool Ratings chart on pg.10-8.

* Available in North America only.

Pipe Preparation

Hole Cutting Tools

For Complete Information
Request Publication 24.01



HCT908

HCT908

- One-piece hole cutting tool designed to cut holes up to 4 ½"/120mm in carbon and stainless steel pipe
- Designed for use with Mechanical-T and Vic-Let outlets

Capacity: ½–4"/15–100mm pipe, 1–4 ½"/25–120 mm holes for Mechanical-T and Vic-Let

Power Requirements: 110volt, 1 phase, 60Hz, 7.0amp power

Weight: 23lbs./10kg



VHCT900

VHCT900

- Three-piece hole cutting tool designed to cut holes up to 3 ½"/90mm in diameter for Mechanical-T and Vic-Let outlets
- Base unit clamps quickly onto the pipe in vertical, horizontal or overhead positions
- Heavy-duty drill mounts to the alignment guides and a manual feed assembly provides uniform pressure on the saw for maximum cutting efficiency

Capacity: 1¼–8"/32–200mm pipe, 1–3 ½"/25–90mm holes for Mechanical-T and Vic-Let outlets

Power Requirements: VHCT900 is provided with grounded 120volt, 1 phase, 60Hz, 10amp power.

Weight: 36lbs./16kg

Accessories: Extended chain for 10–24"/250–600mm pipe



VIC-TAP II

- Hole cutting tool designed for use with Style 931 Vic-Tap II Mechanical-T unit for tapping into steel pipe systems under pressures up to 500psi/3450kPa

Capacity: Vic-Tap II 4–8"/100–200mm Run × 2 ½"/65mm (IPS) Outlet

Power Requirements: 115volt, 1 phase, 60Hz, 7.5amp

Weight:

(A) Drill guide base 15lbs./6.8kg

(B) Drill motor and feed assembly, total wgt. 16lbs./7.3kg

(C) Style 931/Valve unit, 12lb./5.4kg – 15lb./6.8kg, depending upon size

Hole Size: 2 ¾"/60.5mm

Pipe Preparation

Power Drive

VPD752

For Complete Information
Request Publication 24.01



- Can be used as the power drive unit for the VE26, VE46, VE226 and VE272SFS roll grooving tools, provided the tool is equipped with the correct base plate
- Operated with a safety foot switch

Capacity: See appropriate tool

Power Requirements: VPD752 is provided with 115 volts, 15 amp power, 50/60 Hz.

Weight: 140 lbs./634 kg

Adjustable Pipe Stand

VAPS112

For Complete Information
Request Publication 24.01



- Designed for supporting pipe to be roll grooved
- Four legged portable self-standing unit permits free pipe rotation and traversing on ball transfers
- Turnstile design allows pipe to be spun around for grooving of both pipe ends without dismounting pipe from stand

Capacity: ¾–12"/20–300 mm IPS pipe

Load Rating: 1075 lbs./490 kg

Vertical Stroke: 14½"/368 mm for adjusting rod, 8½"/216 mm leg adjustment, 23"/584 mm

Minimum Pipe Height from Floor:

23"/584 mm on 12"/300 mm pipe

21"/533 mm on 1"/25 mm pipe

Weight: 190 lbs./86 kg

Handle Effort Required to Raise 1075 lbs./490 kg Load: 50 lbs./23 kg maximum

Adjustable Pipe Stand

VAPS224

For Complete Information
Request Publication 24.01



- Designed specifically for supporting pipe to be roll grooved
- Self-standing heavy-duty unit permits free pipe rotation and traversing on ball transfers
- Ball transfers are mounted in a manner permitting use of pipe slings
- Turnstile design allows pipe to be spun around for grooving of both pipe ends without dismounting pipe from stand

Capacity: 2–24"/50–600 mm IPS pipe

Load Rating: 1800 lbs./816 kg

Vertical Stroke: 23"/584 mm

Minimum Pipe Height from Floor: 13"/325 mm on 24"/600 mm IPS pipe

Maximum Pipe Height from Floor: 38"/965 mm on 2"/50 mm IPS pipe

Weight: 260 lbs./118 kg

Handle Effort Required to Raise 1800 lbs./817 kg Load: 50 lbs./23 kg maximum

Pipe Diameter Tape

For Complete Information
Request Publication 24.01



- Pocket-sized steel tapes are available for taking circumferential measurements, marked in 1/100^{ths} of an inch increments
- Tapes may be used for measuring ¾–22"/20–550 mm pipe O.D. at the base of the groove (the "C" diameter)
- Tapes are notched on the lead end to allow proper overlap within the groove for more accurate measurement

Pipe Preparation

Vic-Easy® Roll Grooving Tool Ratings

(MAXIMUM CAPACITY)

Victaulic Vic-Easy roll grooving tools are designed to cold form grooves into the specified pipe to meet piping standards and groove dimensions specified in Victaulic Groove Specifications for each type of pipe.

These tools are designed for roll grooving pipe. To accomplish this function requires some dexterity and mechanical skills, as well as sound safety habits. Although tools are manufactured for safe dependable operation, it is impossible to anticipate those combinations of circumstances which could result in an accident. The operator is cautioned to always practice "Safety First" during each phase of use, including setup and maintenance of these units.

Read and understand the Tool Operating and Maintenance Instruction Manual provided with each tool before operating or performing maintenance on tools. Become familiar with the tool's operations, applications and limitations. Be particularly aware of its specific hazards.

Note: Vic-Easy tools and rolls shown on this chart will produce grooves in accordance with Victaulic Roll Groove Dimension charts and to ANSI/AWWA C-606 standards.

Tool Model	Pipe Material	Pipe Size/Schedule Inches/mm														
		¾ 20	1 25	1¼ 32	1½ 40	2 50	2½ 65	3 80	3½ 90	4 100	4½ 120	5 125	6 150	8 200	10 250	12 300
VE12	Steel	5, 10		5 – 40												
	Stainless	40S only														
VE26S	Steel					5 – 40			5, 10							
	Stainless	40S only														
VE26C	Copper	K, L, M, DWV Copper Rolls ‡														
VE26SS	Lt. Wall SS	5S, 10S Rx Rolls #														
VE46	Steel					5 – 40			5, 10							
	Stainless	40S only														
VE226S	Steel					5 – 40			5, 10							
	Stainless	40S only														
VE226B	Steel	5 – 40														
	Stainless	40S only														
VE226M	Steel					5 – 40			5, 10							
	Stainless	40S only														
VE226C	Copper	K, L, M, DWV Copper Rolls ‡														
VE226BSS	Lt. Wall SS	5S, 10S Rx Rolls #														
VE226MSS	Lt. Wall SS	5S, 10S Rx Rolls #														
VE106	Steel					5 – 40 Standard Rolls §										
	Stainless					40S Standard Rolls §										
	Lt. Wall SS					5S, 10S Rx Rolls #										
	Copper					K, L, M, DWV Copper Rolls ‡										
VE270FSD	Steel	5 – 40S Standard Rolls §												5 – 20 Std.		
	Stainless	40S Standard Rolls §														
	Lt. Wall SS	5S, 10S Rx Rolls #														
	Copper					K, L, M, DWV Copper Rolls ‡										
VE272SFS	Steel	5 – 40S Standard Rolls §												5 – 20 Std.		
	Stainless	40S Standard Rolls §														
	Lt. Wall SS	5S, 10S Rx Rolls #														
	Copper					K, L, M, DWV Copper Rolls ‡										
VE416FSD Standard Groove	Steel	5 – 40S Standard Rolls §												5 – 20 Std. Wall**		
	Stainless	40S Standard Rolls §												Std. Wall Only**		
	Lt. Wall SS	5S, 10S Rx Rolls #														
	Copper					K, L, M, DWV Copper Rolls ‡										
VE268	Steel	5 – 40S Standard Rolls §												5 – 20 Std. Rolls §		
	Stainless	5 – 40S Standard Rolls §														
	Lt. Wall SS	5S, 10S Rx Rolls #														
	Copper					K, L, M, DWV Copper Rolls ‡										

@ Does not apply to 6"/150mm Schedule 40 size.

* 2"/50mm Schedule 80 with RP rolls.

Rx Rolls – "Rx" is the Victaulic part code designator for grooving roll sets specifically designed for roll grooving lightwall stainless steel pipe.

‡ Alternate units are available for European Standard (EN) 1057 and Australian Standard Copper.

§ Standard Rolls – This is the Victaulic designation for grooving roll sets used primarily for steel pipe. Also used for Schedule 40S stainless steel pipe.

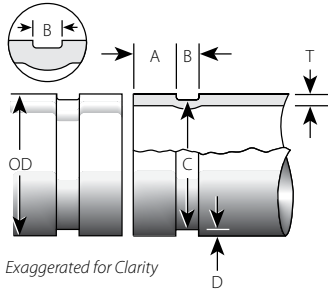
** Standard Wall (0.375"/9.5mm)

Pipe Preparation

Groove Dimensions

ROLL GROOVE SPECIFICATIONS NOTES

For Complete Information Request Publication 25.01



GROOVE DIMENSION NOTES:

Column 1: Nominal IPS Pipe Size

Column 2: IPS Pipe Outside Diameter

The average pipe outside diameter must not vary from the specifications listed in the tables on the following pages. Maximum allowable pipe ovality should not vary by more than 1%. Greater variations between the major and minor diameters will result in difficult coupling assembly. For IPS pipe, the maximum allowable tolerance from square-cut pipe ends is 0.030"/0.8 mm for 3/4 - 3 1/2"/20 - 90 mm sizes; 0.045"/1.1 mm for 4 - 6"/100 - 150 mm sizes; and 0.060"/1.5 mm for 8"/200 mm and larger sizes. This is measured from the true square line. Any internal and external weld beads or seams must be ground flush to the pipe surface. The inside diameter of the pipe end must be cleaned to remove coarse scale, dirt, and other foreign material that might interfere with or damage grooving rolls.

Column 3: Gasket Seat "A" Dimension

The "A" dimension, or the distance from the pipe end to the groove, identifies the gasket seating area. This area must be free from indentations, projections (including weld seams), and roll marks from the pipe end to the groove to ensure a leak-tight seal for the gasket. All oil, grease, and dirt must be removed.

Column 4: Groove Width "B" Dimension

The "B" dimension, or groove width, controls expansion, contraction, and angular deflection of flexible couplings by the distance it is located from the pipe and its width in relation to the coupling housings' "key" width.

Column 5: Groove Outside Diameter "C" Dimension

The "C" dimension is the proper diameter at the base of the groove. This dimension must be within the diameter's tolerance and concentric with the OD for proper coupling fit. The groove must be of uniform depth for the entire pipe circumference.

Column 6: Groove Depth "D" Dimension

The "D" dimension is the normal depth of the groove and is a reference for a "trial groove" only. Variations in pipe OD affect this dimension and must be altered, if necessary, to keep the "C" dimension within tolerance. This groove must conform to the "C" dimension described above.

Column 7: Minimum Allowable Wall Thickness "T" Dimension

The "T" dimension is the lightest grade (minimum, nominal wall thickness) of pipe that is suitable for cut or roll grooving. Pipe that is less than the minimum, nominal wall thickness for cut grooving may be roll grooved or adapted for Victaulic couplings by using Vic-Ring adapters. Vic-Ring adapters can be used in the following situations (contact Victaulic Company for details):

- When the pipe is less than the minimum, nominal wall thickness suitable for roll grooving
- When the pipe outside diameter is too large to roll or cut groove
- When the pipe is used in abrasive services

Column 8: Maximum Allowable Pipe-End Flare Diameter "F" Dimension (Standard Roll Groove Only)

Maximum allowable pipe-end flare diameter is measured at the extreme pipe-end diameter.

STANDARD ROLL GROOVE SPECIFICATIONS - STEEL AND OTHER IPS PIPE @ †

1 Nominal Size Inches mm	2		3		4		5		6 D Groove Depth ref.	7 T Minimum Allow. Wall Thk.	8 Maximum Allow. Flare Diameter
	Pipe Outside Diameter O.D.		A Gasket Seat ± 0.03 ± 0.76	B Grv. Width ± 0.03 ± 0.76	Groove Diameter C						
	Basic	Tolerance + -			Basic	Tol. +0.000 +0.00					
3/4 20	1.050 26.9	+0.010 +0.25	-0.010 -0.25	0.625 15.88	0.281 7.14	0.938 23.83	-0.015 -0.38	0.056 1.42	0.065 1.65	1.15 29.2	
1 25	1.315 33.7	+0.013 +0.33	-0.013 -0.33	0.625 15.88	0.281 7.14	1.190 30.23	-0.015 -0.38	0.063 1.60	0.065 1.65	1.43 36.3	
1 1/4 32	1.660 42.4	+0.016 +0.41	-0.016 -0.41	0.625 15.88	0.281 7.14	1.535 38.99	-0.015 -0.38	0.063 1.60	0.065 1.65	1.77 45.0	
1 1/2 40	1.900 48.3	+0.019 +0.48	-0.019 -0.48	0.625 15.88	0.281 7.14	1.775 45.09	-0.015 -0.38	0.063 1.60	0.065 1.65	2.01 51.1	
2 50	2.375 60.3	+0.024 +0.61	-0.024 -0.61	0.625 15.88	0.344 8.74	2.250 57.15	-0.015 -0.38	0.063 1.60	0.065 1.65	2.48 63.0	
2 1/2 65	2.875 73.0	+0.029 +0.74	-0.029 -0.74	0.625 15.88	0.344 8.74	2.720 69.09	-0.018 -0.46	0.078 1.98	0.083 2.11	2.98 75.7	
76.1 mm	3.000 76.1	+0.030 +0.76	-0.030 -0.76	0.625 15.88	0.344 8.74	2.845 72.26	-0.018 -0.46	0.078 1.98	0.083 2.11	3.10 78.7	
3 80	3.500 88.9	+0.035 +0.89	-0.031 -0.79	0.625 15.88	0.344 8.74	3.344 84.94	-0.018 -0.46	0.078 1.98	0.083 2.11	3.60 91.4	
3 1/2 90	4.000 101.6	+0.040 +1.02	-0.031 -0.79	0.625 15.88	0.344 8.74	3.834 97.38	-0.020 -0.51	0.083 2.11	0.083 2.11	4.10 104.1	
4 100	4.500 114.3	+0.045 +1.14	-0.031 -0.79	0.625 15.88	0.344 8.74	4.334 110.08	-0.020 -0.51	0.083 2.11	0.083 2.11	4.60 116.8	
108.0 mm	4.250 108.0	+0.043 +1.09	-0.031 -0.79	0.625 15.88	0.344 8.74	4.084 103.73	-0.020 -0.51	0.083 2.11	0.083 2.11	4.35 110.5	
4 1/2 120	5.000 127.0	+0.050 +1.27	-0.031 -0.79	0.625 15.88	0.344 8.74	4.834 122.78	-0.020 -0.51	0.083 2.11	0.095 2.41	5.10 129.5	
5 125	5.563 141.3	+0.056 +1.42	-0.031 -0.79	0.625 15.88	0.344 8.74	5.395 137.03	-0.022 -0.56	0.084 2.13	0.109 2.77	5.66 143.8	
133.0 mm	5.250 133.0	+0.053 +1.35	-0.031 -0.79	0.625 15.88	0.344 8.74	5.084 129.13	-0.020 -0.51	0.083 2.11	0.109 2.77	5.35 135.9	
139.7 mm	5.500 139.7	+0.056 +1.42	-0.031 -0.79	0.625 15.88	0.344 8.74	5.334 135.48	-0.020 -0.51	0.083 2.11	0.109 2.77	5.60 142.2	
6 150	6.625 168.3	+0.063 +1.60	-0.031 -0.79	0.625 15.88	0.344 8.74	6.455 163.96	-0.022 0.56	0.085 2.16	0.109 2.77	6.73 170.9	
152.4 mm	6.000 152.4	+0.056 +1.42	-0.031 -0.79	0.625 15.88	0.344 8.74	5.830 148.08	-0.022 -0.56	0.085 2.16	0.109 2.77	6.10 154.9	
159.0 mm	6.250 159.0	+0.063 +1.60	-0.031 -0.79	0.625 15.88	0.344 8.74	6.032 153.21	-0.030 -0.46	0.109 2.77	0.109 2.77	6.35 161.3	
165.1 mm	6.500 165.1	+0.063 +1.60	-0.031 -0.79	0.625 15.88	0.344 8.74	6.330 160.78	-0.022 -0.56	0.085 2.16	0.109 2.77	6.60 167.6	
8 200	8.625 219.1	+0.063 +1.60	-0.031 -0.79	0.750 19.05	0.469 11.91	8.441 214.40	-0.025 -0.64	0.092 2.34	0.109 2.77	8.80 223.5	
203.2 mm	8.000 203.2	+0.063 +1.60	-0.031 -0.79	0.750 19.05	0.469 11.91	7.816 198.53	-0.025 -0.64	0.092 2.34	0.109 2.77	8.17 207.5	
10 250	10.750 273.0	+0.063 +1.60	-0.031 -0.79	0.750 19.05	0.469 11.91	10.562 268.28	-0.027 -0.69	0.094 2.39	0.134 3.40	10.92 277.4	
254.0 mm	10.000 254.0	+0.063 +1.60	-0.031 -0.79	0.750 19.05	0.469 11.91	9.812 249.23	-0.027 -0.69	0.094 2.39	0.134 3.40	10.17 258.3	
12 300	12.750 323.9	+0.063 +1.60	-0.031 -0.79	0.750 19.05	0.469 11.91	12.531 318.29	-0.030 -0.76	0.109 2.77	0.156 3.96	12.92 328.2	

@ Always refer to the I-100 handbook for current grooving specifications.

† On roll grooved pipe, Allowable Pipe End Separation and Deflection from center line will be 1/2 values listed for cut grooved pipe.

IMPORTANT NOTES:

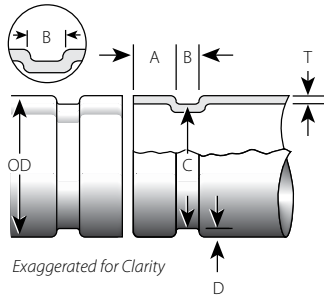
Coatings applied to the interior surfaces, including bolt pad mating surfaces, of our grooved and bolted plain end couplings should not exceed 0.010"/0.25 mm. Also, the coating thickness applied to the gasket seating surface and within the groove on the pipe exterior should not exceed 0.010"/0.25 mm.

Pipe Preparation

Groove Dimensions

COPPER TUBING ROLL GROOVE SPECIFICATIONS NOTES

For Complete Information
Request Publication 25.01



COPPER TUBING ROLL GROOVE SPECIFICATIONS @

1 Nominal Size Inches mm	2 Actual Outer Diameter		3 A Gasket Seat ± 0.03 ± 0.76	4 B Grv. Width +0.03/-0.00 -0.76/-0.00	5 C Grv. Diameter +0/-0.020 +0/-0.5	6 D Groove Depth ref.	7 T Minimum Allow. Wall Thick.	8 Maximum Allow. Flare Diameter
	Basic Inches mm	Tolerance Inches mm						
2 50	2.125 54.0	±0.002 ±0.05	0.610 15.5	0.300 7.6	2.209 51.5	0.048 1.2	DWV	2.220 56.4
2½ 65	2.625 66.7	±0.002 ±0.05	0.610 15.5	0.300 7.6	2.525 64.1	0.050 1.2	0.065 1.7	2.720 69.1
3 80	3.125 79.4	±0.002 ±0.05	0.610 15.5	0.300 7.6	3.025 76.8	0.050 1.2	DWV	3.220 81.8
4 100	4.125 104.8	±0.002 ±0.05	0.610 15.5	0.300 7.6	4.019 102.1	0.053 1.4	DWV	4.220 107.2
5 125	5.125 130.2	±0.002 ±0.05	0.610 15.5	0.300 7.6	4.999 127.0	0.053 1.4	DWV	5.220 132.6
6 150	6.125 155.6	±0.002 ±0.05	0.610 15.5	0.300 7.6	5.999 152.3	0.063 1.6	DWV	6.220 158.0
8 200	8.125 206.4	±0.002/-0.004 ±0.05/-0.10	0.610 15.5	0.300 7.6	7.959 202.2	0.083 2.1	DWV	8.220 208.8

@ Always refer to the I-600 handbook for current grooving specifications.

GROOVE DIMENSION NOTES:

Column 1: Nominal ASTM B-88 drawn copper tubing size as indicated in the chart heading

Column 2: Outside Diameter

The outside diameter of roll grooved tubing shall not vary more than the tolerance listed. The maximum allowable tolerance from square cut ends is 0.030"/0.8 mm for 2–3"/50–80 mm; 0.045"/1.1 mm for 4–6"/100–150 mm, measured from true square line.

Column 3: Gasket Seat

The tubing surface shall be free from indentations, roll marks, and projections from the end of the tubing to the groove, to provide a leak-tight seat for the gasket. All loose scales, dirt, chips and grease must be removed.

Column 4: Groove Width

Bottom of groove to be free of loose dirt, chips and scale that may interfere with proper coupling assembly.

Column 5: Groove Outside Diameter

The groove must be uniform depth for the entire tubing circumference. Groove must be maintained within the "C" diameter tolerance listed.

Column 6: Groove Depth

For reference only. Groove must conform to the groove diameter "C" listed.

Column 7: Minimum Allowable Wall Thickness "T" Dimension

ASTM B-306 drain waste and vent (DWV) is minimum wall thickness copper tubing which may be roll grooved. In Australia, Victaulic products can connect CN 50, Tables A, B and D pipe.

Column 8: Maximum Allowable End Flare Diameter

Measured at the most extreme tubing end diameter.

Product Index

Model No.	Product Description	Page No.	Publ. No.
SECTION 3: COUPLINGS			
Style 009	FireLock EZ Rigid Coupling	3-3	10.60
Style 009V	FireLock EZ Rigid Coupling (Europe only)	3-3	10.60
Style 005	FireLock Rigid Coupling	3-4	10.02
Style 07	Zero-Flex Rigid Coupling	3-5	06.02
Style 77	Standard Flexible Coupling	3-6	06.04
Style 75	Flexible Coupling	3-7	06.05
Style 750	Reducing Coupling	3-8	06.08
Style 744	FireLock Flange Adapter ANSI Class 150	3-9	10.04
Style 741	Vic-Flange Adapter ANSI Class 150	3-10	06.06
Style 743	Vic-Flange Adapter ANSI Class 300	3-10	06.06
Style 72	Outlet Coupling	3-11	06.10
Style HP-70	Rigid Coupling	3-12	06.12
Style 791	Vic-Boltless Coupling	3-12	06.11
Style 792	Vic-Boltless Assembly Tool	3-12	06.11
SECTION 4: FITTINGS			
No. 001	FireLock 90° Elbow	4-2	10.03
No. 003	FireLock 45° Elbow	4-2	10.03
No. 002	FireLock Straight Tee	4-2	10.03
No. 006	FireLock Cap	4-2	10.03
No. 10-DR	Drain Elbow	4-3	10.05
No. 27	Standpipe Tee	4-3	07.01
No. 67	Vic-End II End of Run Elbow	4-3	10.21
No. 10	90° Elbow	4-4	07.01
No. 11	45° Elbow	4-4	07.01
No. 20	Tee	4-4	07.01
No. 60	Cap	4-4	07.01
SECTION 5: HOLE CUT PIPING SYSTEM			
Style 920	Mechanical-T Bolted Branch Outlet	5-2	11.02
Style 920N	Mechanical-T Bolted Branch Outlet	5-2	11.02
Style 920	Mechanical-T Bolted Branch Outlet Cross	5-5	11.03
Style 920N	Mechanical-T Bolted Branch Outlet Cross	5-5	11.03
Style 912	FireLock Low-Profile Sprinkler-T	5-9	10.53
Style 922	FireLock Outlet-T	5-10	10.52
Style 923	Vic-Let Strapless Outlet	5-11	11.06
SECTION 6: VALVES AND ACCESSORIES			
VALVES			
Series 705	FireLock Butterfly Valve – Supervised OPEN	6-3	10.18
Series 765	FireLock HP Butterfly Valve - Supervised OPEN	6-4	10.80
Series 707C	FireLock Butterfly Valve – Supervised CLOSED	6-5	10.75
Series 766	FireLock HP Butterfly Valve - Supervised CLOSED	6-6	10.83
Series 717	FireLock Check Valve	6-7	10.08
Series 717R	FireLock Riser Check Valve	6-8	10.09
Series 771H	OS & Y Gate Valve (Grv. x Grv.)	6-9	10.92
Series 771F	OS & Y Gate Valve (Grv. x Flange)	6-9	10.92
Series 772H	NRS Gate Valve (Grv. x Grv.)	6-9	10.92
Series 772F	NRS Gate Valve (Grv. x Flange)	6-9	10.92
Series 773	NRS Gate Valve Wall Post	6-10	10.92
Series 774	NRS Gate Valve Upright Indicator Post	6-10	10.92

Model No.	Product Description	Page No.	Publ. No.
SECTION 6: VALVES AND ACCESSORIES			
ACCESSORIES			
Series 728	FireLock Ball Valve	6-11	10.17
Series 247	FireLock Residential Zone Control Riser Module	6-12	30.83
Series 747M	FireLock Zone Control Riser Module	6-13	10.96
Series 720	TestMaster II Alarm Test Module	6-14	10.22
Series 735	Fire Pump Test Meter	6-15	10.11
SECTION 7: FIRELOCK AUTOMATIC DEVICES & ACCESSORIES			
DEVICES			
Series 768	FireLock NXT Dry System Check Valve	7-3	30.80
Series 769	FireLock NXT Deluge System Check Valve	7-4	30.81
Series 769	FireLock NXT Preaction System Check Valve	7-5	30.82
Series 764	FireLock NXT Alt Wet/Dry System Check Valve	7-8	30.83
Series 751	FireLock Alarm Check Valve	7-10	30.01
Series 751	FireLock European Alarm Check Valve Station	7-11	30.01
Series 745	FireLock Fire-Pac	7-12	30.23
ACCESSORIES			
—	Vic-Quick Riser Trim Kit	7-9	—
Series 7C7	Compressor Package	7-15	30.22
Series 746-LPA	Dry Accelerator	7-15	30.64
Series 752	Retard Chamber	7-15	30.31
Series 753-E	Solenoid Actuator	7-15	30.63
Series 755	Manual Pull Station	7-15	30.41
Series 757	Air Maintenance Trim Assembly	7-15	30.35
Series 757P	Air Maintenance Trim Assembly	7-15	30.36
Series 760	Water Motor Alarm	7-15	30.32
Series 767	Electric/Pneumatic Actuator	7-15	30.62
Series 776	Low Pressure Actuator	7-15	30.65
Series 798	Double Pneumatic Actuator	7-15	30.61

Product Index

Model No.	Product Description	Deflector Type	Response Category	Page No.	Publ. No.
SECTION 8: FIRELOCK AUTOMATIC SPRINKLERS					
STANDARD COMMERCIAL					
V2703	K 5.6, ½" NPT	Upright	Standard	8-5	40.10
V2707	K 5.6, ½" NPT	Pendent/Recessed Pendent	Standard	8-5	40.10
V2704	K 5.6, ½" NPT	Upright	Quick	8-5	40.10
V2708	K 5.6, ½" NPT	Pendent/Recessed Pendent	Quick	8-5	40.10
V2709	K 5.6, ½" NPT	Horizontal Sidewall/Recessed Horizontal Sidewall	Standard	8-5	40.11
V2710	K 5.6, ½" NPT	Horizontal Sidewall/Recessed Horizontal Sidewall	Quick	8-5	40.11
V3401	K 8.0, ¾" NPT	Upright	Standard	8-5	40.15
V3405	K 8.0, ¾" NPT	Pendent/Recessed Pendent	Standard	8-5	40.15
V3402	K 8.0, ¾" NPT	Upright	Quick	8-5	40.15
V3406	K 8.0, ¾" NPT	Pendent/Recessed Pendent	Quick	8-5	40.15
V3409	K 8.0, ¾" NPT	Horizontal Sidewall/Recessed Horizontal Sidewall	Standard	8-5	40.16
V3410	K 8.0, ¾" NPT	Horizontal Sidewall/Recessed Horizontal Sidewall	Quick	8-5	40.16
V2725	K 5.6, ½" NPT	Conventional	Standard	8-5	40.17
V2726	K 5.6, ½" NPT	Conventional	Quick	8-5	40.17
V2727	K 5.6, ½" NPT	VdS Pendent (Europe only)	Standard	8-6	40.18
V2728	K 5.6, ½" NPT	VdS Pendent (Europe only)	Quick	8-6	40.18
V3423	K 8.0, ¾" NPT	VdS Pendent (Europe only)	Standard	8-6	40.19
V3424	K 8.0, ¾" NPT	VdS Pendent (Europe only)	Quick	8-6	40.19
V2701	K 2.8, ½" NPT	Upright	Standard	8-6	40.40
V2702	K 2.8, ½" NPT	Upright	Quick	8-6	40.40
V2705	K 2.8, ½" NPT	Pendent/Recessed Pendent	Standard	8-6	40.40
V2706	K 2.8, ½" NPT	Pendent/Recessed Pendent	Quick	8-6	40.40
V2401	K 4.2/6.1 S.I.	Pendent	Standard	8-6	40.87
V2402	K 4.2/6.1 S.I.	Upright	Standard	8-6	40.87
V2403	K 4.2/6.1 S.I.	Pendent	Standard	8-6	40.87
V2404	K 4.2/6.1 S.I.	Upright	Standard	8-6	40.87
SPECIFIC APPLICATION					
V2502	K 4.2, ½" NPT	Upright	Quick	8-6	40.09
STORAGE					
V4601	K 25.2, 1" NPT (LP-46 CMSA)	Pendent	Standard	8-6	40.95
V4603	K 25.2, 1" NPT (LP-46 CMSA)	Upright	Standard	8-6	40.98
V4402	K 14.0, ¾" NPT (ESFR)	Pendent	Fast	8-6	40.82
V4404	K 14.0, ¾" NPT (ESFR)	Pendent	Fast	8-6	40.86
V3407	K 11.2, ¾" NPT	Pendent	Standard	8-7	40.20
V3403	K 11.2, ¾" NPT	Upright	Standard	8-7	40.20
V3408	K 11.2, ¾" NPT	Pendent	Quick	8-7	40.20
V3404	K 11.2, ¾" NPT	Upright	Quick	8-7	40.20
V2723	K 5.6, ½" NPT	Pendent	Standard	8-7	40.22
V2721	K 5.6, ½" NPT	Upright	Standard	8-7	40.22
V2724	K 5.6, ½" NPT	Pendent	Quick	8-7	40.22
V2722	K 5.6, ½" NPT	Upright	Quick	8-7	40.22
V3419	K 8.0, ¾" NPT	Pendent	Standard	8-7	40.23
V3417	K 8.0, ¾" NPT	Upright	Standard	8-7	40.23
V3420	K 8.0, ¾" NPT	Pendent	Quick	8-7	40.23
V3418	K 8.0, ¾" NPT	Upright	Quick	8-7	40.23
EXTENDED COVERAGE					
V3411	K 11.2, ¾" NPT (ECLH)	Pendent/Recessed Pendent	Standard	8-8	40.30
V3412	K 11.2, ¾" NPT (ECLH)	Pendent/Recessed Pendent	Quick	8-8	40.30
V3413	K 14.0, ¾" NPT (ECLH)	Pendent/Recessed Pendent	Standard	8-8	40.31
INDEX CONTINUED ON PG. 11-3					



Product Index

Model No.	Product Description	Deflector Type	Response Category	Page No.	Publ. No.
SECTION 8: FIRELOCK AUTOMATIC SPRINKLERS					
EXTENDED COVERAGE (CONTINUED)					
V3414	K 14.0, ¾" NPT (ECLH)	Pendent/Recessed Pendent	Quick	8-8	40.31
V3415	K 8.0, ¾" NPT (ECLH)	Horizontal Sidewall/Recessed Horizontal Sidewall	Standard	8-8	40.33
V3416	K 8.0, ¾" NPT (ECLH)	Horizontal Sidewall/Recessed Horizontal Sidewall	Quick	8-8	40.33
V3421	K 14.0, ¾" NPT (ECOH)	Pendent/Recessed Pendent	Standard	8-8	40.34
RESIDENTIAL					
V2738	K 4.2, ½" NPT	Horizontal Sidewall/Recessed Horizontal Sidewall	Quick	8-9	40.54
V2730	K 4.9, ½" NPT	Pendent/Recessed Pendent	Quick	8-9	40.41
V2732	K 4.9, ½" NPT	Pendent/Recessed Pendent	Quick	8-9	40.41
V2734	K 4.9, ½" NPT	Concealed Pendent	Quick	8-9	40.42
V2736	K 4.9, ½" NPT	Concealed Pendent	Quick	8-9	40.42
V2740	K 4.9, ½" NPT	Pendent/Recessed Pendent	Quick	8-9	40.47
V2742	K 4.9, ½" NPT	Concealed Pendent	Quick	8-9	40.52
V2744	K 5.6, ½" NPT	Horizontal Sidewall/Recessed Horizontal Sidewall	Quick	8-9	40.49
V3426	K 6.9, ¾" NPT	Pendent/Recessed Pendent	Quick	8-9	40.48
V3806	K 5.6, ½" NPT	Concealed Pendent	Quick	8-9	40.43
DECORATIVE					
V2902	K 4.1, ½" NPT	Pendent	Quick	8-10	40.44
V3801	K 5.6, ½" NPT	Adjustable Concealed Pendent and Cover Plate	Standard	8-10	40.50
V3807	K 5.6, ½" 300psi	Adjustable Concealed Pendent and Cover Plate	Standard	8-10	40.55
V3808	K 5.6, ½" 300psi	Adjustable Concealed Pendent and Cover Plate	Quick	8-10	40.55
V3802	K 5.6, ½" NPT	Adjustable Concealed Pendent and Cover Plate	Quick	8-10	40.50
V3904	K 8.0, ¾" NPT (ECLH)	Adjustable Concealed Pendent	Quick	8-10	40.71
DRY					
V3605	K 5.6, 1" NPT	Pendent/Recessed Pendent/Intermediate Pendent	Standard	8-11	40.60
V3606	K 5.6, 1" NPT	Pendent/Recessed Pendent/Intermediate Pendent	Quick	8-11	40.60
V3607	K 8.0, 1" NPT	Pendent/Recessed Pendent/Intermediate Pendent	Standard	8-11	40.61
V3608	K 8.0, 1" NPT	Pendent/Recessed Pendent/Intermediate Pendent	Quick	8-11	40.61
V3601	K 5.6, 1" NPT	Upright	Standard	8-11	40.62
V3602	K 5.6, 1" NPT	Upright	Quick	8-11	40.62
V3603	K 8.0, 1" NPT	Upright	Standard	8-11	40.63
V3604	K 8.0, 1" NPT	Upright	Quick	8-11	40.63
V3609	K 5.6, 1" NPT	Horizontal Sidewall/Recessed Horizontal Sidewall	Standard	8-12	40.64
V3610	K 5.6, 1" NPT	Horizontal Sidewall/Recessed Horizontal Sidewall	Quick	8-12	40.64
V3611	K 8.0, 1" NPT	Horizontal Sidewall/Recessed Horizontal Sidewall	Standard	8-12	40.65
V3612	K 8.0, 1" NPT	Horizontal Sidewall/Recessed Horizontal Sidewall	Quick	8-12	40.65
V3617	K 5.6, 1" NPT	Concealed Pendent	Standard	8-12	40.66
V3618	K 5.6, 1" NPT	Concealed Pendent	Quick	8-12	40.66
V3619	K 8.0, 1" NPT	Concealed Pendent	Standard	8-12	40.67
V3620	K 8.0, 1" NPT	Concealed Pendent	Quick	8-12	40.67
V3301	K 5.6, 1" NPT	Concealed Pendent	Standard	8-12	40.68
V3302	K 5.6, 1" NPT	Concealed Pendent	Quick	8-12	40.68
V3303	K 8.0, 1" NPT	Concealed Pendent	Standard	8-12	40.69
V3304	K 8.0, 1" NPT	Concealed Pendent	Quick	8-12	40.69
NOZZLES					
V1001 – V1013	K 1.4 – K 11.5	Open Spray Window Sprinkler	Open	8-13	40.72
V1201 – V1278	K 1.2 – K 7.2	65° – 180°	Open	8-13	40.96
V2601	K 2.8	Foam Nozzle	Open	8-13	40.73
V2603	K 5.6	Foam Nozzle	Open	8-13	40.73
SPRINKLER WRENCHES AND ACCESSORIES, PG. 8-18					

Product Index

Warranty

Model No.	Product Description	Page No.	Publ. No.
SECTION 9: SPECIALITY PRODUCTS			
SEE PGS. 9-1-9-2 FOR PUBLICATION NUMBERS			
SECTION 10: PIPE PREPARATION TOOLS			
ROLL GROOVING TOOLS			
VE12	Groove In-Place – Steel	10-3	24.01
VE26	Groove In-Place	10-3	24.01
VE46	Groove In-Place	10-3	24.01
VE106	Groove-N-Go (110 volt, 15 amp)	10-4	24.01
VE226	Portable Roll Groover	10-3	24.01
VE270FSD	Field Roll Groover (110 volt, 15 amp)	10-4	24.01
VE272SFS	Field Roll Groover	10-4	24.01
VE416FSD	Field Roll Groover	10-4	24.01
VE268	Plant/Shop Fabrication Roll Groover	10-5	24.01
PRESSFIT TOOLS			
PFT505	Pressfit Tool	10-5	24.01
PFT509	Pressfit Tool (Battery Operated)	10-5	24.01
PIPE CUTTING TOOLS			
HCT908	Hole Cutting Tool	10-6	24.01
VHCT900	Vic Hole Cutting Tool (120 volt, 10 amp)	10-6	24.01
Vic-Tap II	Hole Cutting Tool	10-6	24.01
ACCESSORIES			
VPD752	Power Drive (115 volt, 5 amp)	10-7	24.01
VAPS112	Small Pipe Stand	10-7	24.01
VAPS224	Heavy Duty Pipe Stand	10-7	24.01
Pipe Tape	Diameter Tape	10-7	24.01

We warrant all products to be free from defects in materials and workmanship under normal conditions of use and service. Our obligation under this warranty is limited to repairing or replacing at our option at our factory any product which shall within one year after delivery to original buyer be returned with transportation charges prepaid, and which our examination shall show to our satisfaction to have been defective.

THIS WARRANTY IS MADE EXPRESSLY IN LIEU OF ANY OTHER WARRANTIES, EXPRESS OR IMPLIED, INCLUDING ANY IMPLIED WARRANTY OF MERCHANTABILITY OR FITNESS FOR A PARTICULAR PURPOSE. THE BUYER'S SOLE AND EXCLUSIVE REMEDY SHALL BE FOR THE REPAIR OR REPLACEMENT OF DEFECTIVE PRODUCTS AS PROVIDED HEREIN. THE BUYER AGREES THAT NO OTHER REMEDY (INCLUDING, BUT NOT LIMITED TO, INCIDENTAL OR CONSEQUENTIAL DAMAGES FOR LOST PROFITS, LOST SALES, INJURY TO PERSON OR PROPERTY OR ANY OTHER INCIDENTAL OR CONSEQUENTIAL LOSS) SHALL BE AVAILABLE TO HIM.

Victaulic Company neither assumes nor authorizes any person to assume for it any other liability in connection with the sale of such products.

This warranty shall not apply to any product which has been subject to misuse, negligence or accident, which has been repaired or altered in any manner outside of the Victaulic factory or which has been used in a manner contrary to instructions or recommendations provided by Victaulic Company. Victaulic Company shall not be responsible for design errors due to inaccurate or incomplete information supplied by Buyer or its representatives.

Items purchased by Victaulic and resold will have the original equipment manufacturer's warranty extended to Victaulic customers.

Effective August 4, 2008

All products shall be installed in accordance with current Victaulic installation/assembly instructions. Victaulic Company reserves the right to change product specifications, designs and standard equipment without notice and without incurring obligations.

Product Index

Product Index

Applications

Piping. Systems. Solutions.

Victaulic offers a broad, innovative fire protection product line that has been designed to meet tight timeline challenges and expectations of world-class quality and performance.

This commitment to quality and performance, bundled with prompt product delivery, superior customer and engineering support, and ease of installation and maintenance make Victaulic products the preferred choice for fire protection professionals worldwide.



The Victaulic FireLock NXT valve line saves space and requires less room for installation than most competitive valves.



Victaulic valves have a single set point that allow for a smaller compressor and easier initial set-up.





Victaulic provides a complete line of valves, couplings, fittings and specialty products for all sizes of fire pumps.



A full line of fire protection devices for alarm, dry, deluge and preaction sprinkler systems.



Victaulic FireLock sprinklers are designed to protect a wide range of spaces including large storage areas.



The new installation-ready FireLock EZ coupling reduces the time required to install systems by up to 60%.

www.victaulic.com

Piping. Systems. Solutions.

www.victaulic.com

The Victaulic website is an information resource that can help you with your piping projects. Among the many resources available at the site:

- Fully searchable product and project databases
- Free product submittals and literature available in 11 languages
- Piping software demos and modules
- Information on new product innovations
- Support services, and more...



VICTAULIC GLOBAL CONTACT INFORMATION

US & WORLD HEADQUARTERS

P.O. Box 31
Easton, PA 18044-0031 USA

4901 Kesslersville Road
Easton, PA 18040 USA

1-800-PICK-VIC
(+1-800-742-5842)
(within North America)
+1-610-559-3300
+1-610-250-8817 (fax)
pickvic@victaulic.com

CANADA

123 Newkirk Road
Richmond Hill, ON L4C 3G5
+1-905-884-7444
+1-905-884-9774 (fax)
viccanada@victaulic.com

CENTRAL AND SOUTH AMERICA

P.O. Box 31
Easton, PA 18044-0031 USA

4901 Kesslersville Road
Easton, PA 18040 USA

+1-610-559-3300
+1-610-559-3608 (fax)
vical@victaulic.com

UNITED KINGDOM

Units B1 & B2, SG1 Industrial Park
Cockerell Close
Gunnels Wood Road
Stevenage
Hertfordshire, SG1 2NB (UK)
+44-(0)-1438-310-690
+44-(0)-1438-310-699 (fax)
0124-60219 (direct to Ireland
within the UK)
viceuro@victaulic.be

EUROPE

Prijkelstraat 36
9810 Nazareth, Belgium
+32-9-381-15-00
+32-9-380-44-38 (fax)
viceuro@victaulic.be

MIDDLE EAST

P.O. Box 17683
Unit XB 8
Jebel Ali Free Zone
Dubai
United Arab Emirates
+971-4-883-88-70
+971-4-883-88-60 (fax)

ASIA

Unit 06-10, Floor 3A
A Mansion 291 Fumin Road
Shanghai, China 200031
+86-21-6170-1222
+86-21-6170-1221 (fax)
vicap@victaulic.com

AUSTRALIA AND NEW ZEALAND

7 Chambers Road
Unit 1
Altona North, Victoria
Australia 3025

1-300-PIC-VIC
(+1-300-742-842)
(within Australia)
+61-39392-4000
+61-39399-9905 (fax)
vicaust@victaulic.com

www.victaulic.com



WCAS-7S7NUF

UPDATED 6/2009
G-105 3567 REV E

VICTAULIC IS A REGISTERED TRADEMARK OF VICTAULIC COMPANY. © 2009 VICTAULIC COMPANY. ALL RIGHTS RESERVED.

